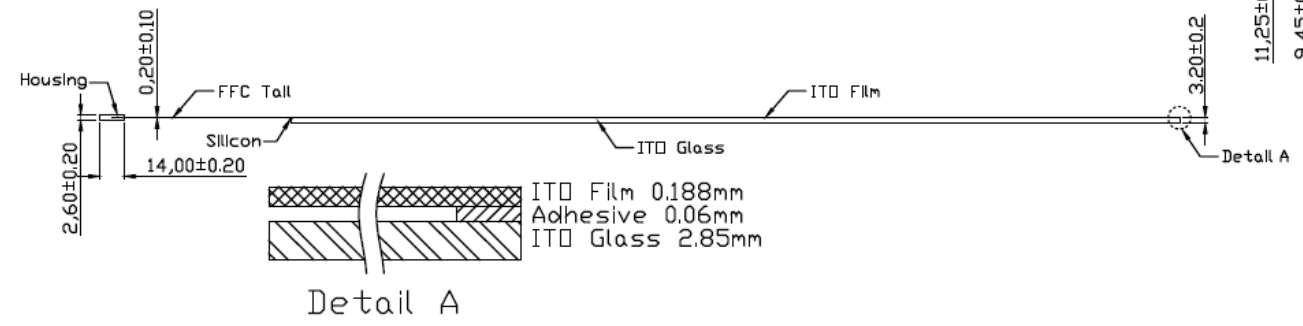



Connector Pinout	
Pin NO.	Designation
1	UR
2	LR
3	SG
4	UL
5	LL



瞄準科技有限公司 AIM TOUCH TECHNOLOGY CO.,LTD.	DATE : 2013/08/07	Part Number	ITO Film Type	Glass Type	Glass Thickness	Finished Part Thickness
	 WWW.AIMTOUCH.COM	MODEL : AIM-5R-2150-M01	AIM-5R-2150-M01-G2N	ANTI GLARE	high temperature strengthen	1.85mm
AIM-5R-2150-M01-G25N			ANTI GLARE	chemical strengthen	2.5mm	2.8mm±0.2
AIM-5R-2150-M01-G3N			ANTI GLARE	high temperature strengthen	2.85mm	3.2mm±0.2

NOTE : All indications are the millimeters.