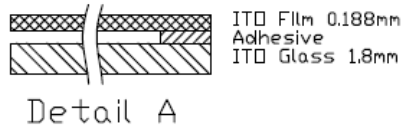
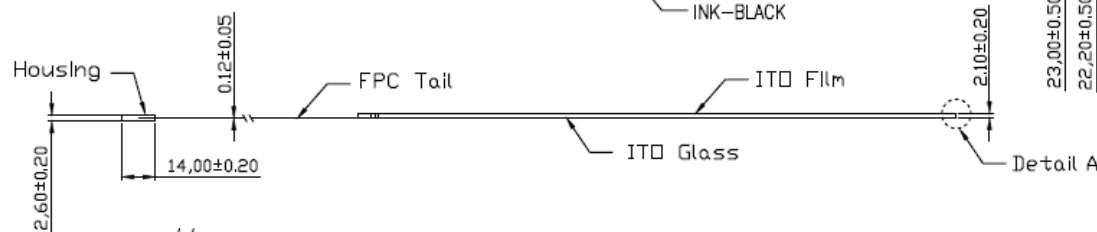
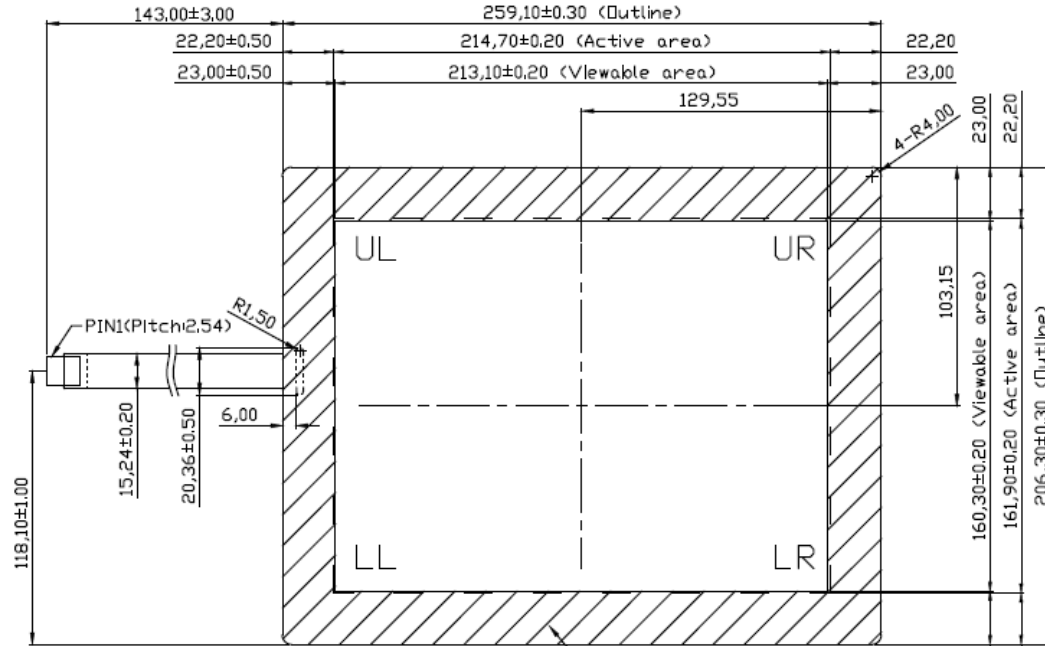
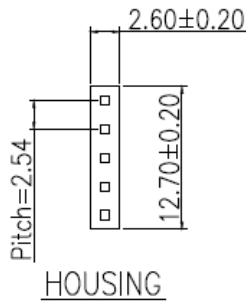


# TOP VIEW

Connector Pinout	
Pin NO.	Designation
1	UR
2	LR
3	SG
4	UL
5	LL



**NOTES:**

- Optical Specifications:
  - 1.1 Transparency: 80±3%
  - 1.2 Hazer: 8±3% (Anti Glare)
- Electrical Specifications:
  - 2.1 Loop resistance X: 20Ω~500Ω, Y: 20Ω~500Ω
  - 2.2 Voltage endurance DC 50V/60sec.
  - 2.3 Linearity deviation X ≤ 1.5%, Y ≤ 1.5%
  - 2.4 Insulation resistance ≥ 20MΩ/25VDC

瞄準科技有限公司 AIM TOUCH TECHNOLOGY CO.,LTD.	DATE : 2017/02/20	Part Number	ITO Film Type	Glass Type	Glass Thickness	Finished Part Thickness
	MODEL :	AIM-5R-1040-M39-G2N-TW	ANTI GLARE	high temperature strengthen	1.8mm	2.1mm±0.2



NOTE : All indications are the millimeters.