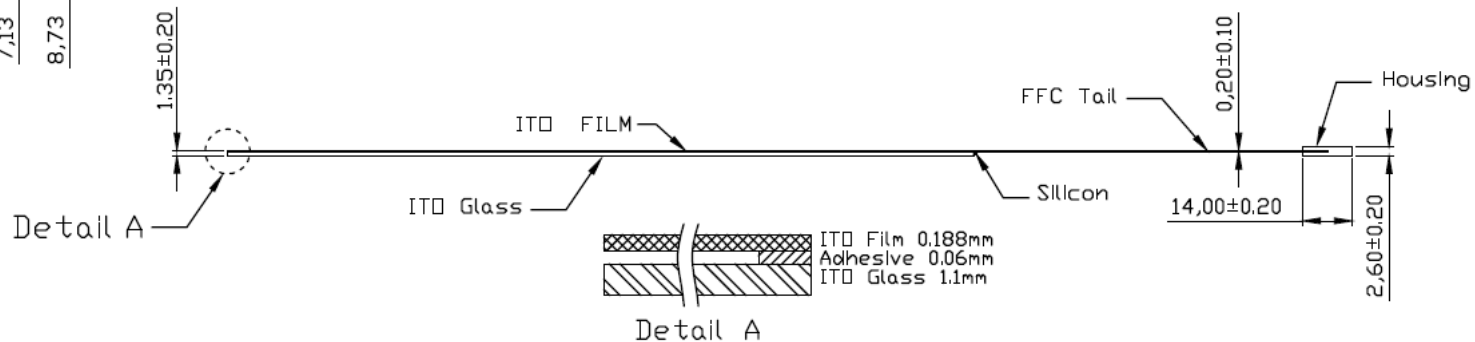



Connector Pinout	
Pin NO.	Designation
1	LL
2	UL
3	SG
4	LR
5	UR



瞄準科技有限公司 AIM TOUCH TECHNOLOGY CO.,LTD.	DATE : 2013/09/14	Part Number	ITO Film Type	Glass Type	Glass Thickness	Finished Part Thickness
	 WWW.AIMTOUCH.COM	MODEL : AIM-5R-0900-M02	AIM-5R-0900-M02-G1N	ANTI GLARE	high temperature strengthen	1.1mm
AIM-5R-0900-M02-G16N			ANTI GLARE	chemical strengthen	1.6mm	1.9mm±0.2
AIM-5R-0900-M02-G2N			ANTI GLARE	high temperature strengthen	1.85mm	2.2mm±0.2

NOTE : All indications are the millimeters.