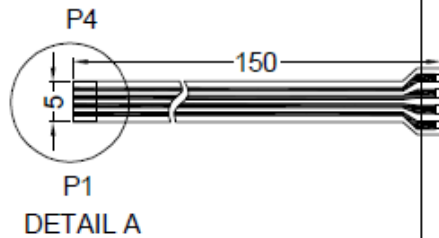
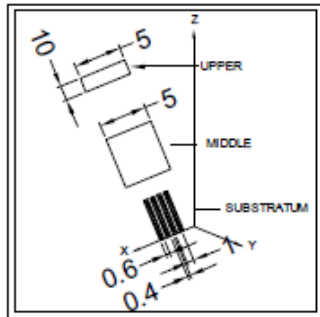


NOTE:

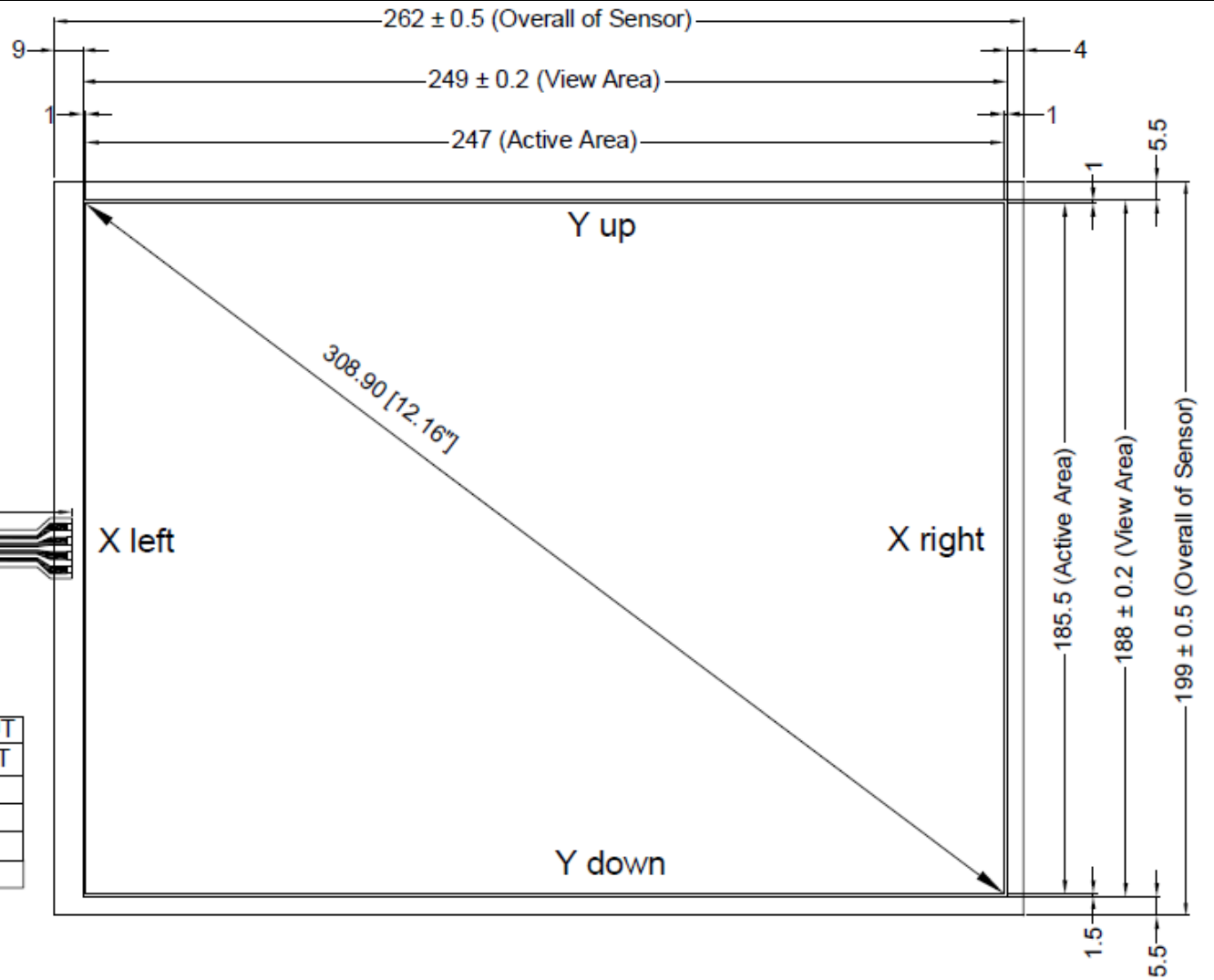
1. CABLE IS ATTACHED TO THE LEFT SIDE OF TOUCH PANEL AT CENTER POINT AS SHOWN.
2. FPC TAIL CONNECTOR: PITCH 1.00mm
3. ITO FILM IS ANTI-NEWTON RING TYPE.
4. FPC CONTACT AT LOWER SIDE.
5. FPC TAIL: 0.1 mm IN THICKNESS.
6. FPC CONNECTOR: 0.3 mm IN THICKNESS.




DETAIL A



CONNECTOR PINOUT	
PIN NO	ASSIGNMENT
1	X right
2	Y down
3	X left
4	Y up



瞄準科技有限公司 AIM TOUCH TECHNOLOGY CO.,LTD.	DATE : 2011/03/03	Part Number	ITO Film Type	Glass Type	Glass Thickness	Finished Part Thickness
	MODEL : AIM-4R-1210-A06	AIM-4R-1210-A06-G1N	ANTI GLARE	General	1.1mm	1.4mm±0.2
 WWW.AIMTOUCH.COM		AIM-4R-1210-A06-G2N	ANTI GLARE	General	1.8mm	2.1mm±0.2
		AIM-4R-1210-A06-G3N	ANTI GLARE	General	2.8mm	3.1mm±0.2

NOTE : All indications are the millimeters.