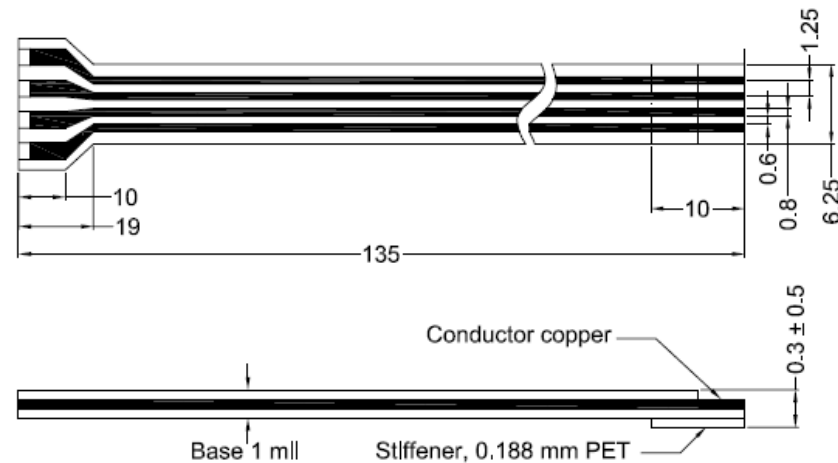
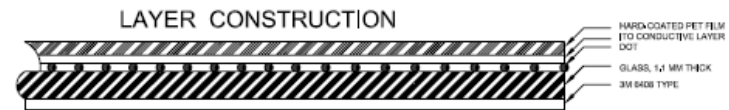
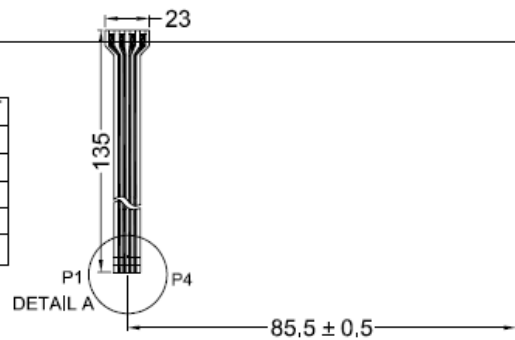


- NOTE:
- 1.CABLE IS ATTACHED TO THE DOWN SIDE OF TOUCH POINT AS SHOWN.
  - 2.FPC TAIL CONNECTOR;PITCH 1.25 mm.
  - 3.ITO FILM IS ANTI-NEWTON RING TYPE.
  - 4.USE 3M 6408 TYPE.



CONNECTOR PINOUT	
PIN NO	ASSIGNMENT
1	X left
2	Y down
3	X right
4	Y up



瞄準科技有限公司 AIM TOUCH TECHNOLOGY CO.,LTD.	DATE : 2010/01/04	Part Number	ITO Film Type	Glass Type	Glass Thickness	Finished Part Thickness
	MODEL : AIM-4R-0800-A03	AIM-4R-0800-A03-G1N	ANTI GLARE	General	1.1mm	1.7mm±0.2



NOTE : All indications are the millimeters.