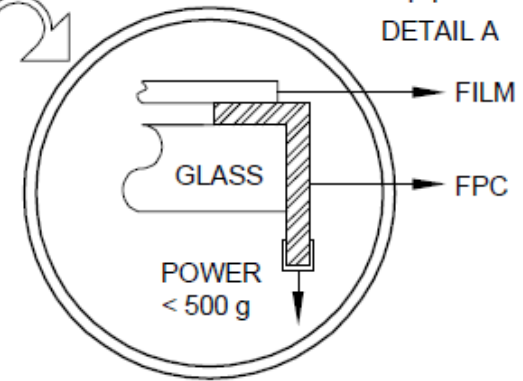
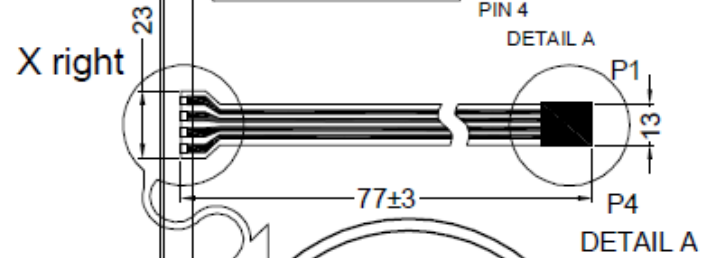
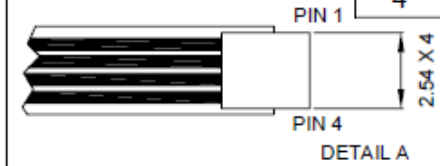



- NOTE:
- 1.CABLE IS ATTACHED TO THE RIGHT SIDE OF TOUCH PANEL AT CENTER POINT AS SHOWN.
  - 2.FPC TAIL CONNECTOR:PITCH 2.54mm.
  - 3.ITO FILM IS ANTI-NEWTON RING.

CONNECTOR PINOUT	
PIN NO	ASSIGNMENT
1	Y up
2	X right
3	Y down
4	X left



瞄準科技有限公司 AIM TOUCH TECHNOLOGY CO.,LTD.	DATE : 2012/12/12	Part Number	ITO Film Type	Glass Type	Glass Thickness	Finished Part Thickness
	MODEL :	AIM-4R-0700-A07-G0N	ANTI GLARE	General	0.7mm	1.0mm±0.2
 WWW.AIMTOUCH.COM	AIM-4R-0700-A07	AIM-4R-0700-A07-G1N	ANTI GLARE	General	1.1mm	1.4mm±0.2
		AIM-4R-0700-A07-G2N	ANTI GLARE	General	1.8mm	2.1mm±0.2

NOTE : All indications are the millimeters.