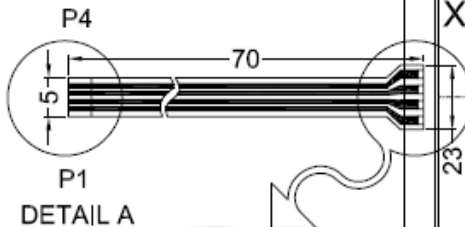


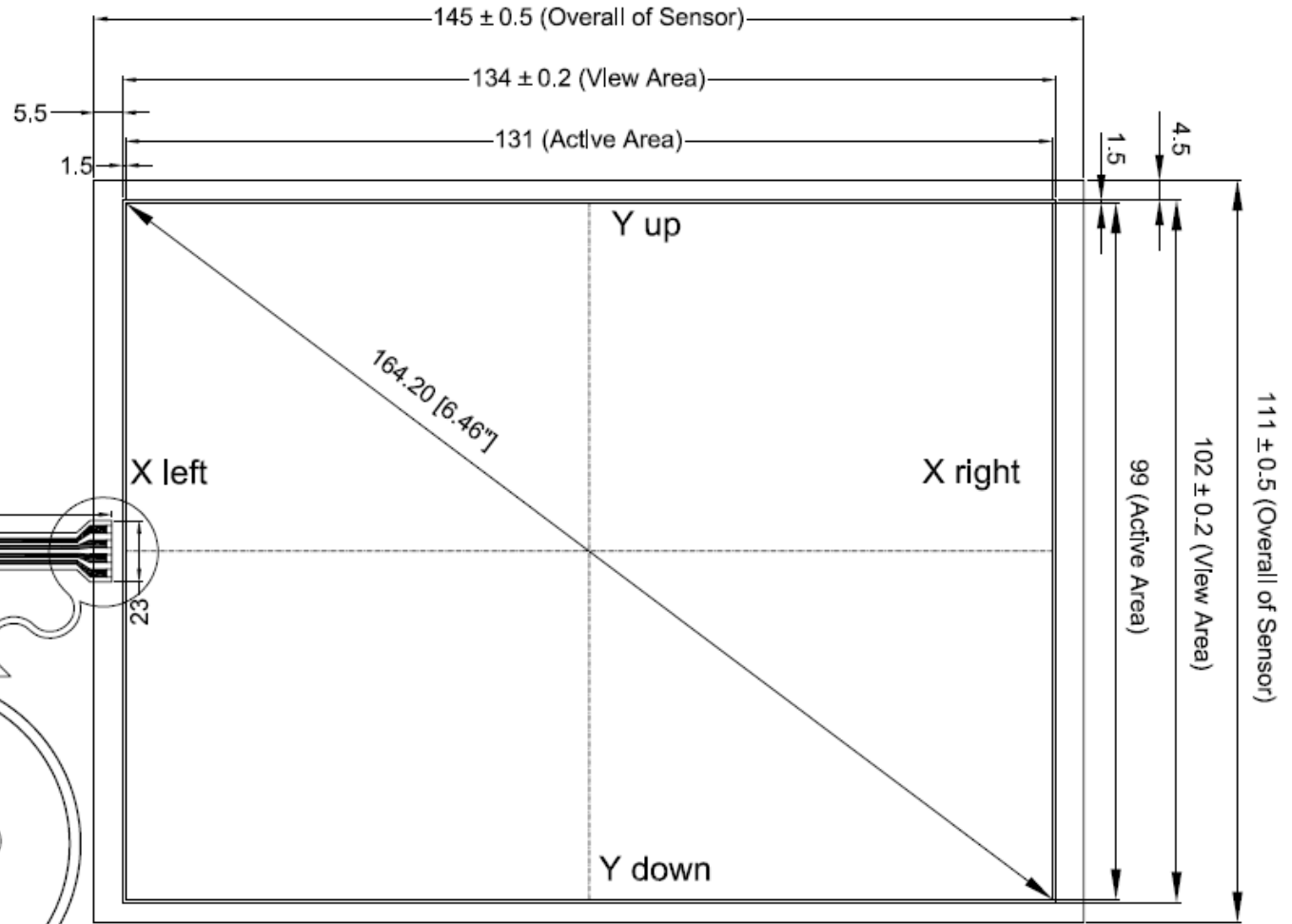
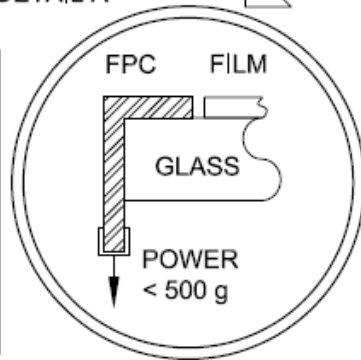
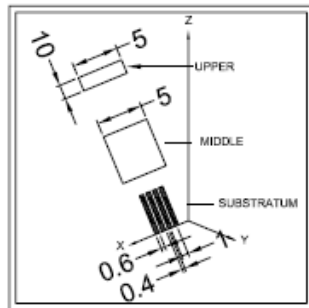
NOTE:


1. CABLE IS ATTACHED TO THE LEFT SIDE OF TOUCH PANEL AT CENTER POINT AS SHOWN.
2. FPC TAIL CONNECTOR: PITCH 1.00mm
3. ITO FILM IS ANTI-NEWTON RING TYPE.
4. DOT IS 3 mm * 3 mm MATRIX.
5. DOT DIMENSION : 0.06 mm
6. ACTIVE AREA EXTEND OVERALL AMBIT IS DIAPHANOUS.

CONNECTOR PINOUT	
PIN NO	ASSIGNMENT
1	X right
2	Y down
3	X left
4	Y up



DETAIL A



瞄準科技有限公司 AIM TOUCH TECHNOLOGY CO.,LTD.	DATE : 2010/01/04	Part Number	ITO Film Type	Glass Type	Glass Thickness	Finished Part Thickness
	MODEL : AIM-4R-0640-A03	AIM-4R-0640-A03-G0N	ANTI GLARE	General	0.7mm	1.0mm±0.2
 WWW.AIMTOUCH.COM		AIM-4R-0640-A03-G1N	ANTI GLARE	General	1.1mm	1.4mm±0.2
		AIM-4R-0640-A03-G2N	ANTI GLARE	General	1.8mm	2.1mm±0.2

NOTE : All indications are the millimeters.