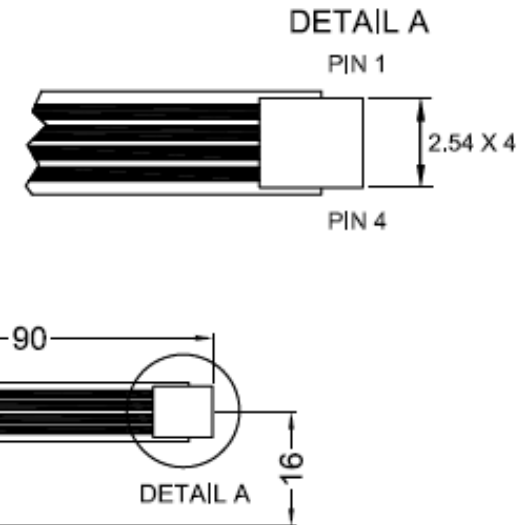



CONNECTOR PINOUT	
PIN NO	ASSIGNMENT
1	X left
2	Y up
3	X right
4	Y down



NOTE:
 1. CABLE IS ATTACHED TO THE RIGHT SIDE OF TOUCH PANEL .
 2. TAIL CONNECTOR; PITCH 2.54mm

瞄準科技有限公司 AIM TOUCH TECHNOLOGY CO.,LTD.	DATE : 2010/01/04	Part Number	ITO Film Type	Glass Type	Glass Thickness	Finished Part Thickness
	MODEL :	AIM-4R-0570-A02-G0N	ANTI GLARE	General	0.7mm	1.0mm±0.2
 WWW.AIMTOUCH.COM	AIM-4R-0570-A02	AIM-4R-0570-A02-G1N	ANTI GLARE	General	1.1mm	1.4mm±0.2
		AIM-4R-0570-A02-G2N	ANTI GLARE	General	1.8mm	2.1mm±0.2

NOTE : All indications are the millimeters.