

21.5" Infrared Ray Multi-Touch Monitor

Products application :

- POS Terminal
- Industrial PC
- Kiosk
- Gaming
- Medical apparatus
- Personal computer
- Mobile GPS
- Office automation
- Security system of the house
- Car-mounted amusement
- Military equipment
- Communicate



AIM-TMIR215-R01W



AIM-TMOPIR215-R01W

Order information :

Touch interface :

Mount type :

AIM-TMIR215-R01W

USB (Multi-Touch*2)

VESA (Without Stand)

AIM-TMOPIR215-R01W

USB (Multi-Touch*2)

Embedded (Open Frame)

AIM-TMIR215-R01W A

USB (Multi-Touch*2)

Foldable Stand (1.4kg)

AIM-TMIR215-R01W P

USB (Multi-Touch*2)

Photo Stand (1kg)

AIM-TMIR215-R01W V

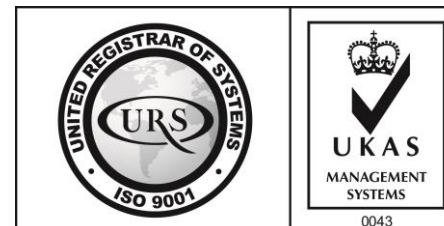
USB (Multi-Touch*2)

POS Stand (1.1kg)

AIM-TMIR215-R01W Y

USB (Multi-Touch*2)

Ergonomic Stand (3kg)



21.5" Infrared Ray Multi-Touch Monitor

Display Specifications :

Active Area	476 × 268 mm
Pixel Pitch	0.24795 × 0.24795 mm
Brightness	500 cd/m ²
Contrast Ratio	1000 : 1
Resolution	1920 x 1080 (Full HD)
Viewing Angle	L/R178° ; U/D178°
Response Time	14ms (Tr + Tf)
Display Colors	16.7M
Display Modes	640×480 ; 800×600 ; 1024×768 ; 1280×720 ; 1280×800 ; 1280×1024 ; 1360×768 ; 1440×900 ; 1680×1050 ; 1920×1080
Signal input	VGA ; Audio ; DVI
Speaker	1W (8Ω) × 2
OSD Keyboard	⊙Power ⊙Auto adjust ⊕ ⊖ ⊙Menu
Power Source	DC 12V (DC Jack Φ2.1mm)
Power Consumption	≤26w
Storage 、 Operation	-20~60°C ; 0~50°C
VESA	75×75 ; 100×100 mm
Casing Colors	Black (OEM other colors)
Casing Size 、 Weight	541 × 333 × 52 mm ; 5.4 kg (W×H×D) (Without Stand)
Carton 、 gross weight	550 × 400 × 180 mm ; 7.4 kg (W×H×D)
Accessory	VGA cable / Audio cable / AC90~260V Adapter / Power cable / USB cable / Cleaning wipes / Driver Disk ※DVI cable (Optional)

※AIM Touch has the right to update specs without further notice.



AIM-TMIR215-R01W A



AIM-TMIR215-R01W P



21.5" Infrared Ray Multi-Touch Monitor

Touch Feature :

Input Method	It detects anything that blocks lights
Linearity	≤2.5mm
Surface	≥7H
Life Time	Unlimited
Application	Writing and Signature Capture Capability

Software Feature :

Calibration	4 points or 16 points or 25 points
Draw Test	Position and linearity verification
Controller	Support multiple controllers
Languages	English · Simple Chinese · Traditional Chinese · Japanese · German
Mouse Emulator	Right / left button emulation. Auto Right / left Click (PDA function)
Touch Style	Drawing a Mode · button a Mode · Touch Off/ on Switch
Double Click	Configurable double click speed · Configurable double click area
Sound Modes	No sound · Touch down · Touch up
Display Support	display rotation · Support multiple monitors
Division Pattern	Support two halves and four parts with touch function, you can also create your own division patterns.
Settings:	
Edge compensation	Support edge compensation and you can also add your own numbers for it.
Support O.S	All Windows-32/64bit O.S Android ; Linux ; MAC



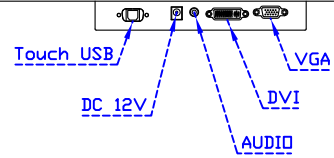
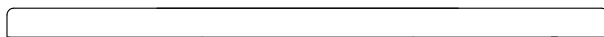
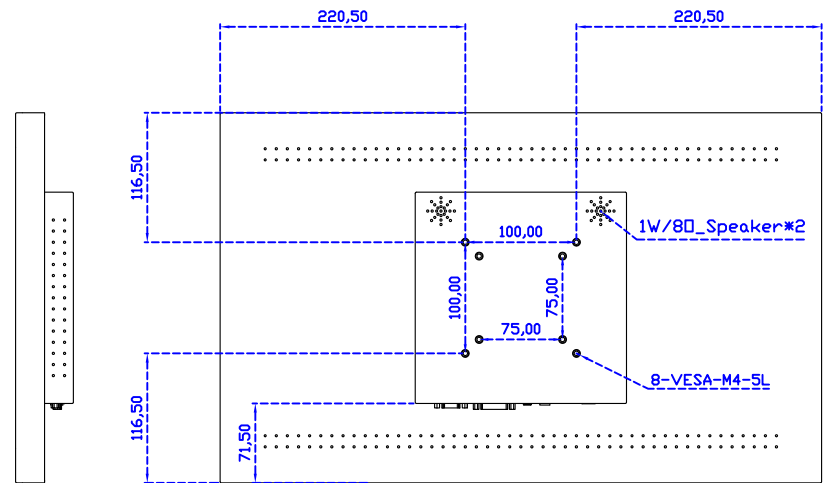
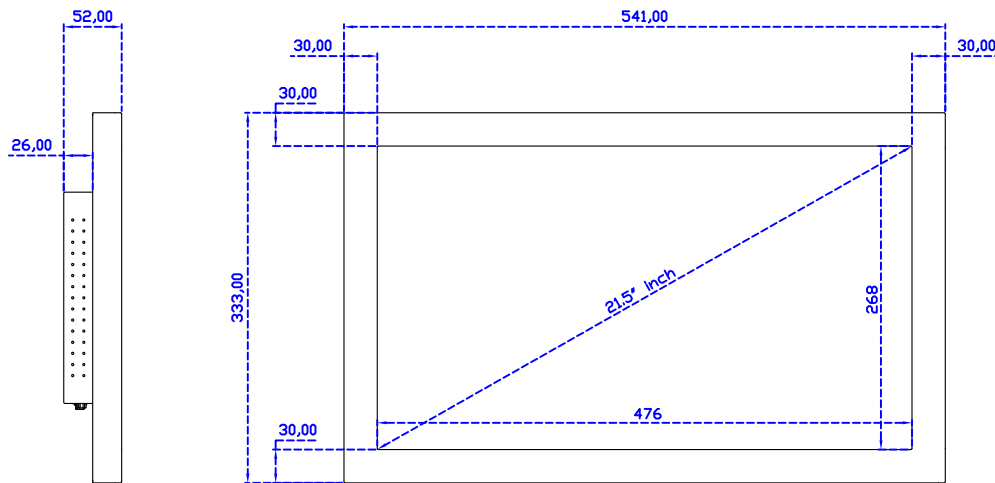
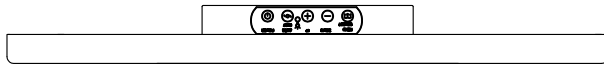
AIM-TMIR215-R01W V



AIM-TMIR215-R01W Y

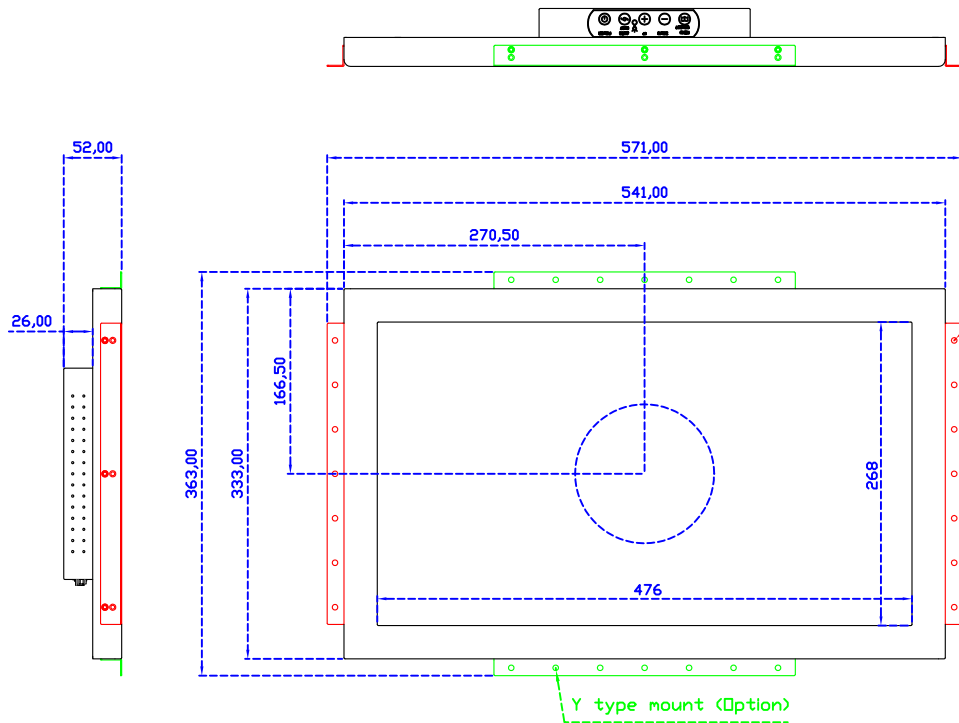


3 Year Warranty
LCD Panel 1 Year

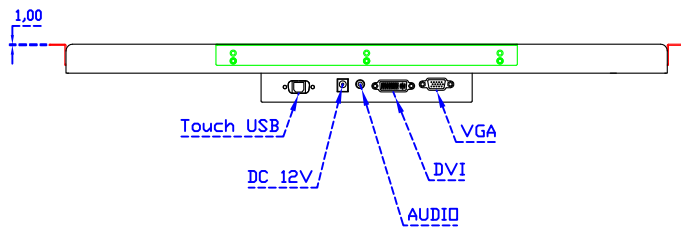
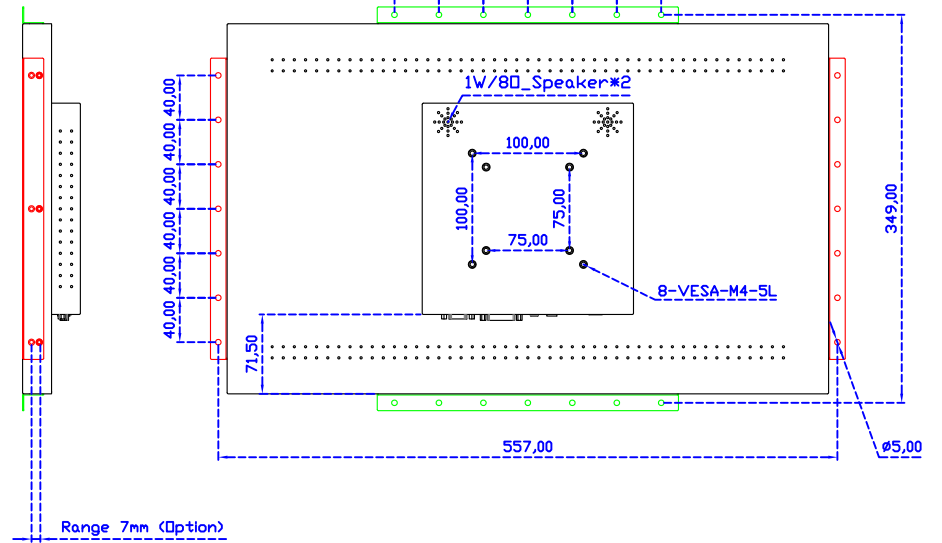


21.5" Touch Monitor.
(VESA Mount)

AIM-TMIR215-R01W

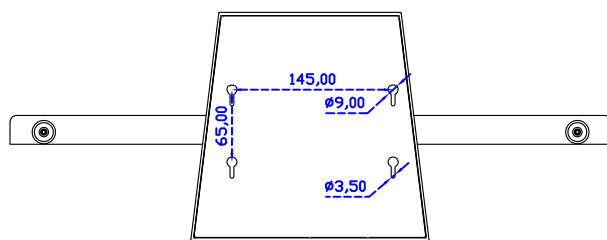
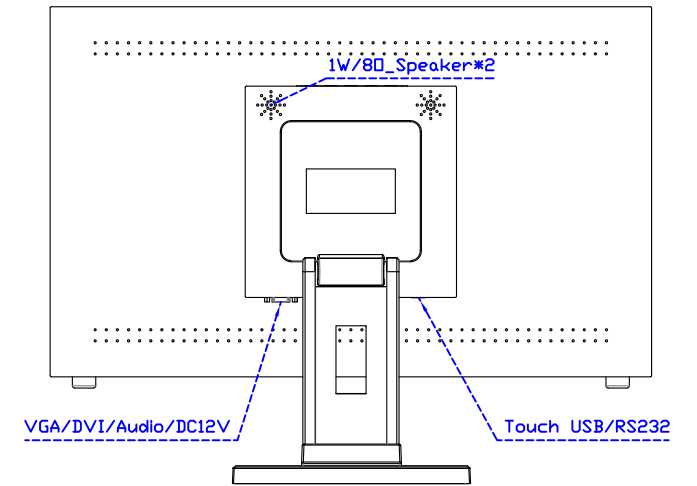
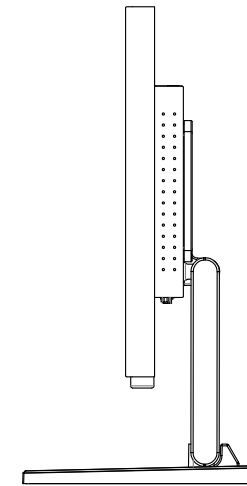
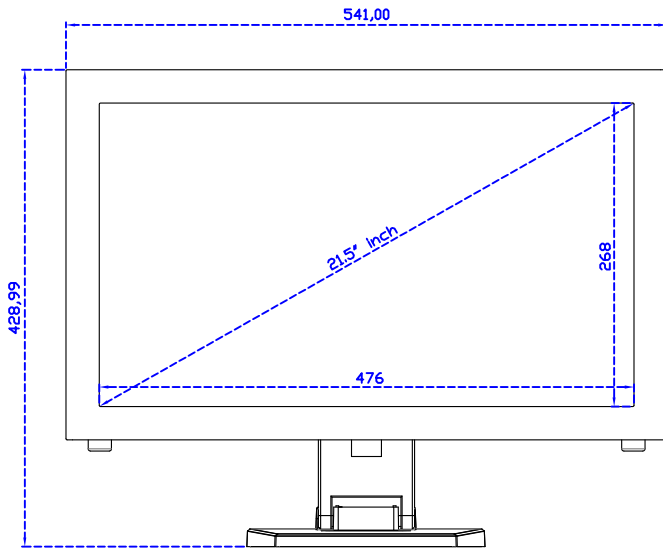
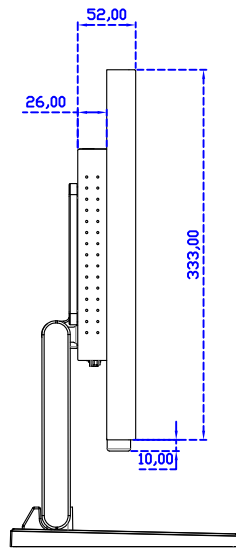
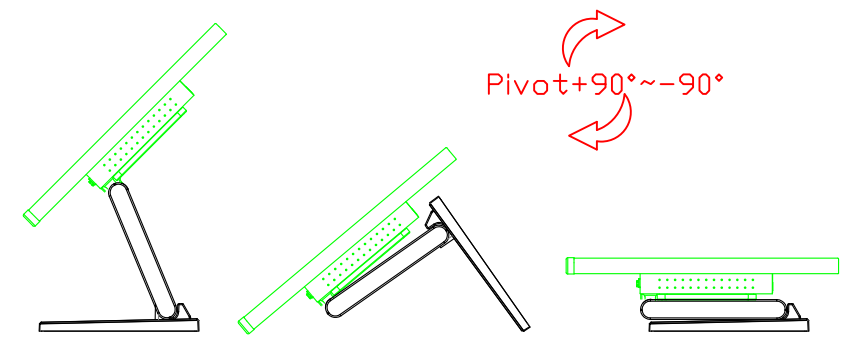
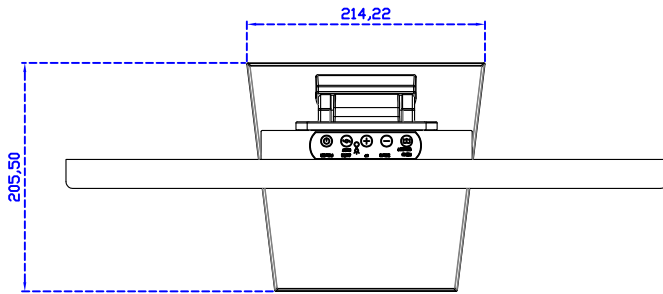


X type mount (Default)



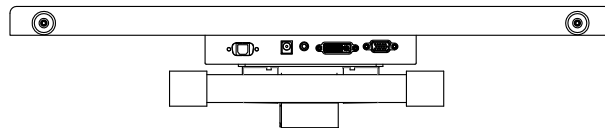
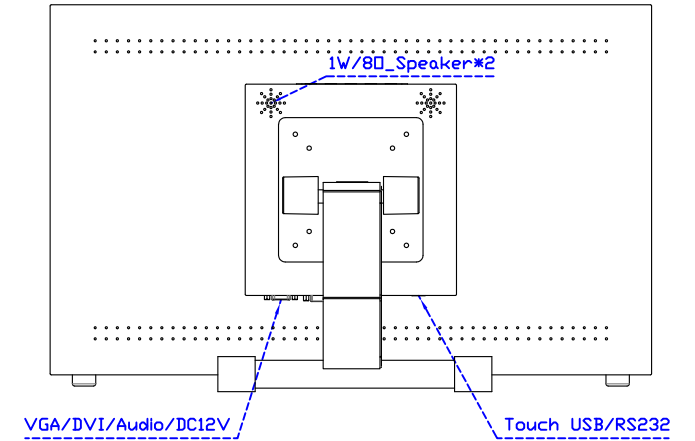
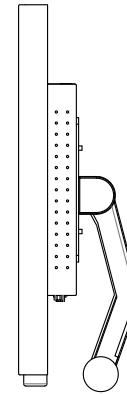
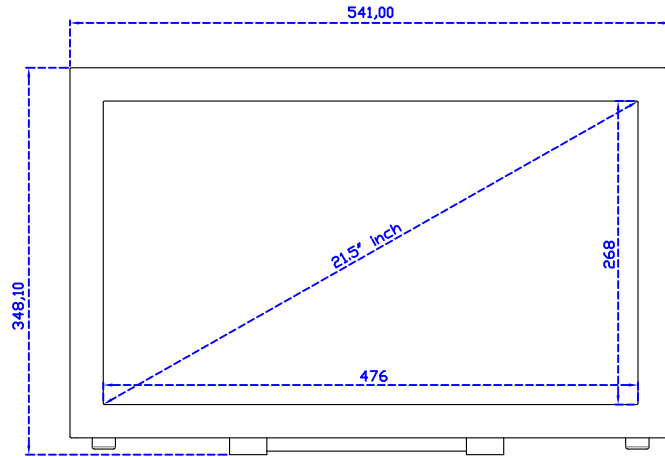
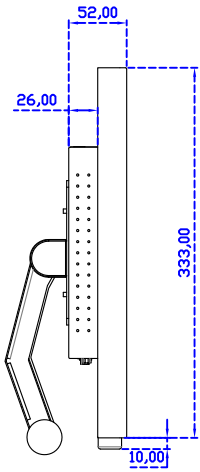
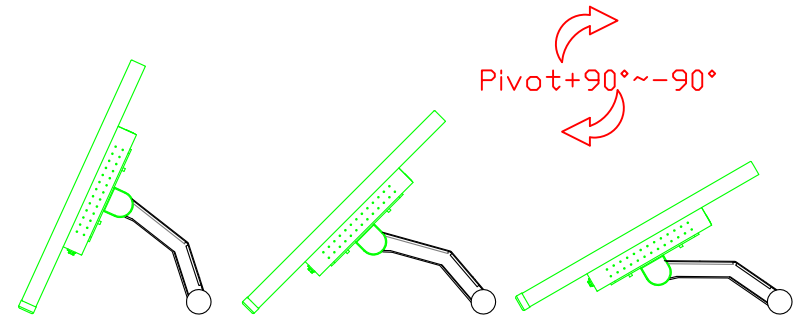
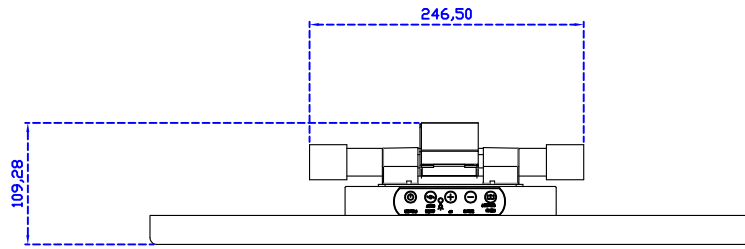
21.5" Embedded Touch Monitor.
(Open Frame)

AIM-TMOPIR215-R01W



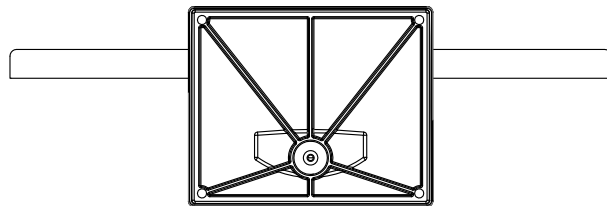
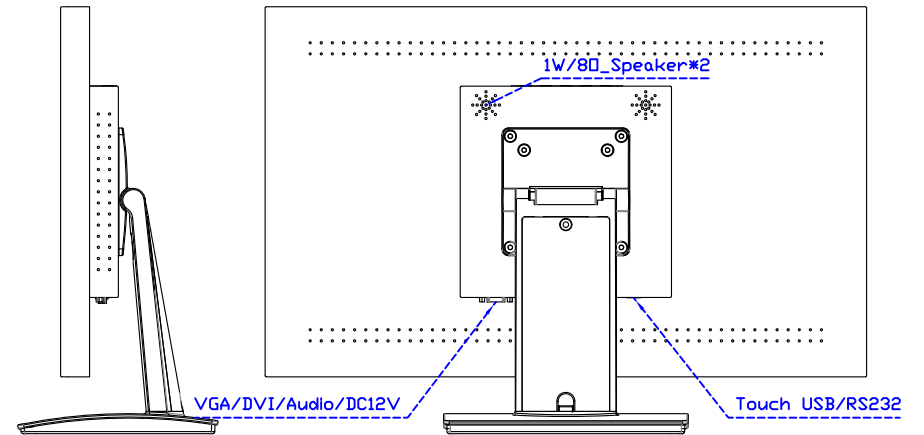
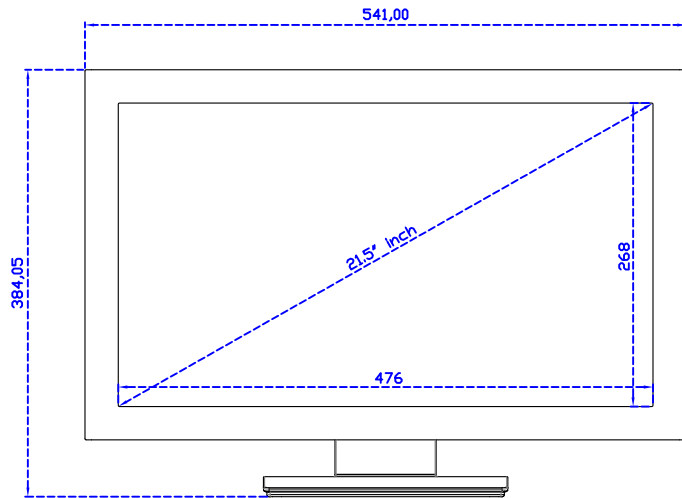
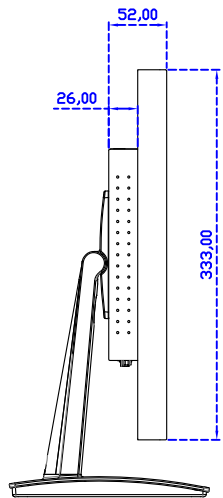
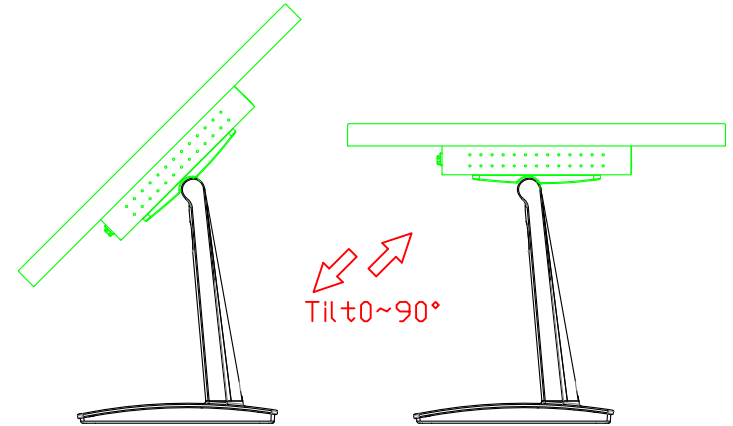
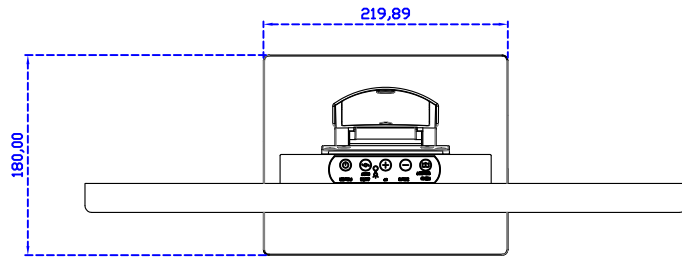
21.5" Desktop Touch Monitor.
(Foldable Stand)

AIM-TMIR215-R01W A



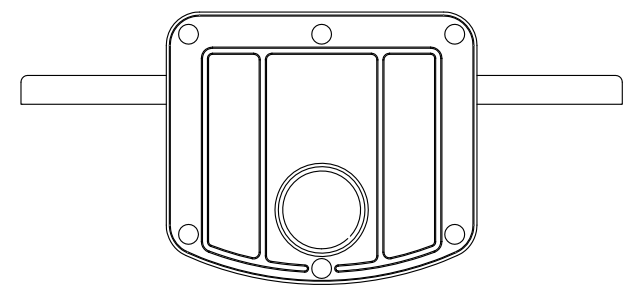
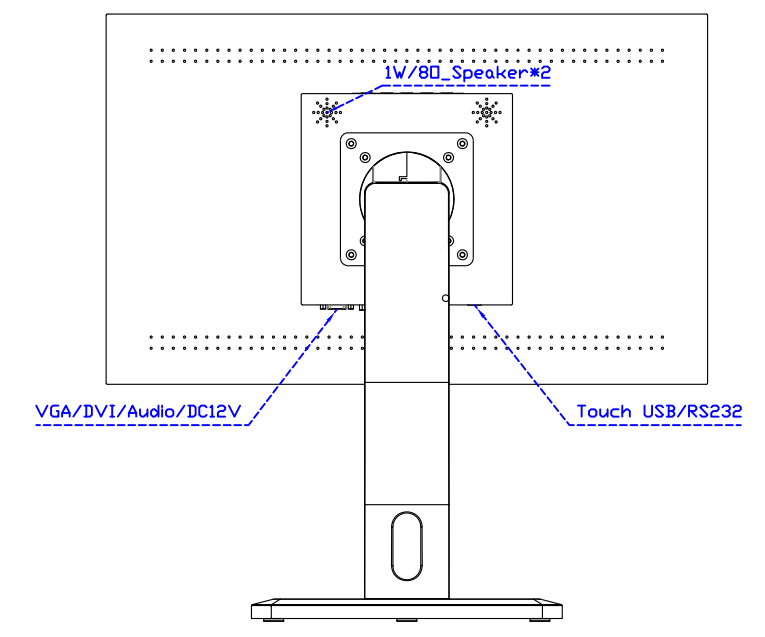
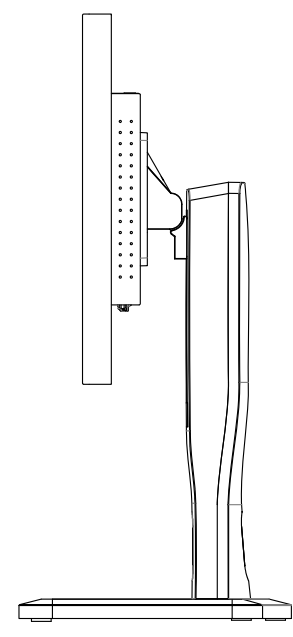
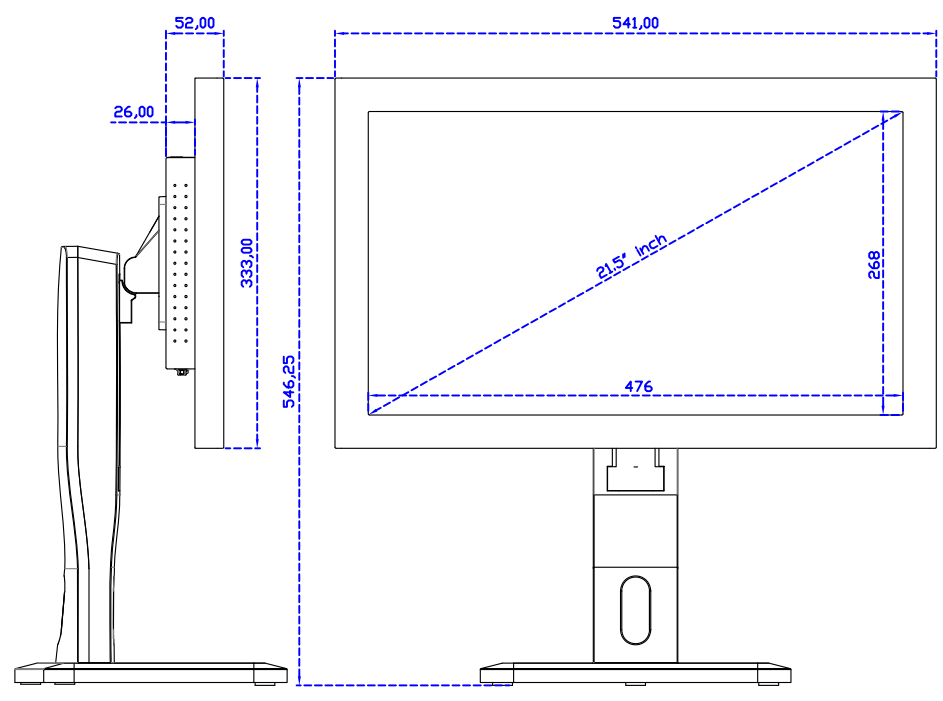
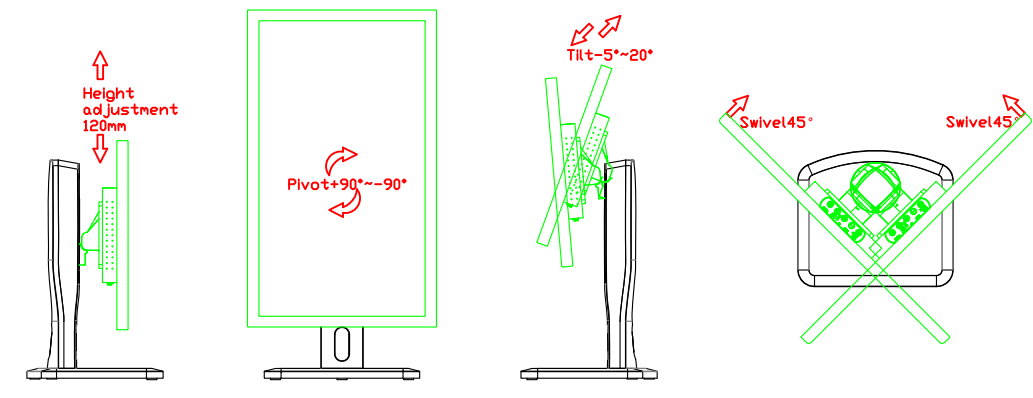
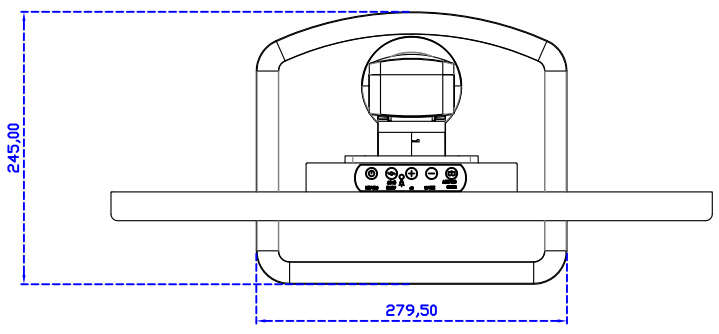
21.5" Desktop Touch Monitor.
(Photo Stand)

AIM-TMIR215-R01W P



21.5" Desktop Touch Monitor.
(PQS Stand)

AIM-TMIR215-R01W V



21.5" Desktop Touch Monitor.
(Ergonomic Stand)

AIM-TMIR215-R01W Y