

21.5" Resistive Single Touch Monitor

Products application :

- POS Terminal
- Industrial PC
- Kiosk
- Gaming
- Medical apparatus
- Personal computer
- Mobile GPS
- Office automation
- Security system of the house
- Car-mounted amusement
- Military equipment
- Communicate



AIM-TM5R215-G01WN



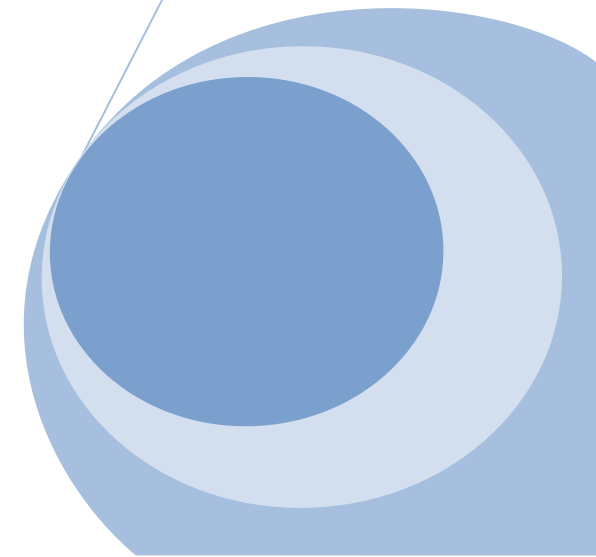
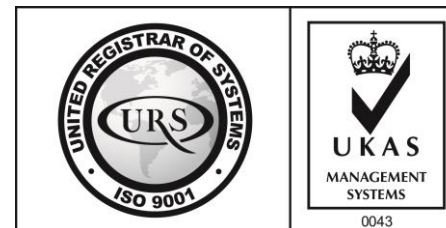
AIM-TM5R215-V W01W

Order information :

Touch interface :

Mount type :

AIM-TM5R215-G01W N (Black)	USB	VESA (Without Stand)
AIM-TM5R215-G02W N (Black)	RS232	
AIM-TM5R215-GW01W (White)	USB	VESA (Without Stand)
AIM-TM5R215-GW02W (White)	RS232	
AIM-TM5R215-V01W (Black)	USB	POS Stand (1.1kg)
AIM-TM5R215-V02W (Black)	RS232	
AIM-TM5R215-V W01W (White)	USB	POS Stand (1.1kg)
AIM-TM5R215-V W02W (White)	RS232	
AIM-TM5R215-Y01W (Black)	USB	Ergonomic Stand (3kg)
AIM-TM5R215-Y02W (Black)	RS232	



21.5" Resistive Single Touch Monitor

Display Specifications :

Active Area	476 × 268 mm
Pixel Pitch	0.24795 × 0.24795 mm
Brightness	500 cd/m ²
Contrast Ratio	1000 : 1
Resolution	1920 x 1080 (Full HD)
Viewing Angle	L/R178° ; U/D178°
Response Time	14ms (Tr + Tf)
Display Colors	16.7M
Display Modes	640×480 ; 800×600 ; 1024×768 ; 1280×720 ; 1280×800 ; 1280×1024 ; 1360×768 ; 1440×900 ; 1680×1050 ; 1920×1080
Signal input	VGA ; Audio ; DVI
Speaker	2.5W (8Ω) × 2
OSD Keyboard	⊙Power ⊙Auto adjust ⊕ ⊖ ⊙Menu
Power Source	DC 12V (DC Jack Φ2.1mm)
Power Consumption	≤26w
Storage 、 Operation	-20~60°C ; 0~50°C
VESA	100×100 mm
Casing Colors	Black (White)
Casing Size 、 Weight	525.29 × 320.29 × 55.4 mm ; 4.4 kg (W×H×D) (Without Stand)
Carton 、 gross weight	570 × 470 × 260 mm ; 6.6 kg (W×H×D)
Accessory	VGA cable / Audio cable / AC90~260V Adapter / Power cable / USB or RS232 cable / Touch pen / Cleaning wipes / Driver Disk ※DVI cable (Optional)

※AiM Touch has the right to update specs without further notice



AIM-TM5R215-V01W



21.5" Resistive Single Touch Monitor

Touch Feature :

Input Method	Finger, gloved hand, or stylus activation
Activation Force	≤50g
Linearity	≤1.5%
Surface	≥3H
Life Time	≥35,000,000
Application	Writing and Signature Capture Capability

Software Feature :

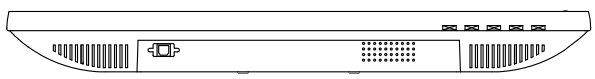
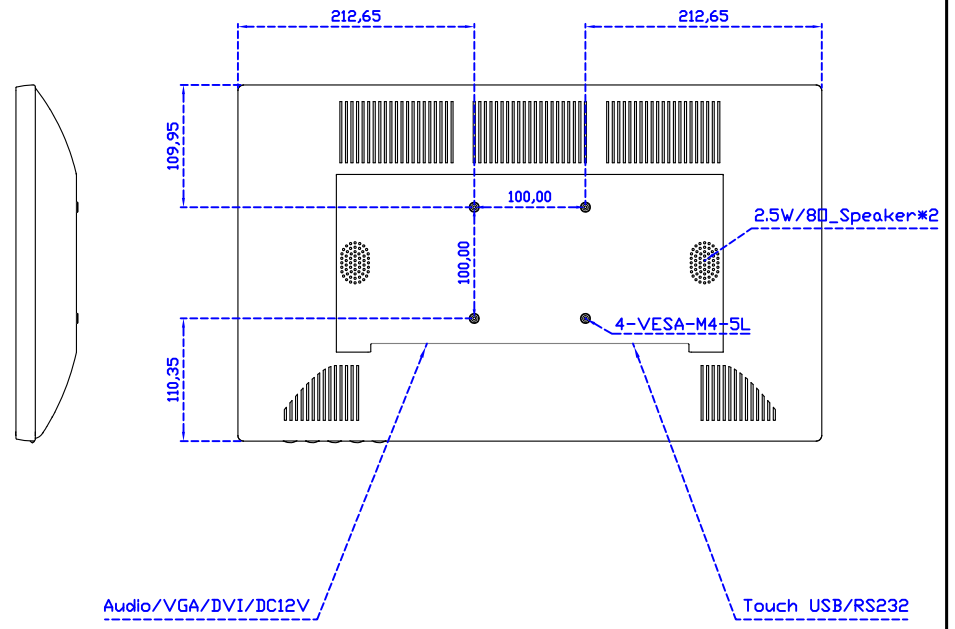
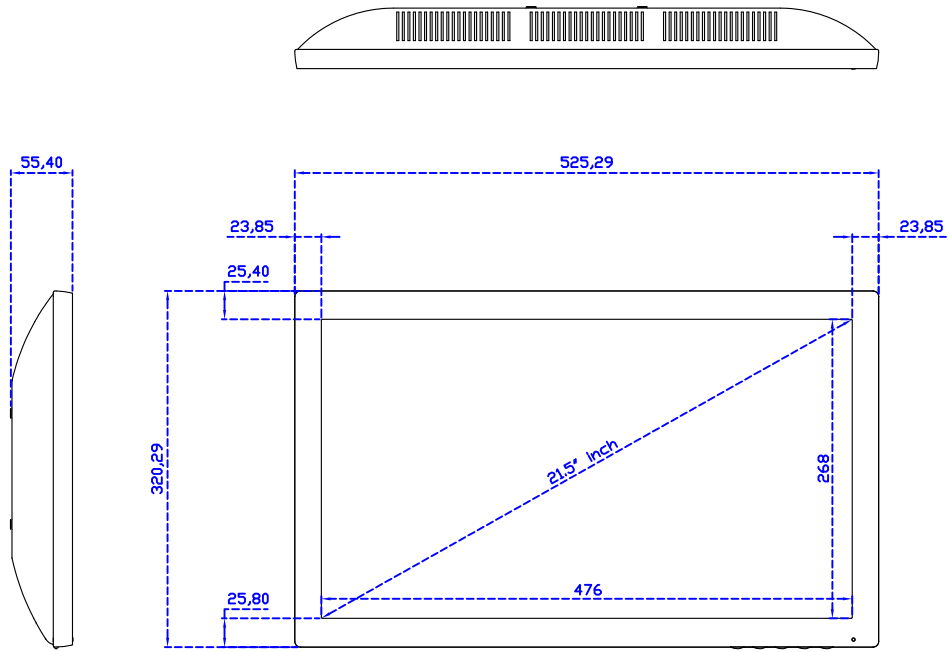
Calibration	Fast full oriental 4 points position
Compensation	Edge compensation. Accuracy 25 points linearity compensation
Draw Test	Position and linearity verification
Controller	Support multiple controllers
Languages	English · Simple Chinese · Traditional Chinese · Japanese · French · German · Spanish · Korean · Arabic · Czech · Danish · Dutch · Greek · Hungarian · Italian · Norwegian · Russian · Polish · Portuguese · Slovenian · Swedish · Thai · Turkish
Mouse Emulator	Right / left button emulation. Auto Right / left Click (PDA function)
Touch Style	Drawing a Mode · button a Mode · Touch Off/ on Switch
Double Click	Configurable double click speed · Configurable double click area
Sound Modes	No sound · Touch down · Touch up
COM Port Support	COM1 ~ COM255 for Windows and Linux COM1 ~ COM8 for MS- DOS
Display Support	display rotation · Support multiple monitors
Support O.S	All Windows-32/64bit O.S Android ; Linux ; MAC



AIM-TM5R215-Y01W

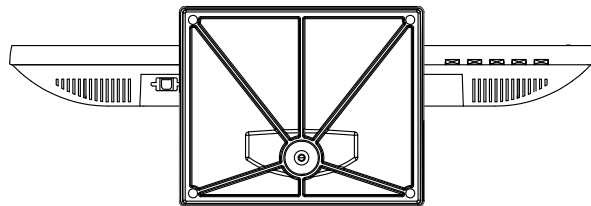
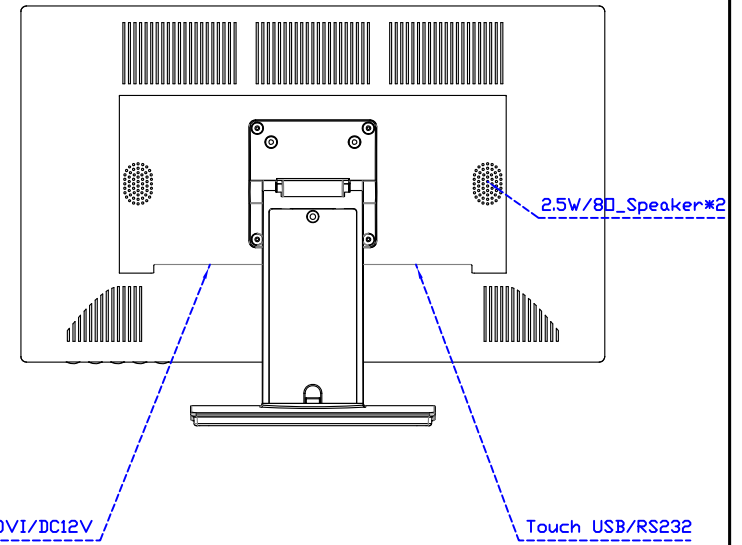
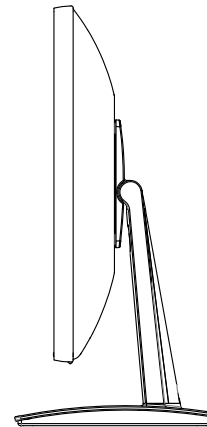
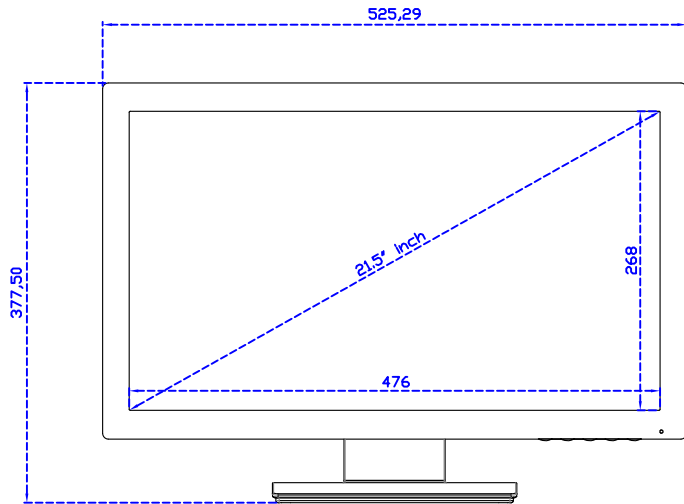
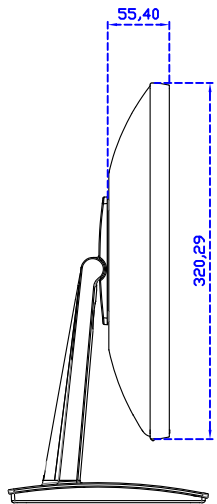
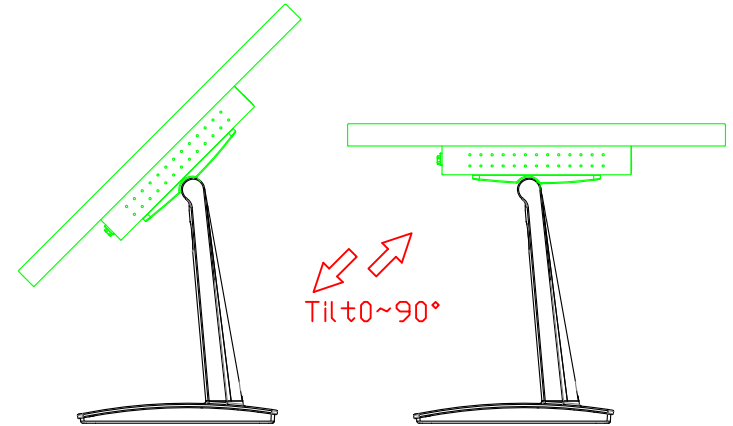
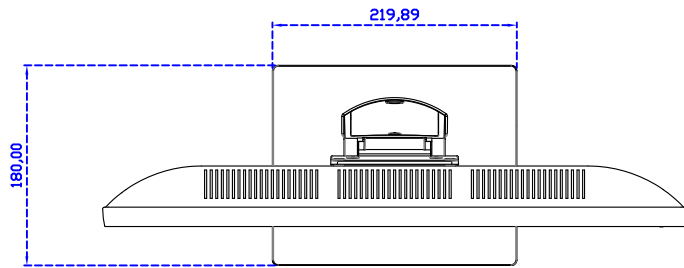


3 Year Warranty
LCD Panel 1 Year



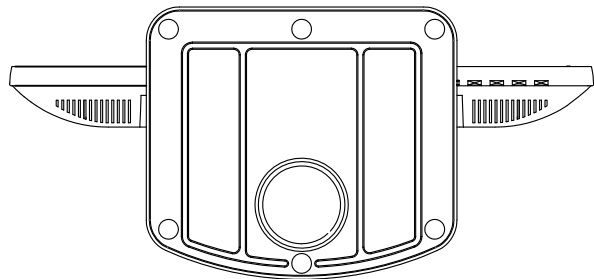
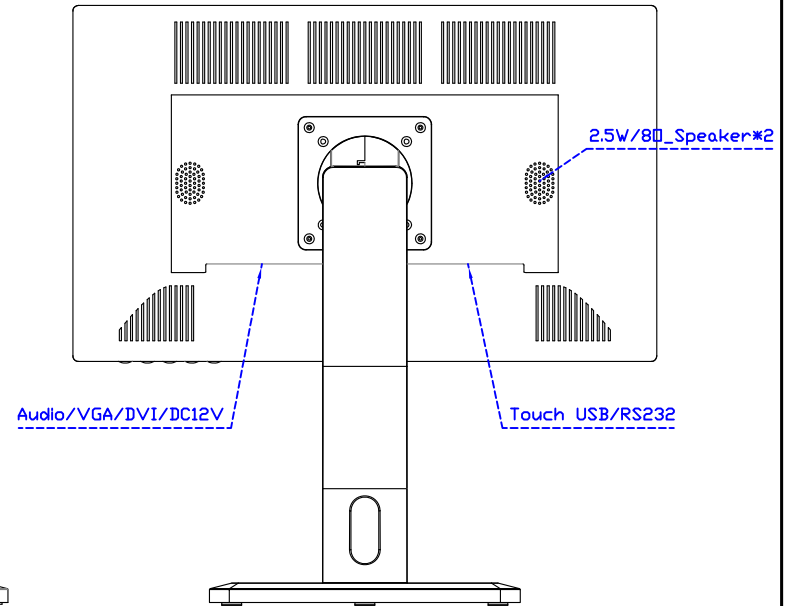
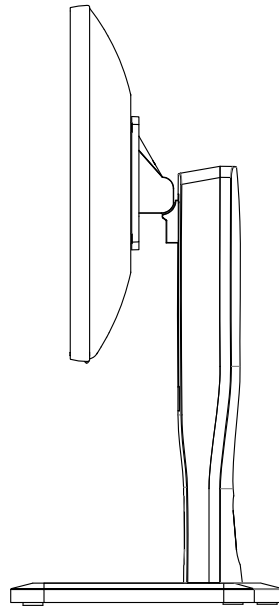
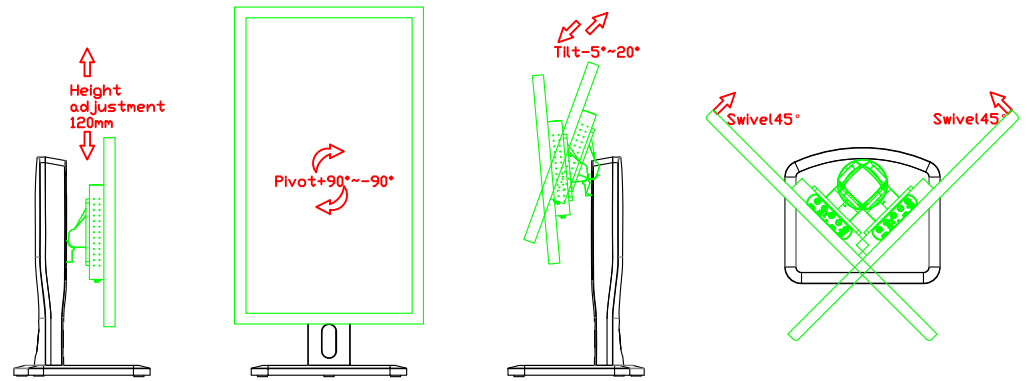
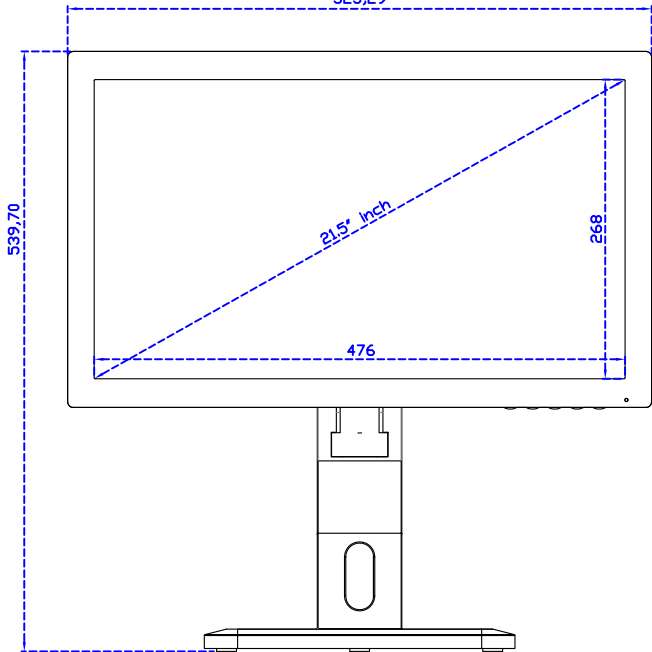
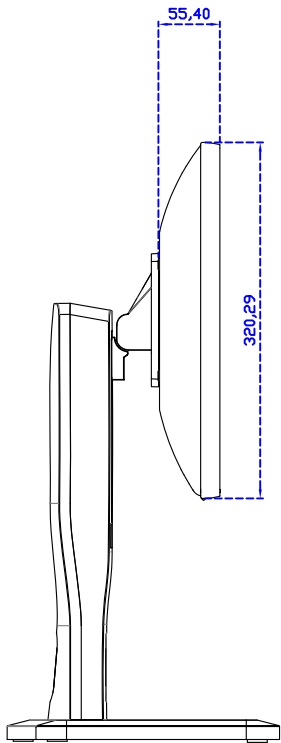
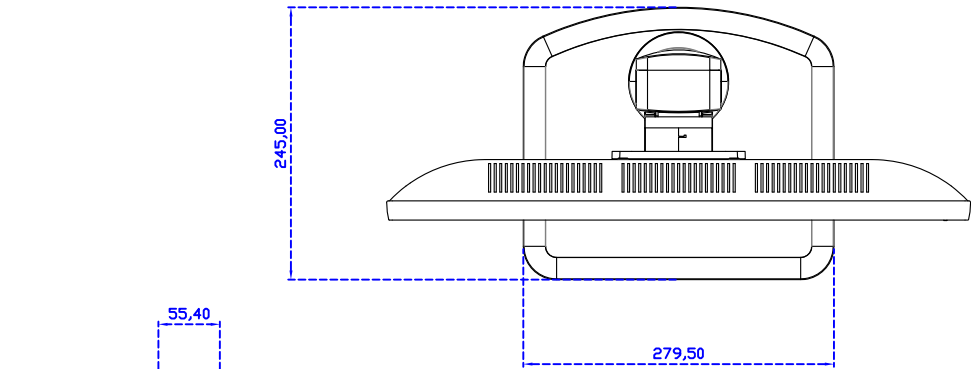
21.5" Touch Monitor.
(VESA Mount)

AIM-TM5R215-G01W N



21.5" Desktop Touch Monitor.
(PDS Stand)

AIM-TM5R215-V01W



21.5" Desktop Touch Monitor.
(Ergonomic Stand)

AIM-TM5R215-Y01W