

## 19" Resistive Single Touch Monitor

### Products application :

- POS Terminal
- Industrial PC
- Kiosk
- Gaming
- Medical apparatus
- Personal computer
- Mobile GPS
- Office automation
- Security system of the house
- Car-mounted amusement
- Military equipment
- Communicate



AIM-TM5R190-V05



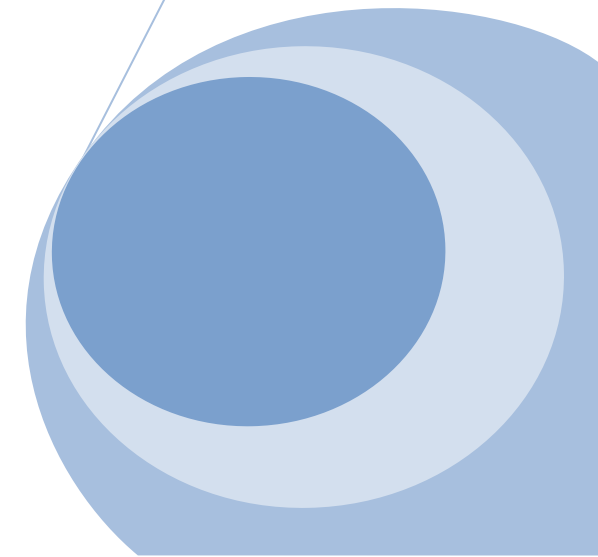
AIM-TM5R190-V W05

### Order information :

### Touch interface :

### Mount type :

AIM-TM5R190-G05N ( Black )	USB	VESA ( Without Stand )
AIM-TM5R190-G06N ( Black )	RS232	
AIM-TM5R190-GW05N ( White )	USB	VESA ( Without Stand )
AIM-TM5R190-GW06N ( White )	RS232	
AIM-TM5R190-G05 ( Black )	USB	Foldable Stand ( 1.4kg )
AIM-TM5R190-G06 ( Black )	RS232	
AIM-TM5R190-P05 ( Black )	USB	Photo Stand ( 1kg )
AIM-TM5R190-P06 ( Black )	RS232	
AIM-TM5R190-V05 ( Black )	USB	POS Stand ( 1.1kg )
AIM-TM5R190-V06 ( Black )	RS232	
AIM-TM5R190-V W05 ( White )	USB	POS Stand ( 1.1kg )
AIM-TM5R190-V W06 ( White )	RS232	



## 19" Resistive Single Touch Monitor

### Display Specifications :

Active Area	376 × 301 mm
Pixel Pitch	0.294 × 0.294 mm
Brightness	250 cd/m <sup>2</sup>
Contrast Ratio	1000 : 1
Resolution	1280 x 1024 ( SXGA )
Viewing Angle	L/R178° ; U/D170°
Response Time	5ms ( Tr + Tf )
Display Colors	16.7M
Display Modes	640×480 ; 800×600 ; 1024×768 ; 1280×1024
Signal input	VGA ; Audio ; DVI
Speaker	1W ( 8Ω ) × 1
OSD Keyboard	⊙Power ⊙Auto adjust ⊕ ⊖ ⊙Menu
Power Source	DC 12V ( DC Jack Φ2.1mm )
Power Consumption	≤16w
Storage 、 Operation	-20~60°C ; 0~50°C
VESA	75×75 mm
Casing Colors	Black ( White )
Casing Size 、 Weight	421.4 × 350.5 × 48.1 mm ; 5.1 kg ( W×H×D ) ( Without Stand )
Carton 、 gross weight	490 × 500 × 155 mm ; 7.6 kg ( W×H×D )
Accessory	VGA cable / Audio cable / AC90~260V Adapter / Power cable / USB or RS232 cable / Touch pen / Cleaning wipes / Driver Disk ※DVI cable ( Optional )

※AiM Touch has the right to update specs without further notice



AIM-TM5R190-G05



AIM-TM5R190-P05



## 19" Resistive Single Touch Monitor

### Touch Feature :

Input Method	Finger, gloved hand, or stylus activation
Activation Force	≤50g
Linearity	≤1.5%
Surface	≥3H
Life Time	≥35,000,000
Application	Writing and Signature Capture Capability

### Software Feature :

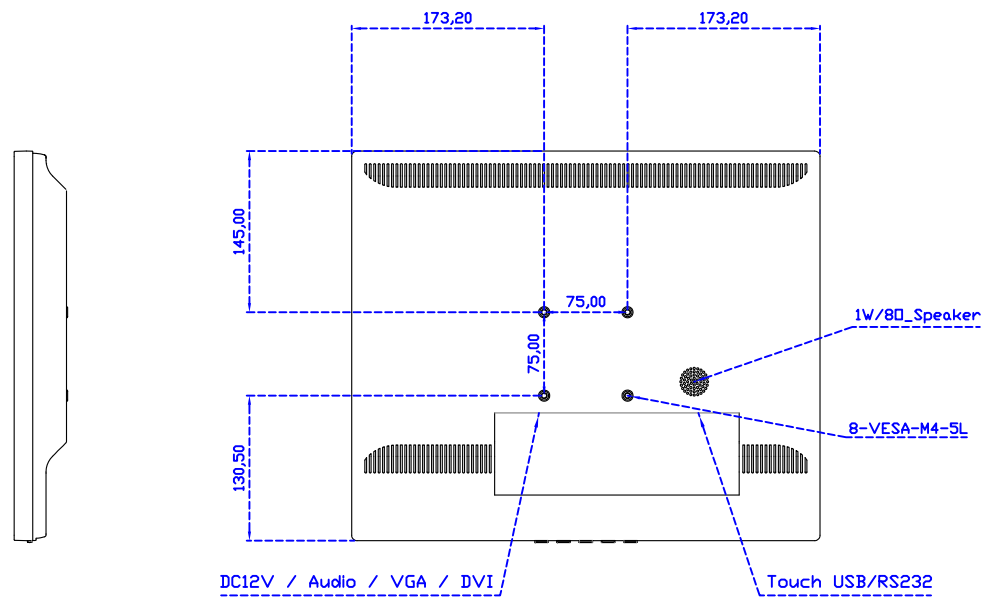
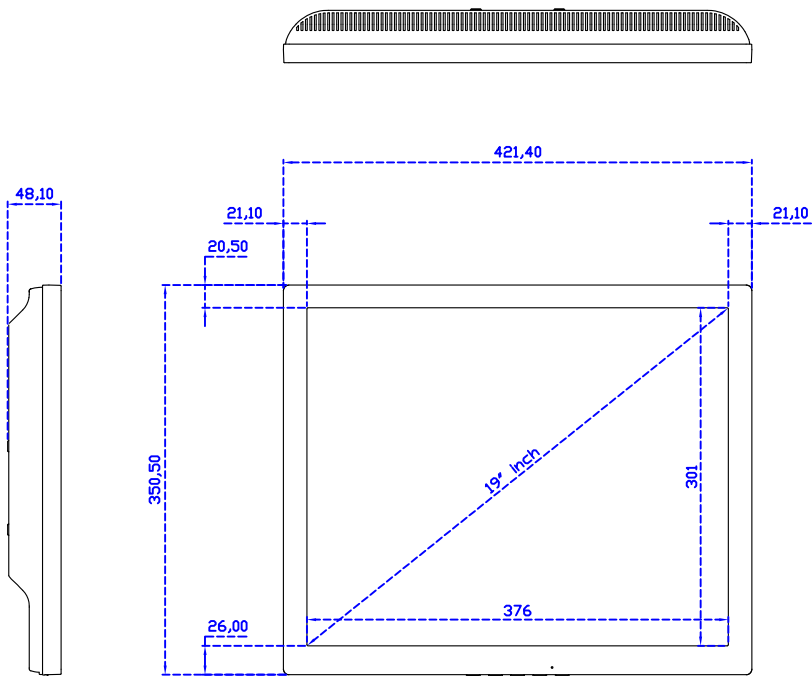
Calibration	Fast full oriental 4 points position
Compensation	Edge compensation. Accuracy 25 points linearity compensation
Draw Test	Position and linearity verification
Controller	Support multiple controllers
Languages	English · Simple Chinese · Traditional Chinese · Japanese · French · German · Spanish · Korean · Arabic · Czech · Danish · Dutch · Greek · Hungarian · Italian · Norwegian · Russian · Polish · Portuguese · Slovenian · Swedish · Thai · Turkish
Mouse Emulator	Right / left button emulation. Auto Right / left Click ( PDA function )
Touch Style	Drawing a Mode · button a Mode · Touch Off/ on Switch
Double Click	Configurable double click speed · Configurable double click area
Sound Modes	No sound · Touch down · Touch up
COM Port Support	COM1 ~ COM255 for Windows and Linux COM1 ~ COM8 for MS- DOS
Display Support	display rotation · Support multiple monitors
Support O.S	All Windows-32/64bit O.S Android ; Linux ; MAC



AIM-TM5R190-V05

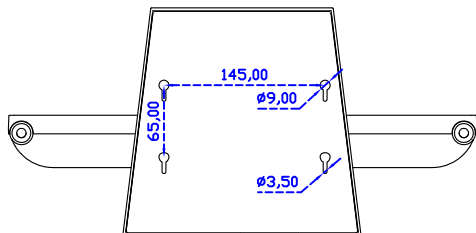
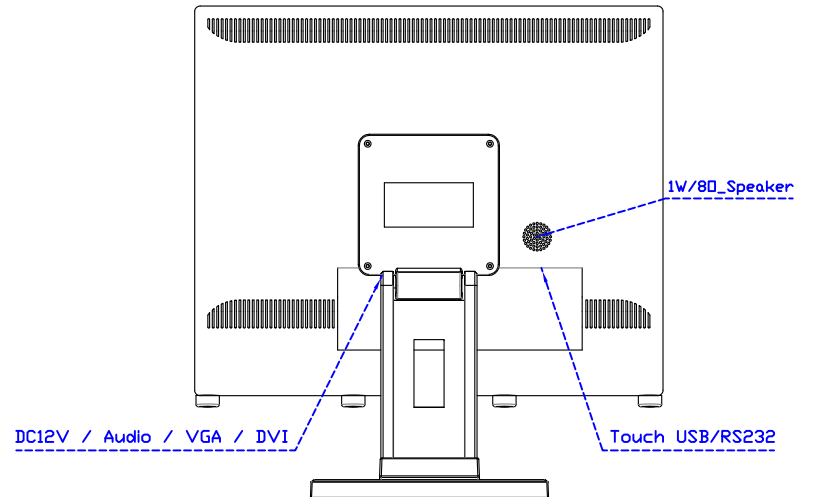
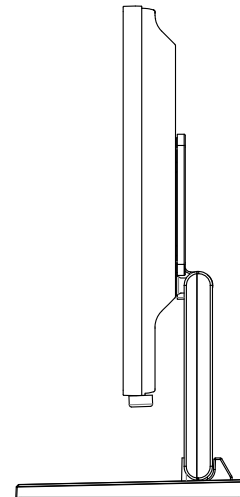
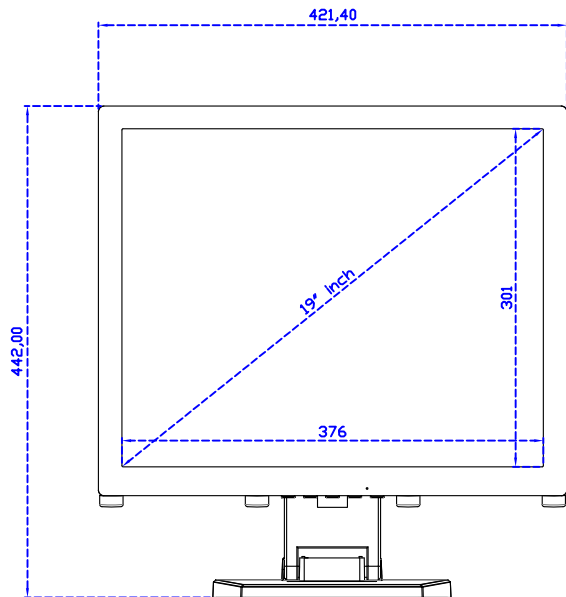
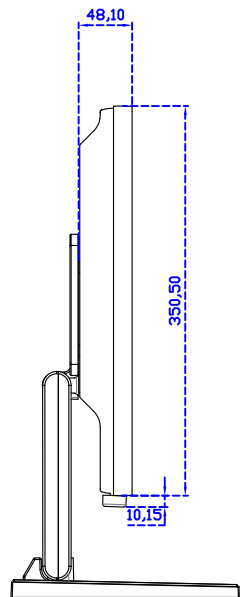
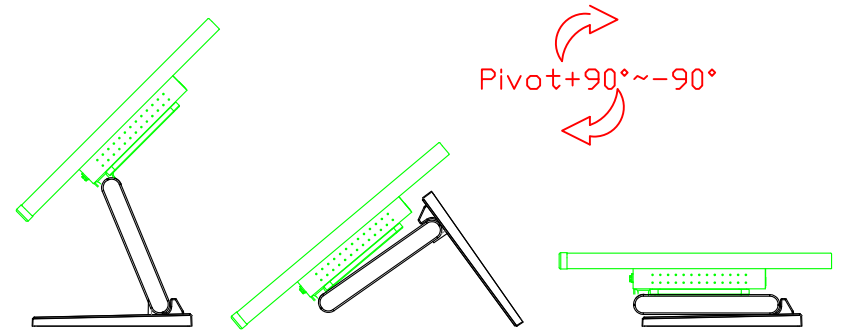
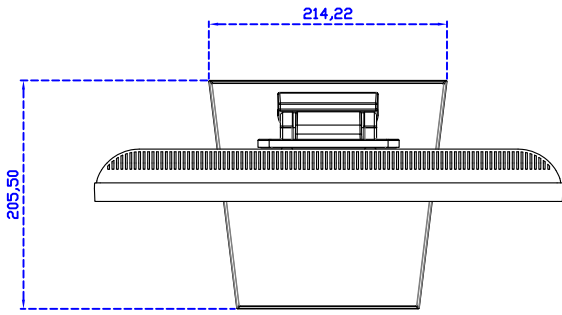


**3 Year Warranty**  
LCD Panel 1 Year



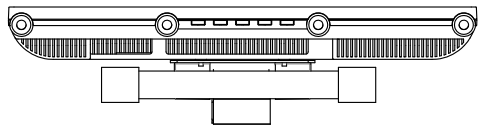
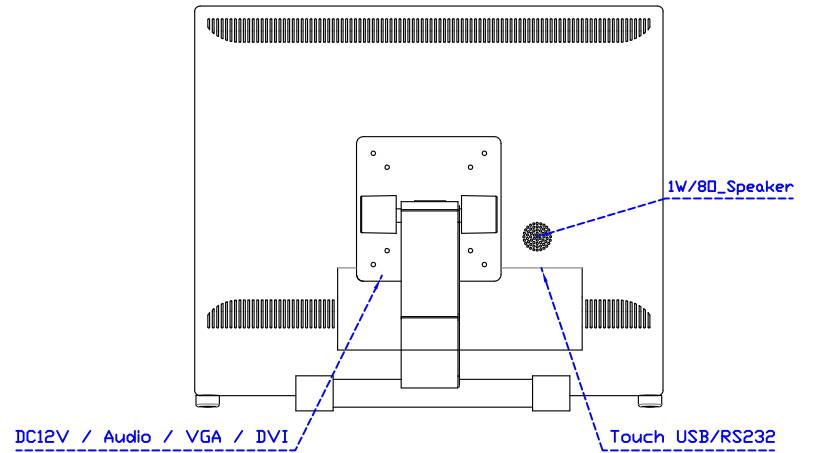
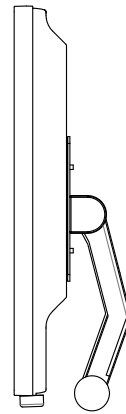
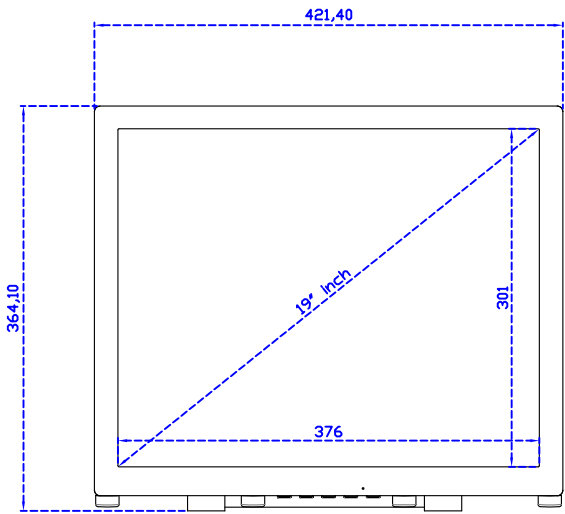
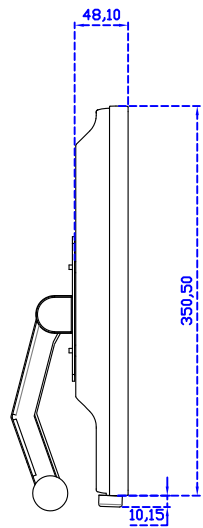
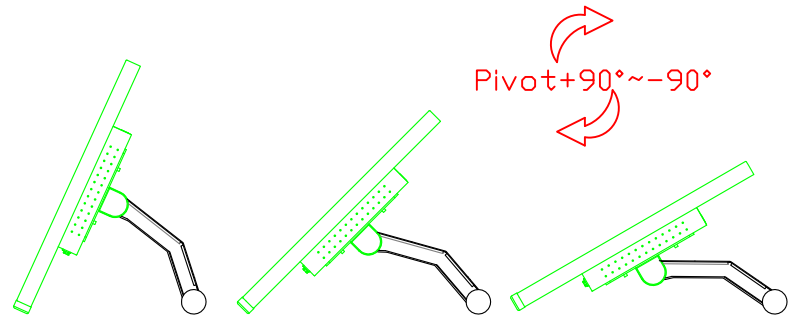
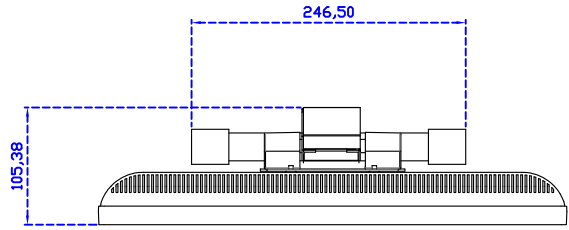
19" Touch Monitor.  
 (VESA Mount)

AIM-TMxxx190-G05 N



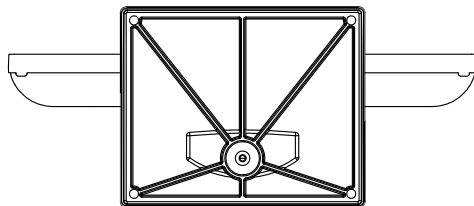
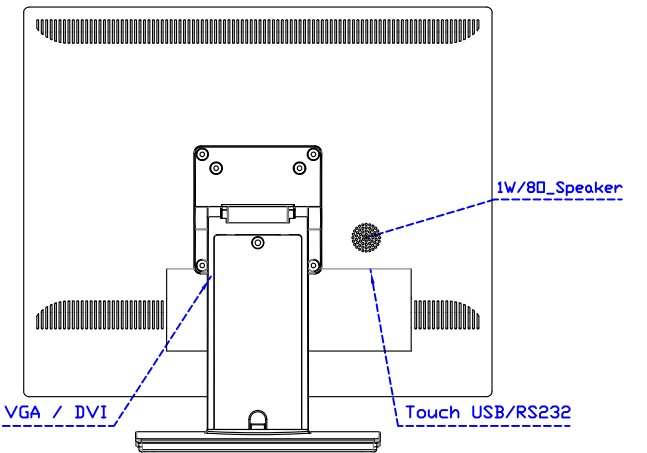
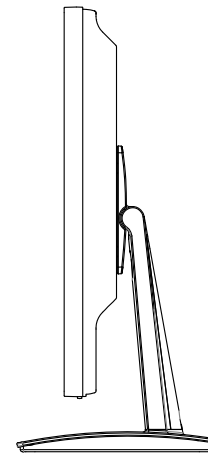
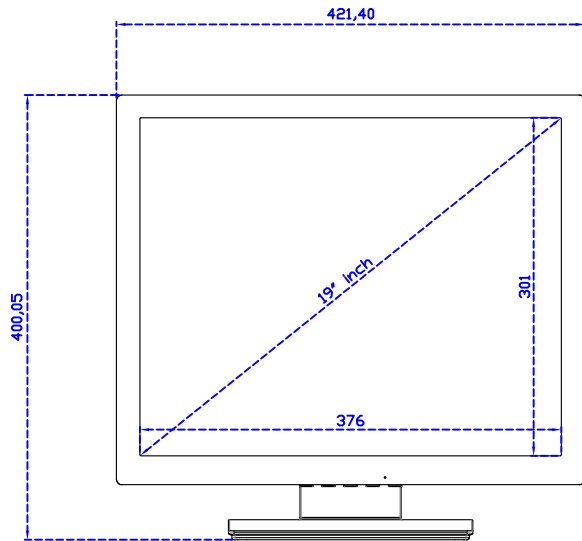
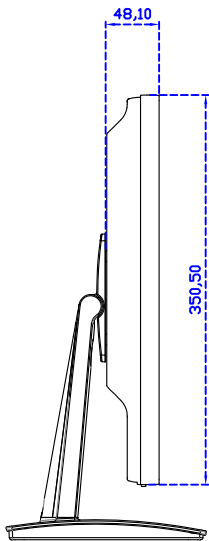
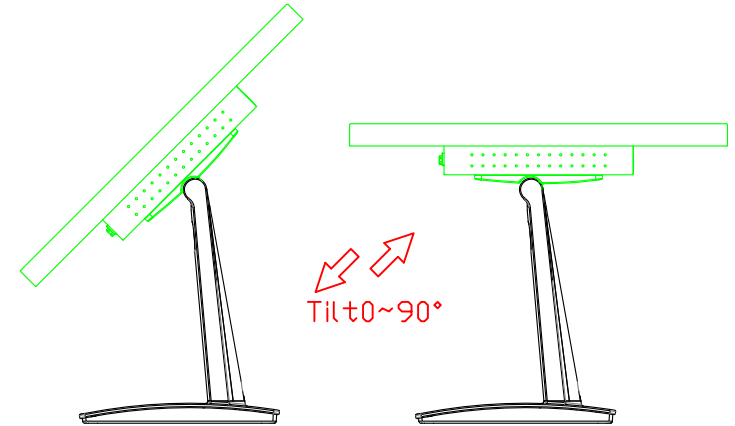
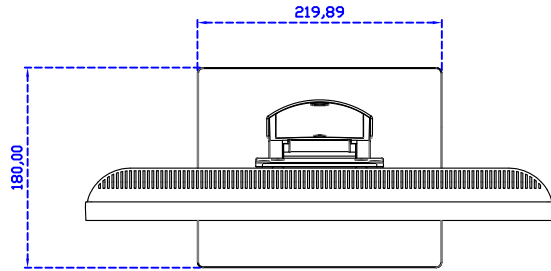
19" Desktop Touch Monitor.  
(Foldable Stand)

AIM-TMxxx190-G05



19" Desktop Touch Monitor.  
(Photo Stand)

AIM-TMxxx190-P05



19" Desktop Touch Monitor.  
(POS Stand)

AIM-TMxxx190-V05