

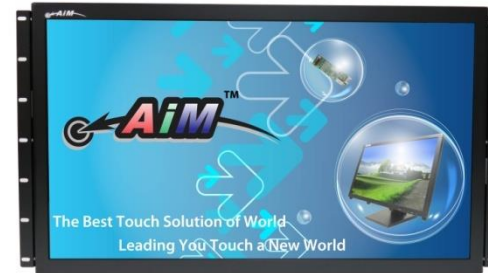
18.5" Infrared Ray Multi-Touch Monitor (1366*768)

Products application :

- POS Terminal
- Industrial PC
- Kiosk
- Gaming
- Medical apparatus
- Personal computer
- Mobile GPS
- Office automation
- Security system of the house
- Car-mounted amusement
- Military equipment
- Communicate



AIM-TMIR185-R01W



AIM-TMOPIR185-R01W

Order information :

Touch interface :

Mount type :

AIM-TMIR185-R01W

USB (Multi-Touch*2)

VESA (Without Stand)

AIM-TMOPIR185-R01W

USB (Multi-Touch*2)

Embedded (Open Frame)

AIM-TMIR185-R01W A

USB (Multi-Touch*2)

Foldable Stand (1.4kg)

AIM-TMIR185-R01W P

USB (Multi-Touch*2)

Photo Stand (1kg)

AIM-TMIR185-R01W V

USB (Multi-Touch*2)

POS Stand (1.1kg)

AIM-TMIR185-R01W Y

USB (Multi-Touch*2)

Ergonomic Stand (3kg)



18.5" Infrared Ray Multi-Touch Monitor (1366*768)

Display Specifications :

| | |
|-----------------------|---|
| Active Area | 409 × 230 mm |
| Pixel Pitch | 0.300 × 0.300 mm |
| Brightness | 250 cd/m ² |
| Contrast Ratio | 1000 : 1 |
| Resolution | 1366 x 768 (WXGA) |
| Viewing Angle | L/R170° ; U/D160° |
| Response Time | 5ms (Tr + Tf) |
| Display Colors | 16.7M |
| Display Modes | 640×480 ; 800×600 ; 1024×768 ; 1280×720 ; 1366×768 |
| Signal input | VGA ; Audio ; DVI |
| Speaker | 1W (8Ω) × 2 |
| OSD Keyboard | ⊙Power ⊙Auto adjust ⊕ ⊖ ⊙Menu |
| Power Source | DC 12V (DC Jack Φ2.1mm) |
| Power Consumption | ≤13w |
| Storage 、 Operation | -20~60°C ; 0~50°C |
| VESA | 75×75 ; 100×100 mm |
| Casing Colors | Black (OEM other colors) |
| Casing Size 、 Weight | 468 × 288 × 52 mm ; 4.2 kg (W×H×D) (Without Stand) |
| Carton 、 gross weight | 550 × 400 × 180 mm ; 5.8 kg (W×H×D) |
| Accessory | VGA cable / Audio cable / AC90~260V Adapter / Power cable / USB cable / Cleaning wipes / Driver Disk ※DVI cable (Optional) |

※AIM Touch has the right to update specs without further notice.



AIM-TMIR185-R01W A



AIM-TMIR185-R01W P



18.5" Infrared Ray Multi-Touch Monitor (1366*768)

Touch Feature :

| | |
|--------------|--|
| Input Method | It detects anything that blocks lights |
| Linearity | ≤2.5mm |
| Surface | ≥7H |
| Life Time | Unlimited |
| Application | Writing and Signature Capture Capability |

Software Feature :

| | |
|-------------------|--|
| Calibration | 4 points or 16 points or 25 points |
| Draw Test | Position and linearity verification |
| Controller | Support multiple controllers |
| Languages | English · Simple Chinese · Traditional Chinese · Japanese · German |
| Mouse Emulator | Right / left button emulation. Auto Right / left Click (PDA function) |
| Touch Style | Drawing a Mode · button a Mode · Touch Off/ on Switch |
| Double Click | Configurable double click speed · Configurable double click area |
| Sound Modes | No sound · Touch down · Touch up |
| Display Support | display rotation · Support multiple monitors |
| Division Pattern | Support two halves and four parts with touch function, you can also create your own division patterns. |
| Settings: | |
| Edge compensation | Support edge compensation and you can also add your own numbers for it. |
| Support O.S | All Windows-32/64bit O.S Android ; Linux ; MAC |



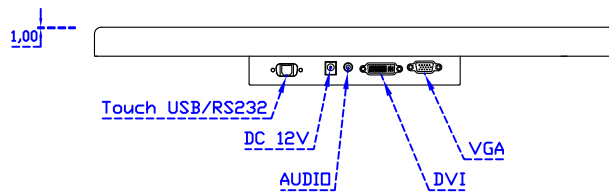
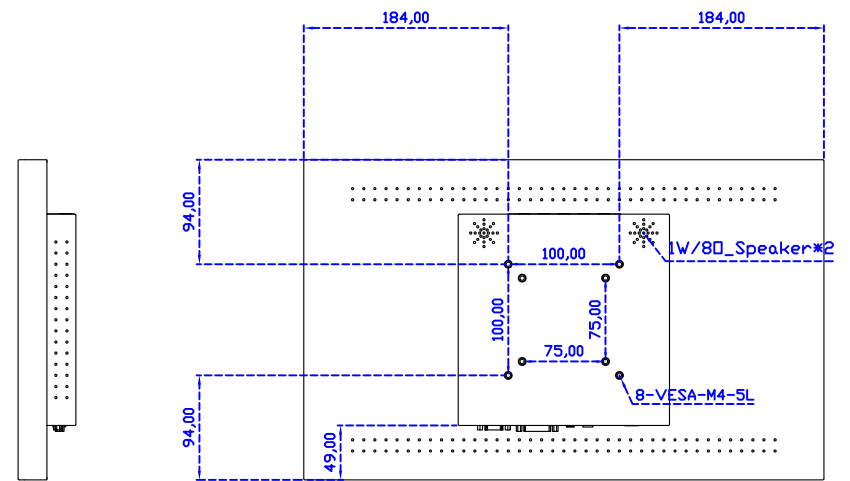
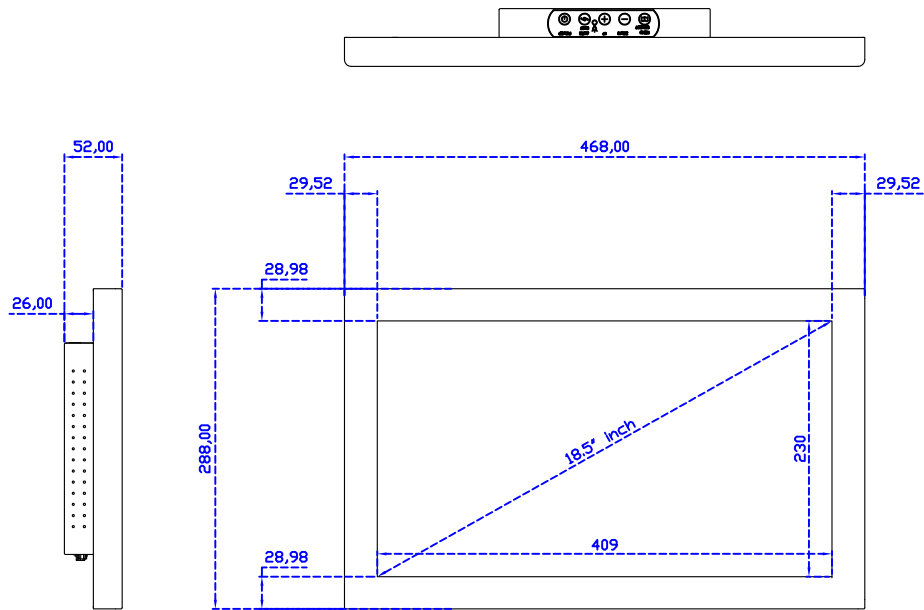
AIM-TMIR185-R01W V



AIM-TMIR185-R01W Y

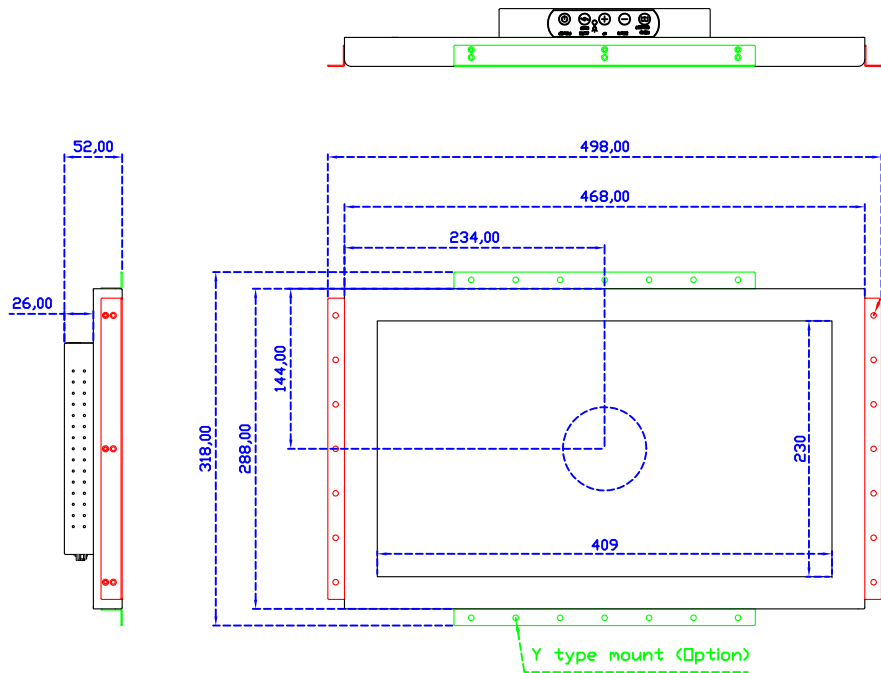


3 Year Warranty
LCD Panel 1 Year



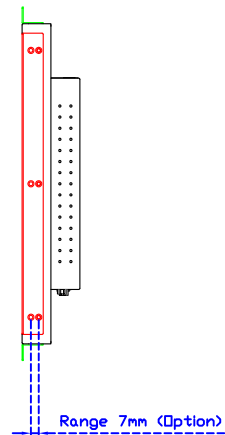
18.5" Touch Monitor.
 (VESA Mount)

AIM-TMIR185-R01W_R03W

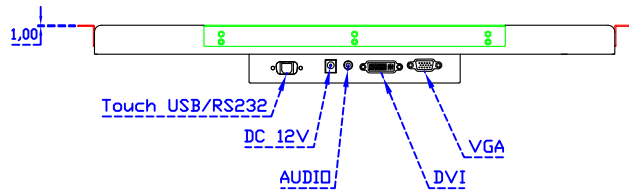
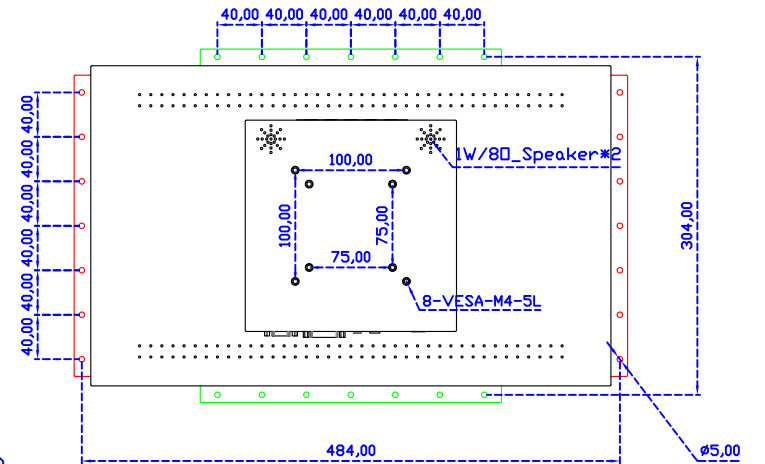


X type mount (Default)

Y type mount (Option)

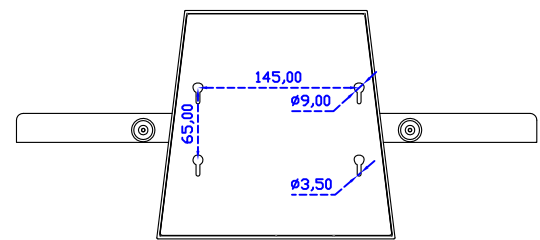
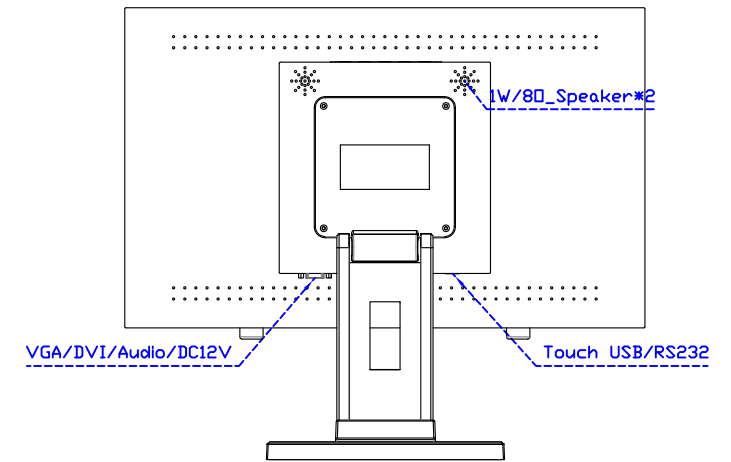
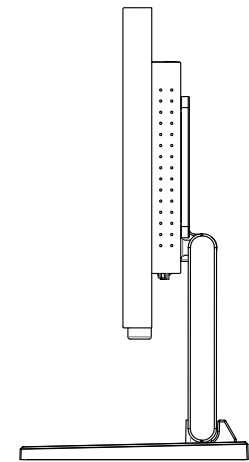
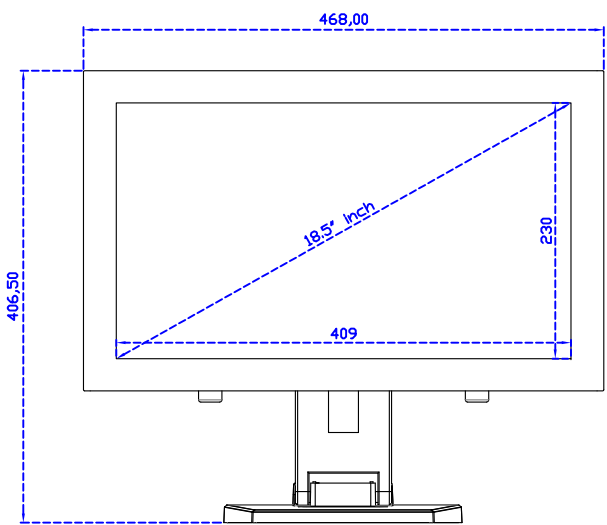
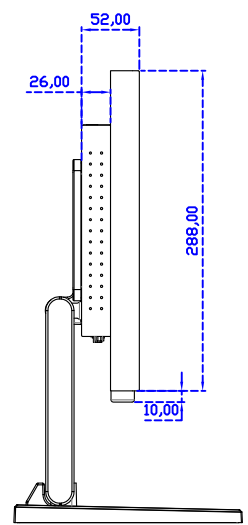
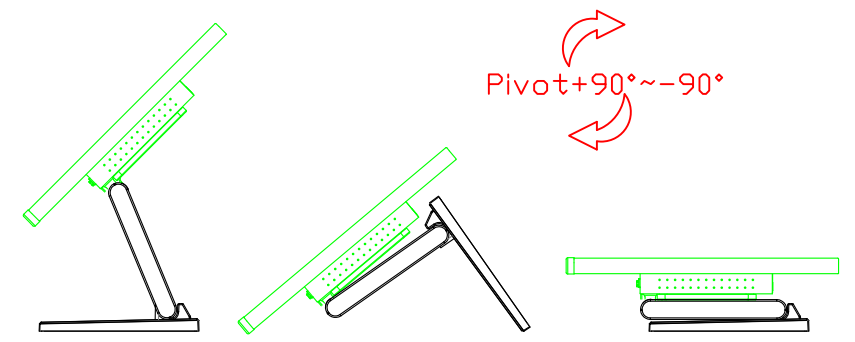
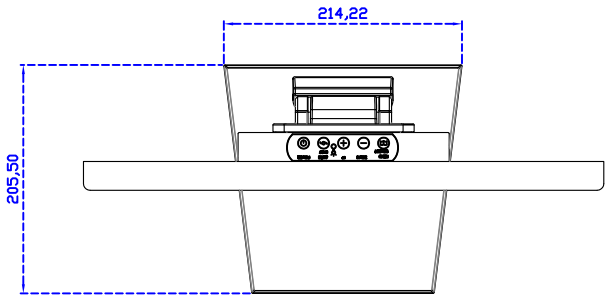


Range 7mm (Option)



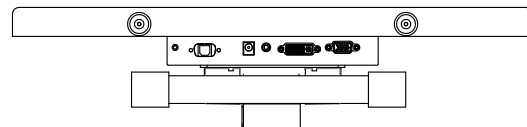
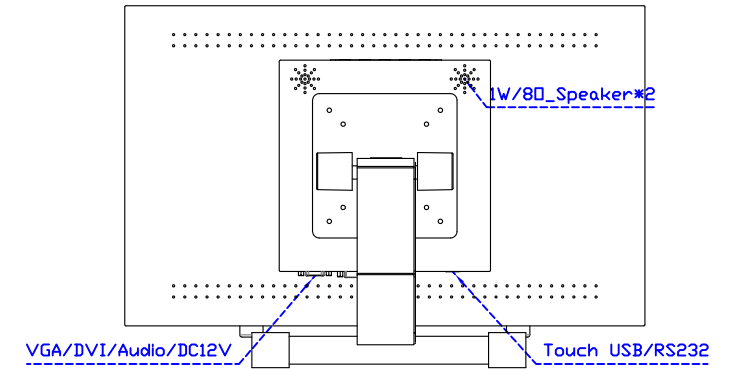
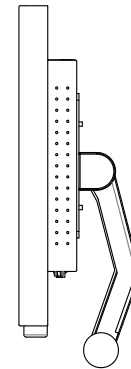
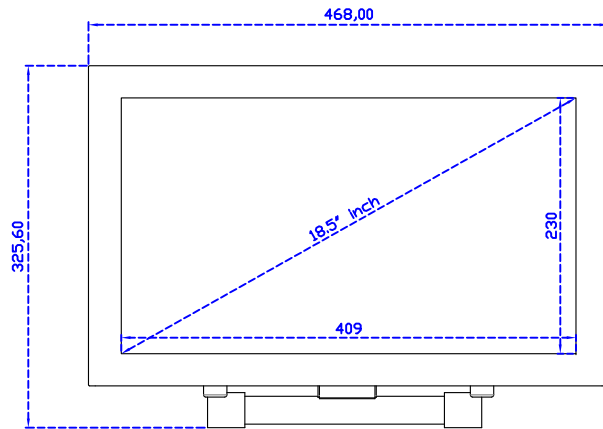
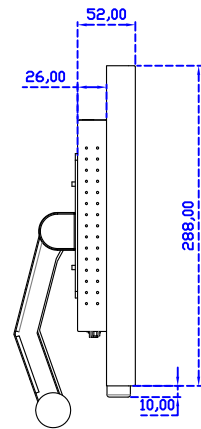
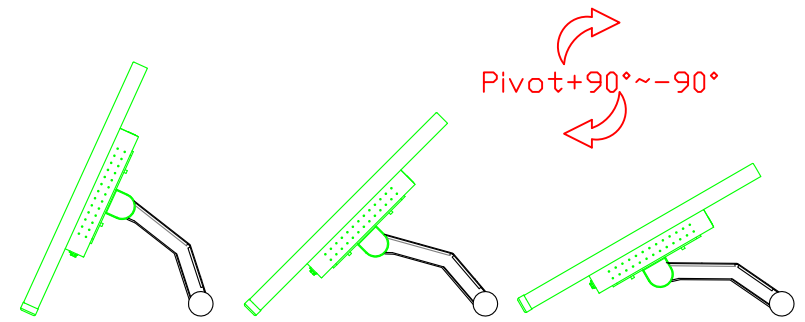
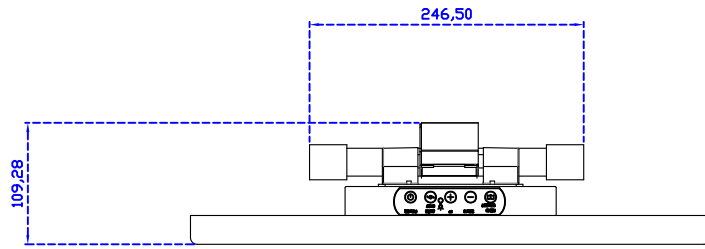
18.5" Embedded Touch Monitor.
(Open Frame)

AIM-TM0PIR185-R01W_R03W



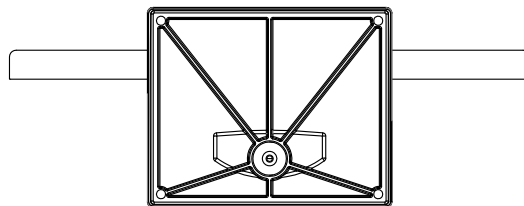
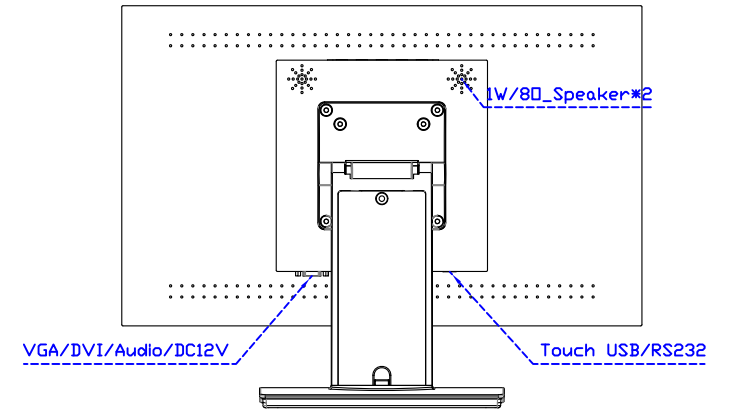
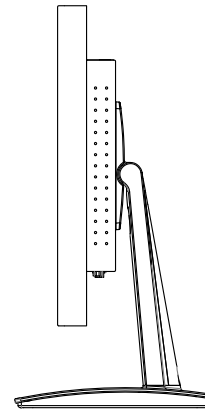
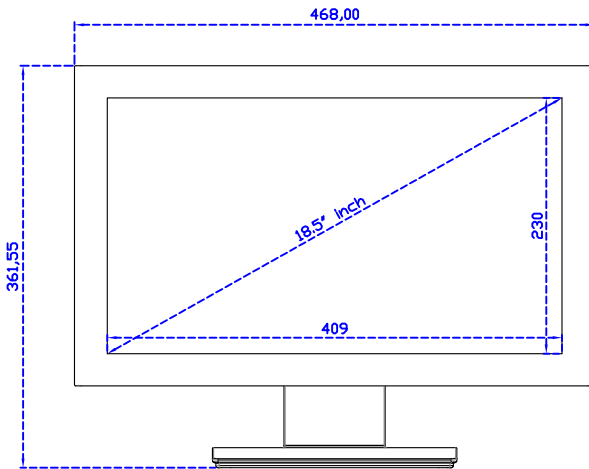
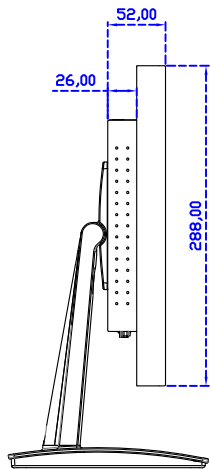
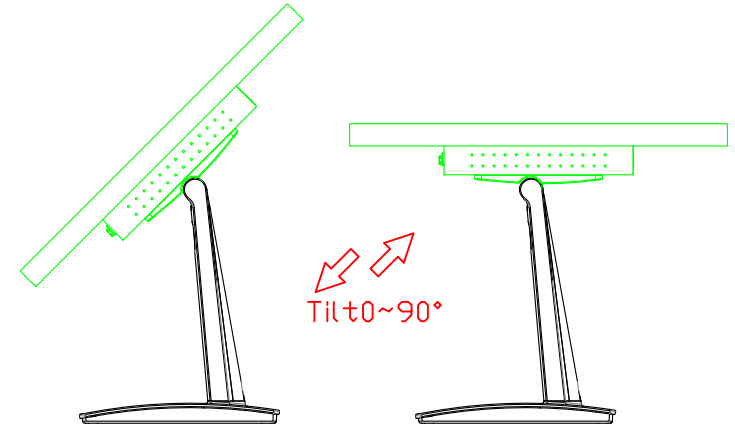
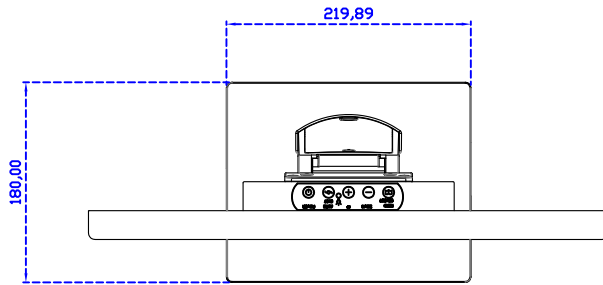
18.5" Desktop Touch Monitor.
(Foldable Stand)

AIM-TMIR185-R01WA_R03WA



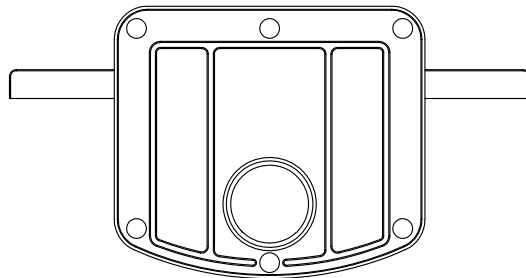
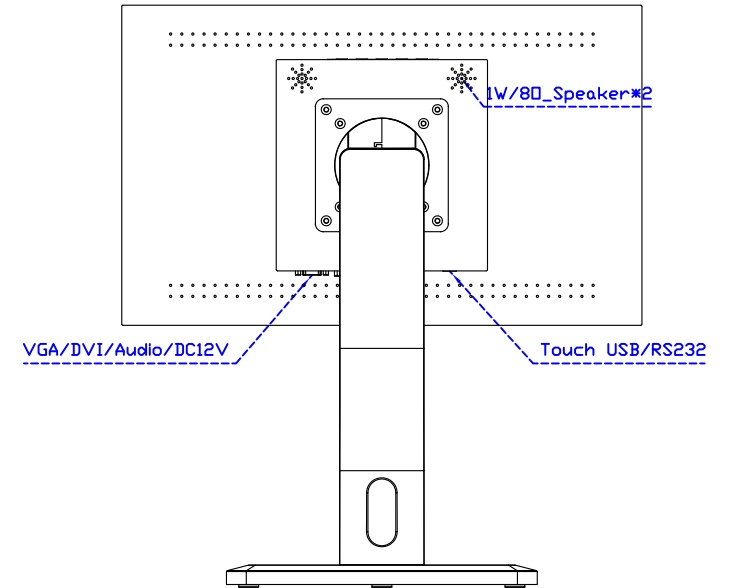
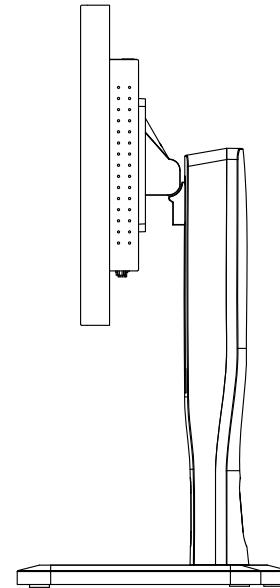
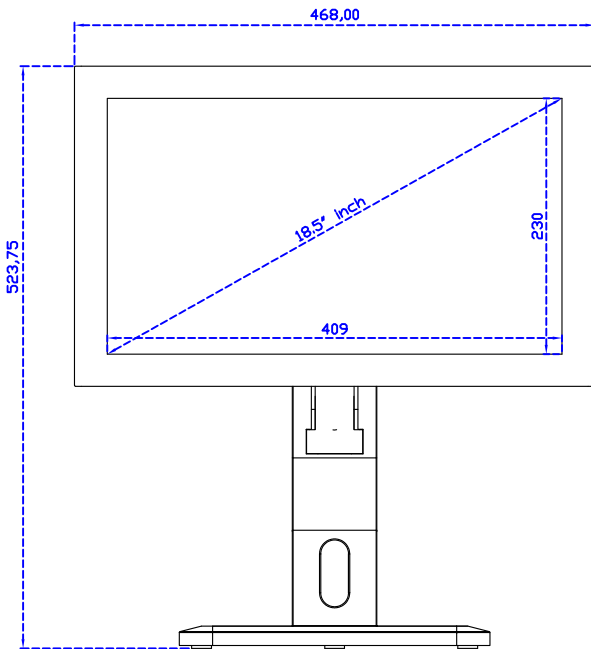
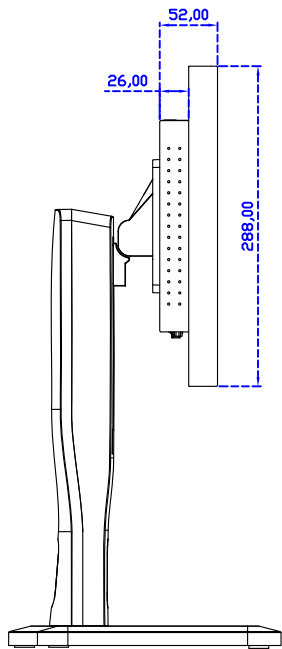
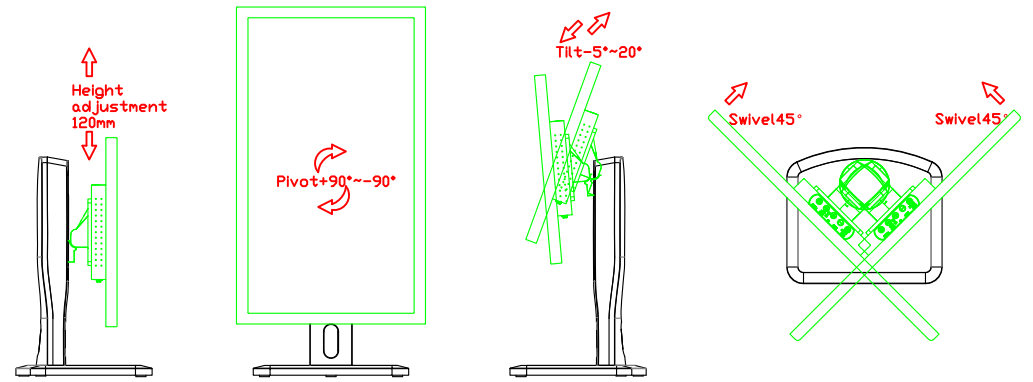
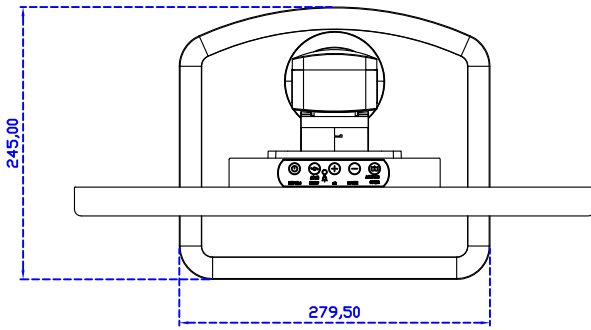
18.5" Desktop Touch Monitor.
(Photo Stand)

AIM-TMIR185-R01WP_R03WP



18.5" Desktop Touch Monitor.
(POS Stand)

AIM-TMIR185-R01WV_R03WV



18.5" Desktop Touch Monitor.
(Ergonomic Stand)

AIM-TMIR185-R01WY_R03WY