

18.5" Resistive Single Touch Monitor (1366*768)

Products application :

- POS Terminal
- Industrial PC
- Kiosk
- Gaming
- Medical apparatus
- Personal computer
- Mobile GPS
- Office automation
- Security system of the house
- Car-mounted amusement
- Military equipment
- Communicate



AIM-TM5R185-R07W



AIM-TMOP5R185-R07W

Order information :

Touch interface :

Mount type :

| | | |
|--------------------|-------|--------------------------|
| AIM-TM5R185-R07W | USB | VESA (Without Stand) |
| AIM-TM5R185-R08W | RS232 | |
| AIM-TMOP5R185-R07W | USB | Embedded (Open Frame) |
| AIM-TMOP5R185-R08W | RS232 | |
| AIM-TM5R185-R07W A | USB | Foldable Stand (1.4kg) |
| AIM-TM5R185-R08W A | RS232 | |
| AIM-TM5R185-R07W P | USB | Photo Stand (1kg) |
| AIM-TM5R185-R08W P | RS232 | |
| AIM-TM5R185-R07W V | USB | POS Stand (1.1kg) |
| AIM-TM5R185-R08W V | RS232 | |
| AIM-TM5R185-R07W Y | USB | Ergonomic Stand (3kg) |
| AIM-TM5R185-R08W Y | RS232 | |



18.5" Resistive Single Touch Monitor (1366*768)

Display Specifications :

| | |
|-----------------------|---|
| Active Area | 409 × 230 mm |
| Pixel Pitch | 0.300 × 0.300 mm |
| Brightness | 250 cd/m ² |
| Contrast Ratio | 1000 : 1 |
| Resolution | 1366 x 768 (WXGA) |
| Viewing Angle | L/R170° ; U/D160° |
| Response Time | 5ms (Tr + Tf) |
| Display Colors | 16.7M |
| Display Modes | 640×480 ; 800×600 ; 1024×768 ; 1280×720 ; 1366×768 |
| Signal input | VGA ; Audio ; Display Port ; HDMI |
| Speaker | 1W (8Ω) × 2 |
| OSD Keyboard | ⊙Power ⊙Auto adjust ⊕ ⊖ ⊙Menu |
| Power Source | DC 12V (DC Jack Φ2.1mm) |
| Power Consumption | ≤13w |
| Storage 、 Operation | -20~60°C ; 0~50°C |
| VESA | 75×75 ; 100×100 mm |
| Casing Colors | Black (OEM other colors) |
| Casing Size 、 Weight | 440 × 265 × 51 mm ; 4.2 kg (W×H×D) (Without Stand) |
| Carton 、 gross weight | 550 × 400 × 180 mm ; 5.8 kg (W×H×D) |
| Accessory | VGA cable / HDMI cable / Audio cable / AC90~260V Adapter / Power cable / USB or RS232 cable / Touch pen / Cleaning wipes / Driver Disk ※DP cable (Optional) |

※AiM Touch has the right to update specs without further notice



AIM-TM5R185-R07W A



AIM-TM5R185-R07W P



18.5" Resistive Single Touch Monitor (1366*768)

Touch Feature :

| | |
|------------------|---|
| Input Method | Finger, gloved hand, or stylus activation |
| Activation Force | ≤50g |
| Linearity | ≤1.5% |
| Surface | ≥3H |
| Life Time | ≥35,000,000 |
| Application | Writing and Signature Capture Capability |

Software Feature :

| | |
|------------------|---|
| Calibration | Fast full oriental 4 points position |
| Compensation | Edge compensation. Accuracy 25 points linearity compensation |
| Draw Test | Position and linearity verification |
| Controller | Support multiple controllers |
| Languages | English · Simple Chinese · Traditional Chinese · Japanese · French · German · Spanish · Korean · Arabic · Czech · Danish · Dutch · Greek · Hungarian · Italian · Norwegian · Russian · Polish · Portuguese · Slovenian · Swedish · Thai · Turkish |
| Mouse Emulator | Right / left button emulation. Auto Right / left Click (PDA function) |
| Touch Style | Drawing a Mode · button a Mode · Touch Off/ on Switch |
| Double Click | Configurable double click speed · Configurable double click area |
| Sound Modes | No sound · Touch down · Touch up |
| COM Port Support | COM1 ~ COM255 for Windows and Linux COM1 ~ COM8 for MS- DOS |
| Display Support | display rotation · Support multiple monitors |
| Support O.S | All Windows-32/64bit O.S Android ; Linux ; MAC |



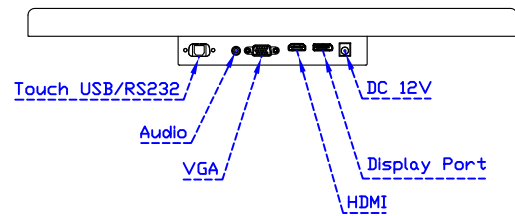
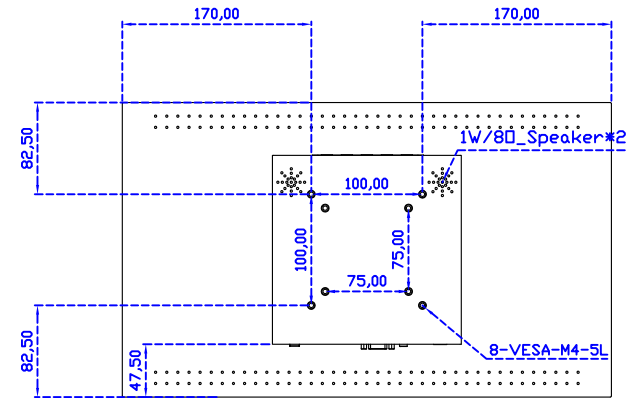
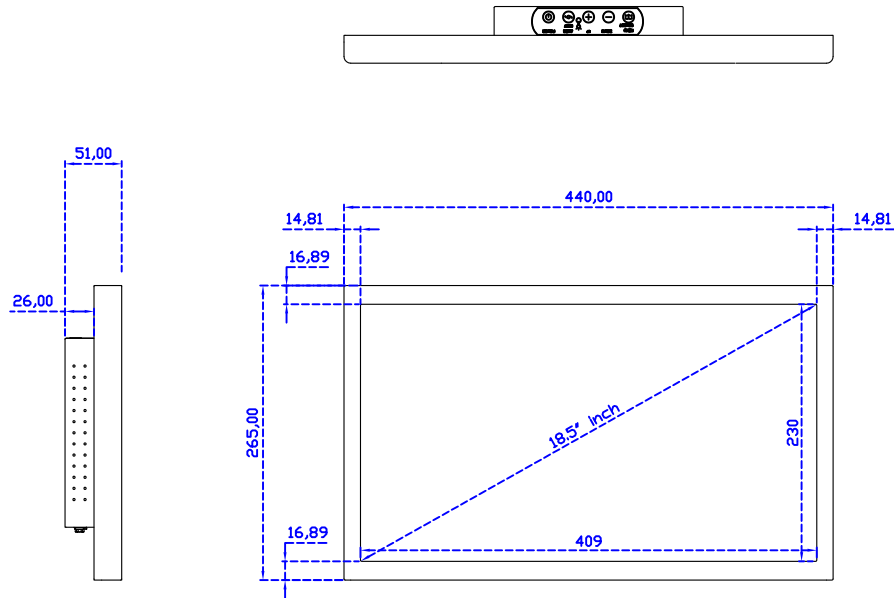
AIM-TM5R185-R07W V



AIM-TM5R185-R07W Y

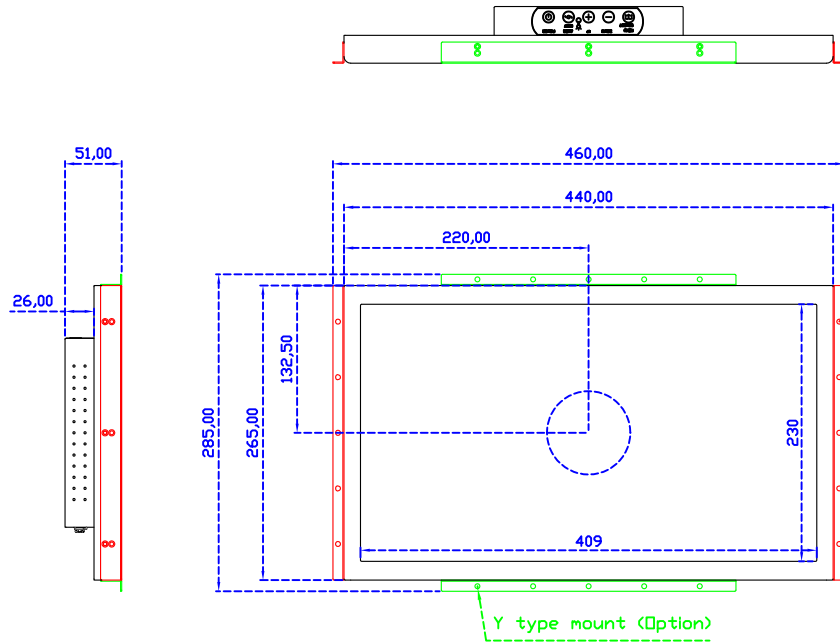


3 Year Warranty
LCD Panel 1 Year

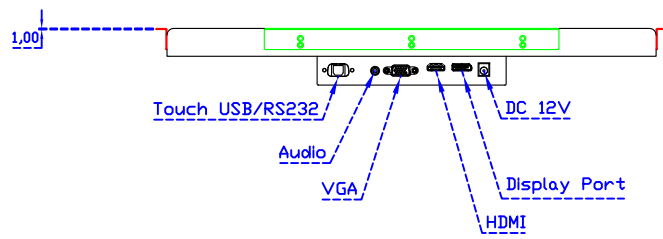
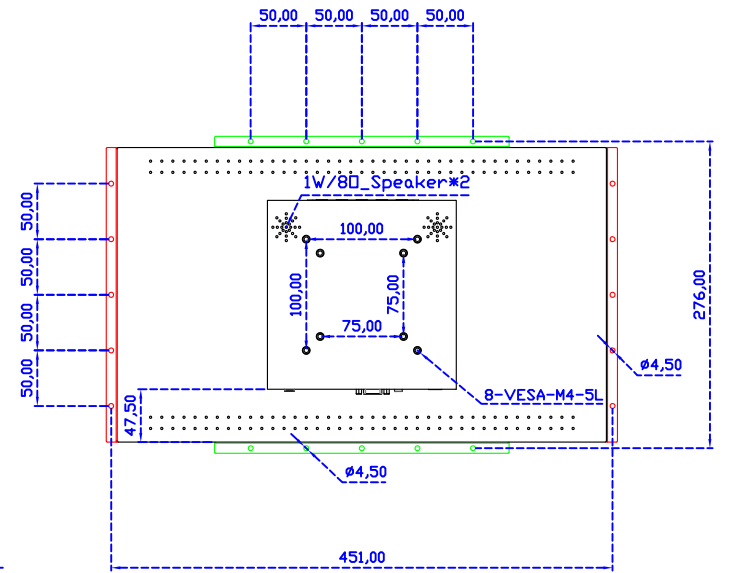
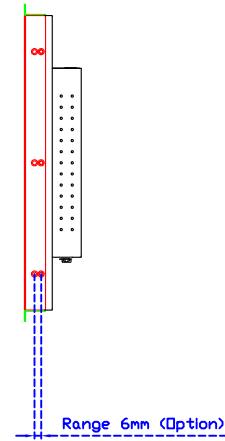


18.5" Touch Monitor.
 (VESA Mount)

AIM-TMxxx185-R07W_R09W

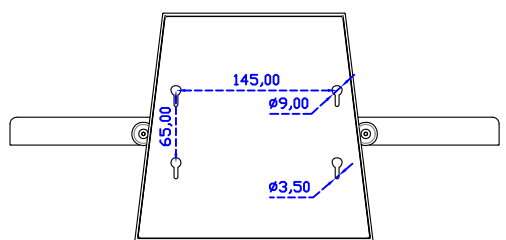
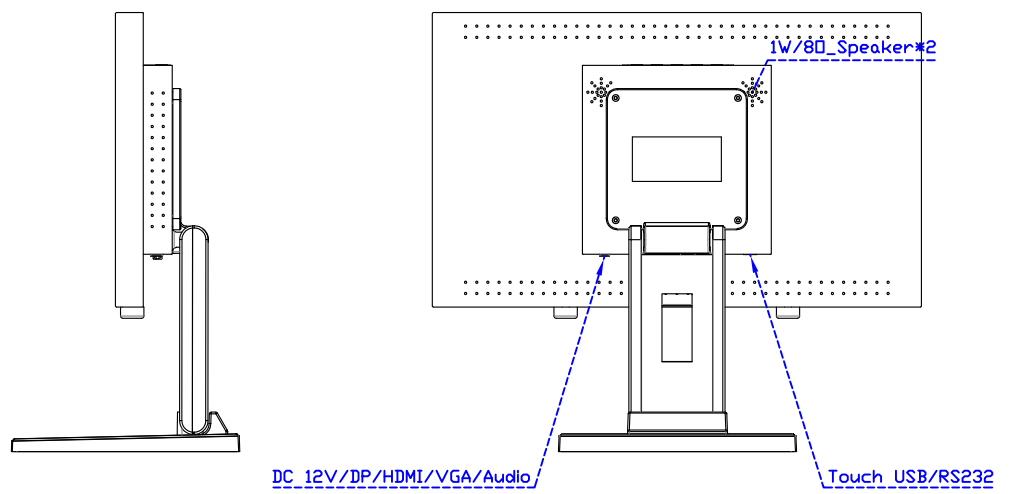
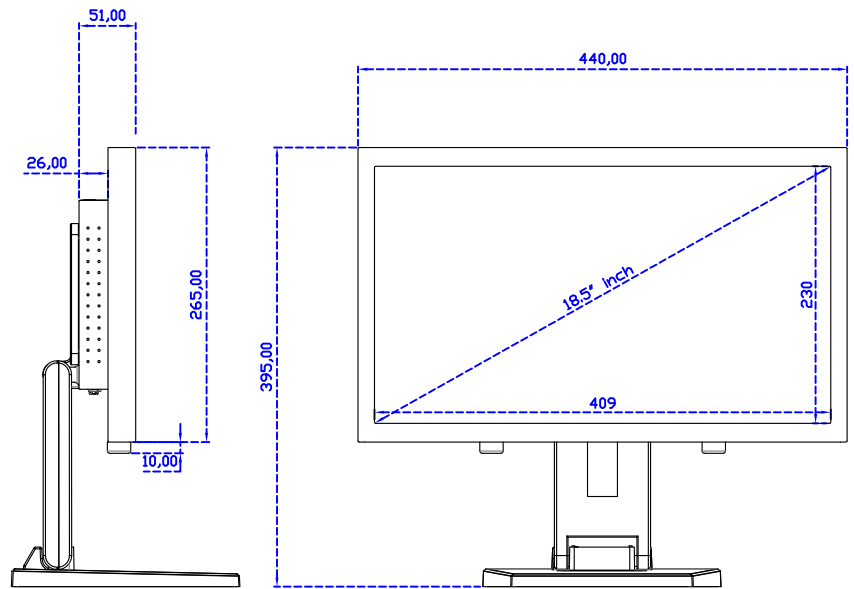
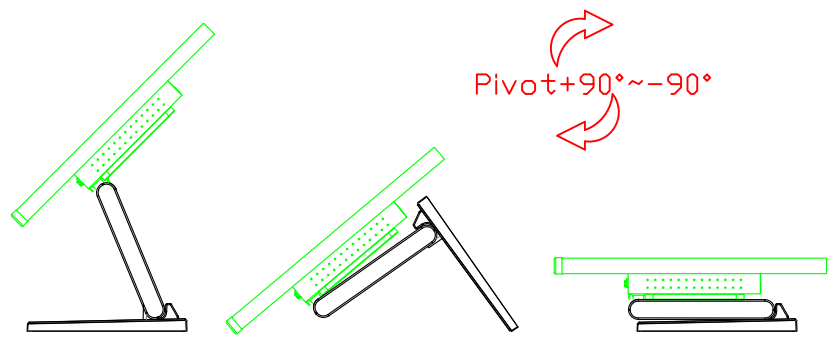
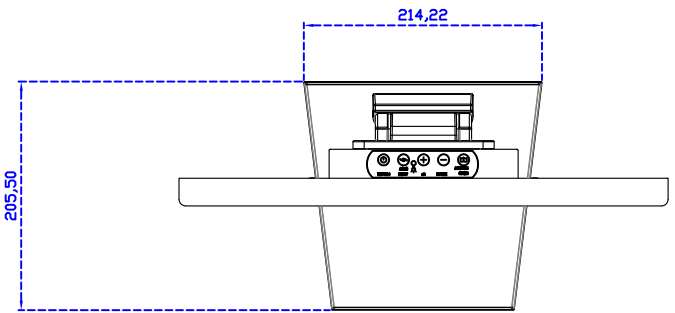


X type mount (Default)



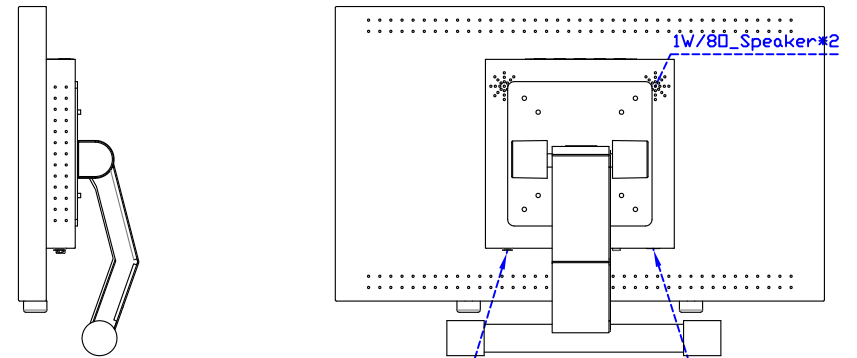
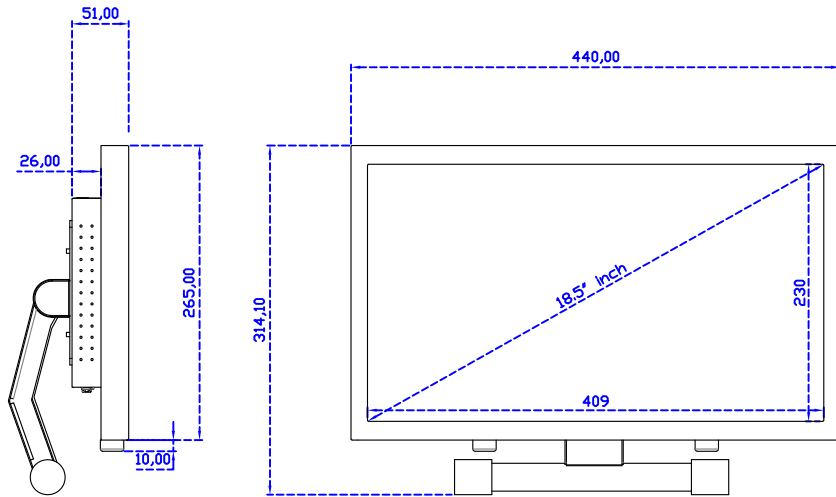
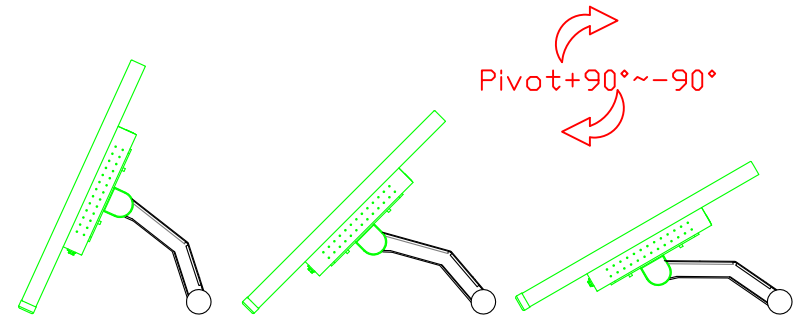
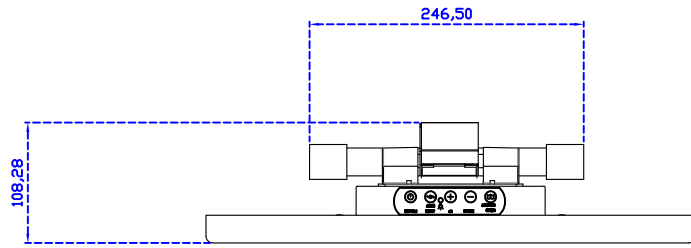
18.5" Embedded Touch Monitor.
(Open Frame)

AIM-TMOPxxxx185-R07W_R09W



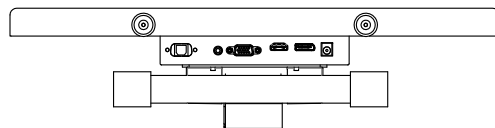
18.5" Desktop Touch Monitor.
(Foldable Stand)

AIM-TMxxxx185-R07WA_R09WA



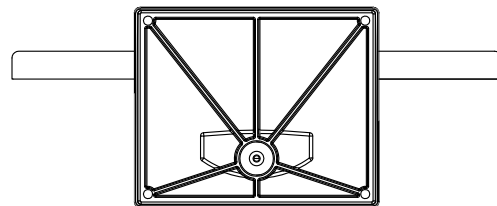
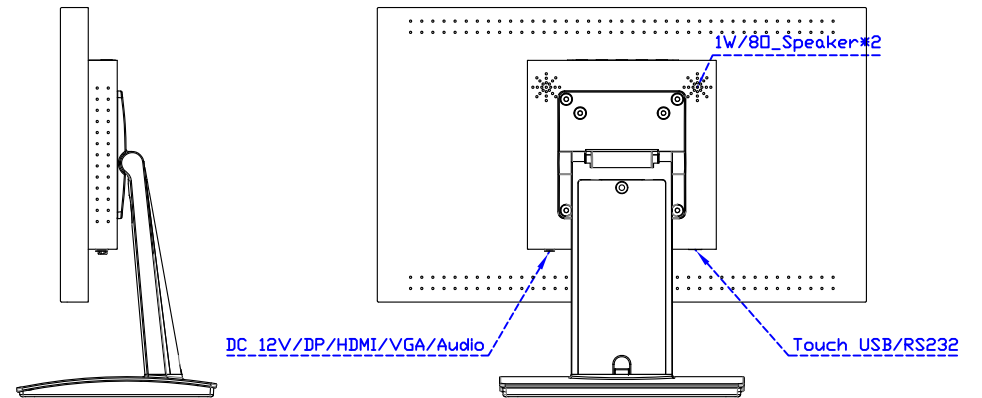
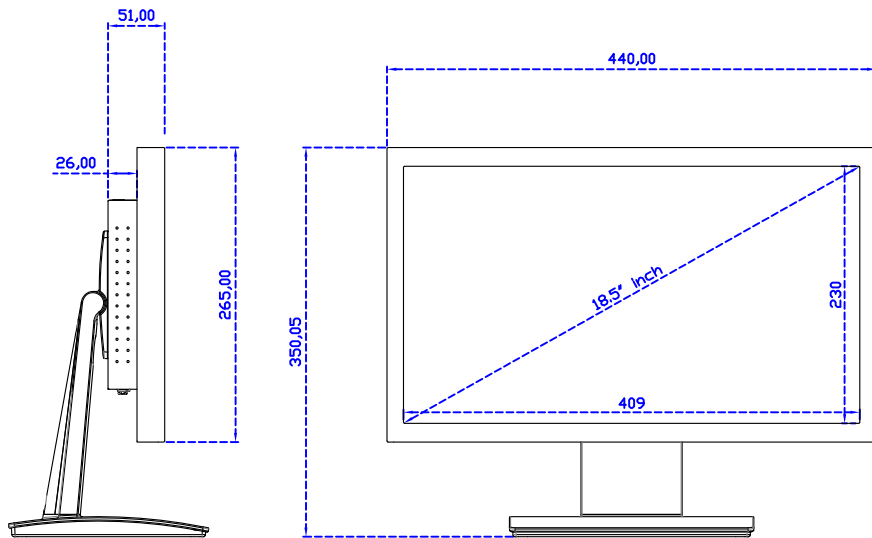
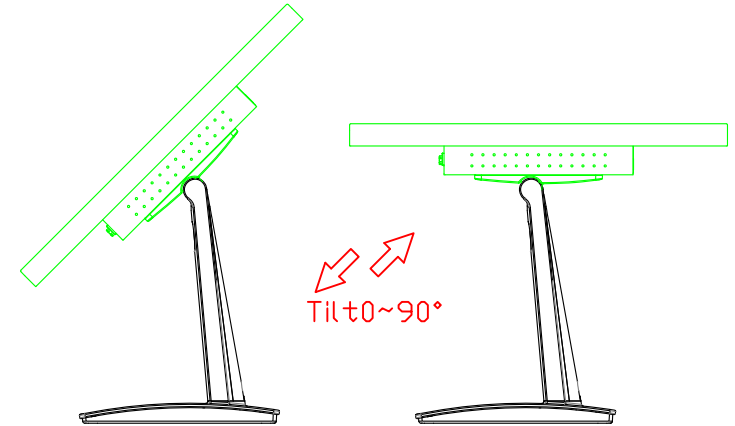
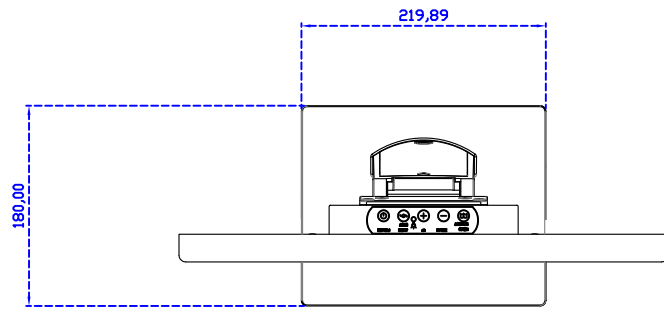
DC_12V/DP/HDMI/VGA/Audio

Touch_USB/RS232



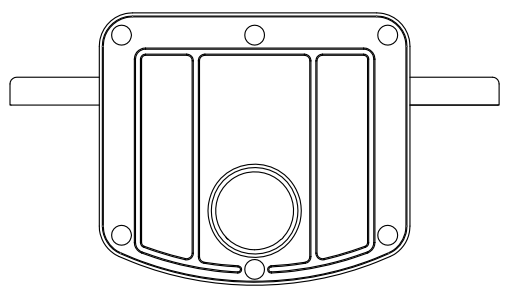
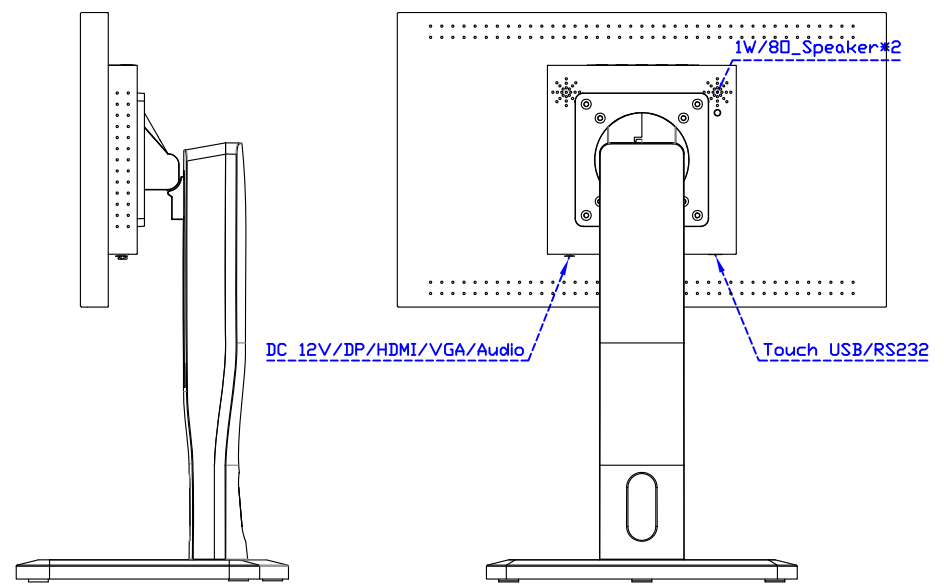
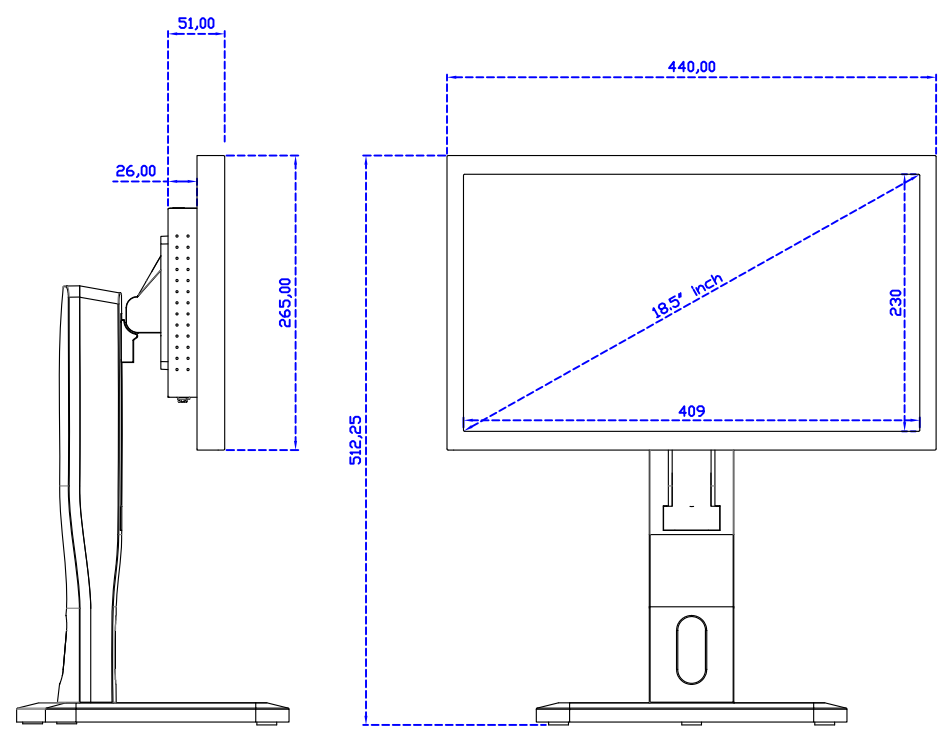
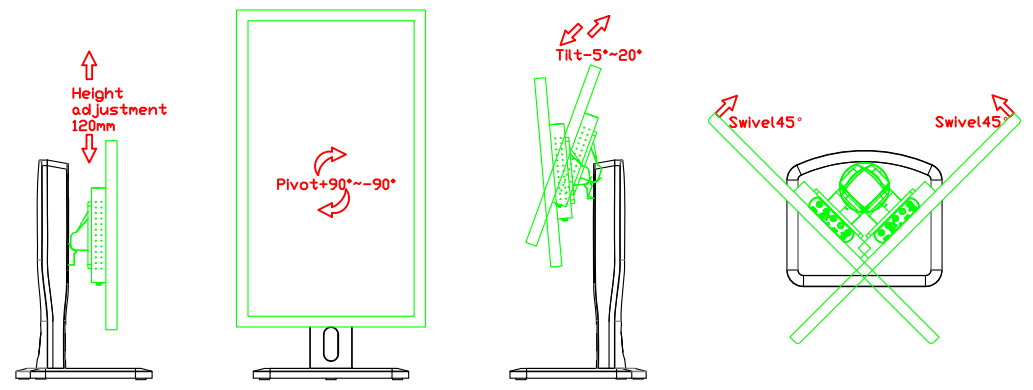
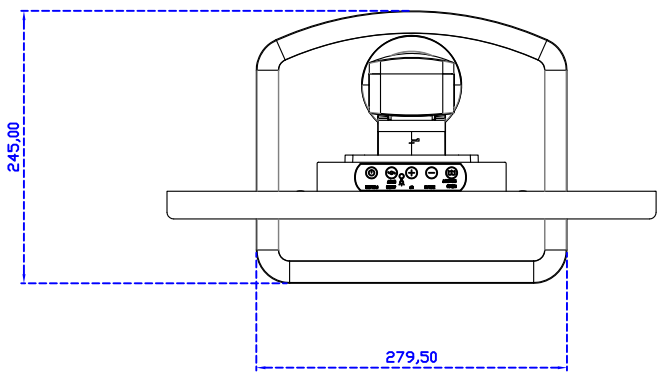
18.5" Desktop Touch Monitor.
(Photo Stand)

AIM-TMxxxx185-R07WP_R09WP



18.5" Desktop Touch Monitor.
(PQS Stand)

AIM-TMxxxx185-R07wV_R09wV



18.5" Desktop Touch Monitor.
(Ergonomic Stand)

AIM-TMxxxx185-R07WY_R09WY