

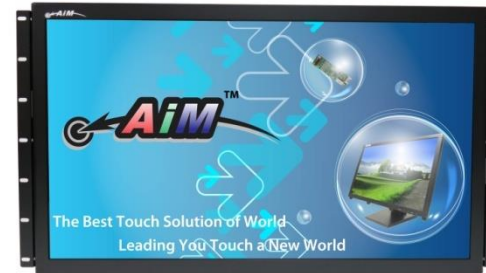
18.5" Resistive Single Touch Monitor (1366*768)

Products application :

- POS Terminal
- Industrial PC
- Kiosk
- Gaming
- Medical apparatus
- Personal computer
- Mobile GPS
- Office automation
- Security system of the house
- Car-mounted amusement
- Military equipment
- Communicate



AIM-TM5R185-R01W



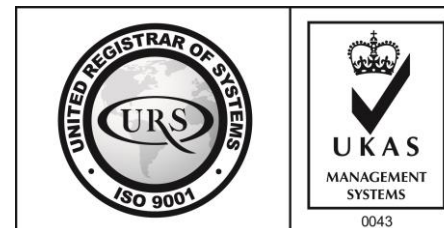
AIM-TMOP5R185-R01W

Order information :

Touch interface :

Mount type :

AIM-TM5R185-R01W	USB	VESA (Without Stand)
AIM-TM5R185-R02W	RS232	
AIM-TMOP5R185-R01W	USB	Embedded (Open Frame)
AIM-TMOP5R185-R02W	RS232	
AIM-TM5R185-R01W A	USB	Foldable Stand (1.4kg)
AIM-TM5R185-R02W A	RS232	
AIM-TM5R185-R01W P	USB	Photo Stand (1kg)
AIM-TM5R185-R02W P	RS232	
AIM-TM5R185-R01W V	USB	POS Stand (1.1kg)
AIM-TM5R185-R02W V	RS232	
AIM-TM5R185-R01W Y	USB	Ergonomic Stand (3kg)
AIM-TM5R185-R02W Y	RS232	



18.5" Resistive Single Touch Monitor (1366*768)

Display Specifications :

Active Area	409 × 230 mm
Pixel Pitch	0.300 × 0.300 mm
Brightness	250 cd/m ²
Contrast Ratio	1000 : 1
Resolution	1366 x 768 (WXGA)
Viewing Angle	L/R170° ; U/D160°
Response Time	5ms (Tr + Tf)
Display Colors	16.7M
Display Modes	640×480 ; 800×600 ; 1024×768 ; 1280×720 ; 1366×768
Signal input	VGA ; Audio ; DVI
Speaker	1W (8Ω) × 2
OSD Keyboard	⊙Power ⊙Auto adjust ⊕ ⊖ ⊙Menu
Power Source	DC 12V (DC Jack Φ2.1mm)
Power Consumption	≤13w
Storage 、 Operation	-20~60°C ; 0~50°C
VESA	75×75 ; 100×100 mm
Casing Colors	Black (OEM other colors)
Casing Size 、 Weight	440 × 265 × 51 mm ; 4.2 kg (W×H×D) (Without Stand)
Carton 、 gross weight	550 × 400 × 180 mm ; 5.8 kg (W×H×D)
Accessory	VGA cable / Audio cable / AC90~260V Adapter / Power cable / USB or RS232 cable / Touch pen / Cleaning wipes / Driver Disk ※DVI cable (Optional)

※AiM Touch has the right to update specs without further notice



AIM-TM5R185-R01W A



AIM-TM5R185-R01W P



18.5" Resistive Single Touch Monitor (1366*768)

Touch Feature :

Input Method	Finger, gloved hand, or stylus activation
Activation Force	≤50g
Linearity	≤1.5%
Surface	≥3H
Life Time	≥35,000,000
Application	Writing and Signature Capture Capability

Software Feature :

Calibration	Fast full oriental 4 points position
Compensation	Edge compensation. Accuracy 25 points linearity compensation
Draw Test	Position and linearity verification
Controller	Support multiple controllers
Languages	English · Simple Chinese · Traditional Chinese · Japanese · French · German · Spanish · Korean · Arabic · Czech · Danish · Dutch · Greek · Hungarian · Italian · Norwegian · Russian · Polish · Portuguese · Slovenian · Swedish · Thai · Turkish
Mouse Emulator	Right / left button emulation. Auto Right / left Click (PDA function)
Touch Style	Drawing a Mode · button a Mode · Touch Off/ on Switch
Double Click	Configurable double click speed · Configurable double click area
Sound Modes	No sound · Touch down · Touch up
COM Port Support	COM1 ~ COM255 for Windows and Linux COM1 ~ COM8 for MS- DOS
Display Support	display rotation · Support multiple monitors
Support O.S	All Windows-32/64bit O.S Android ; Linux ; MAC



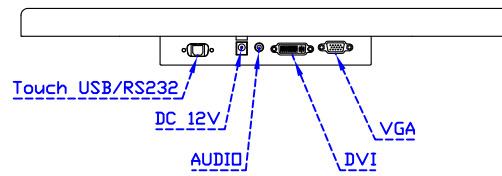
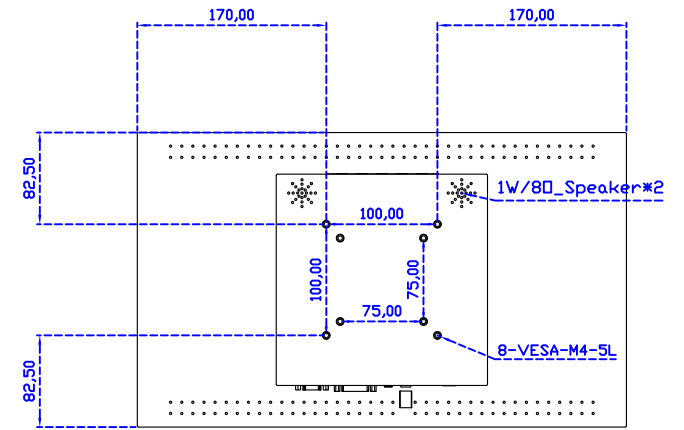
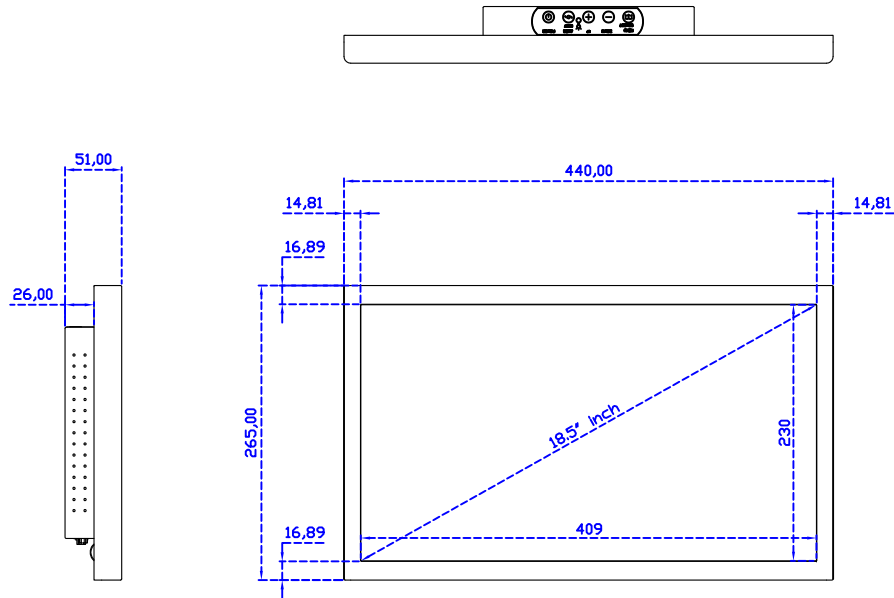
AIM-TM5R185-R01W V



AIM-TM5R185-R01W Y

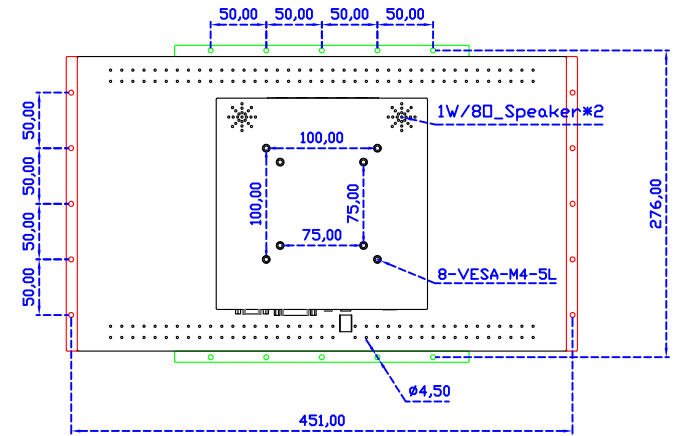
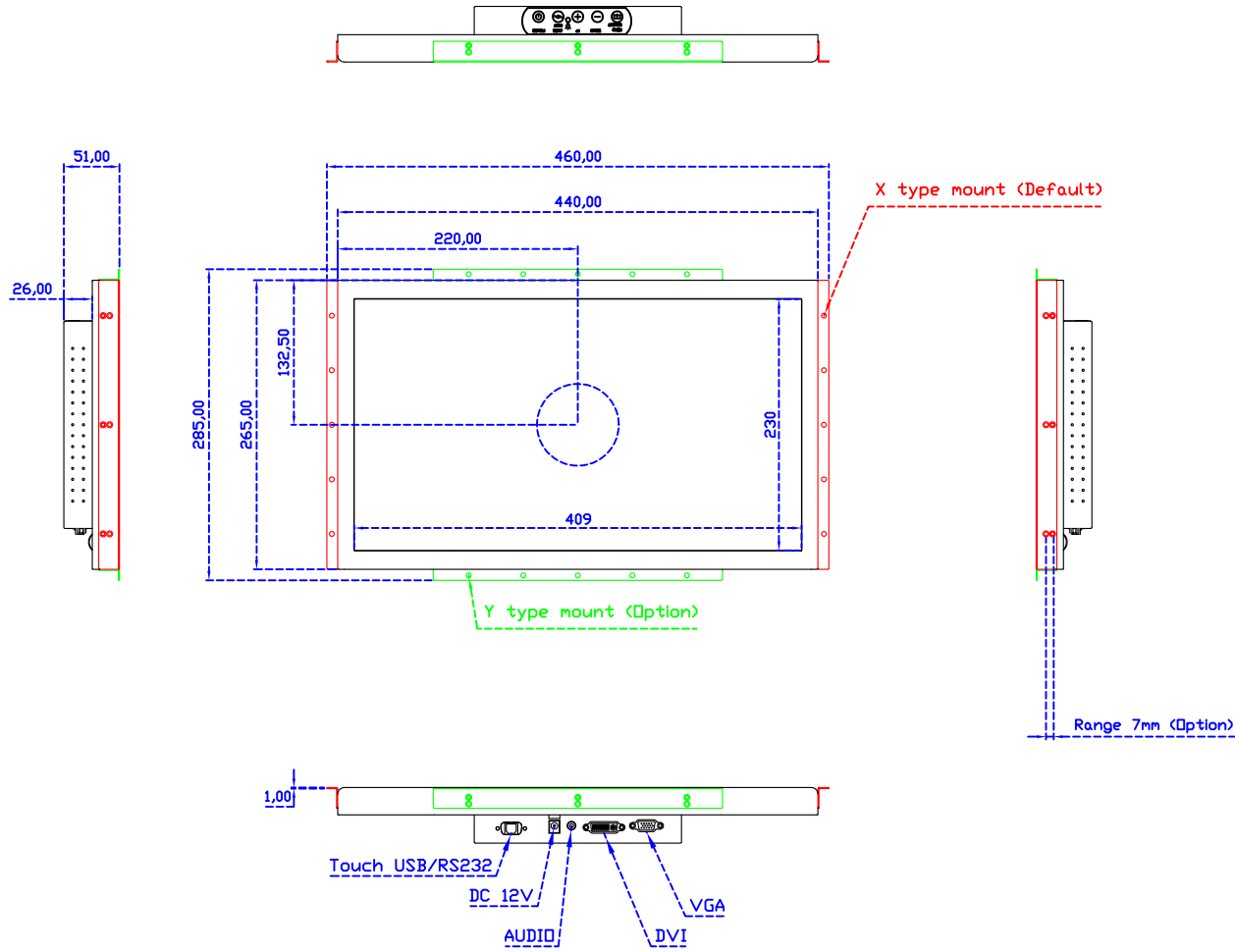


3 Year Warranty
LCD Panel 1 Year



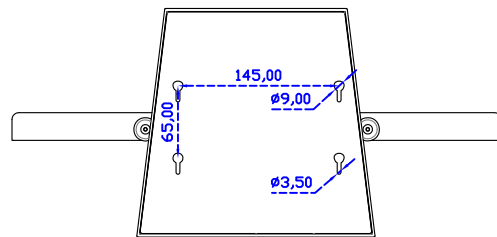
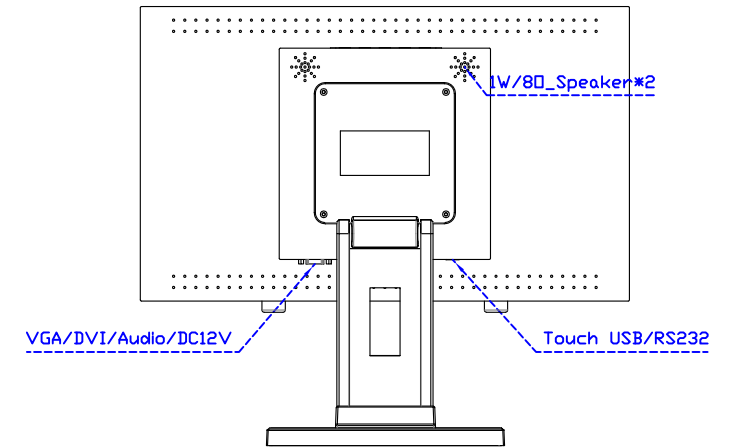
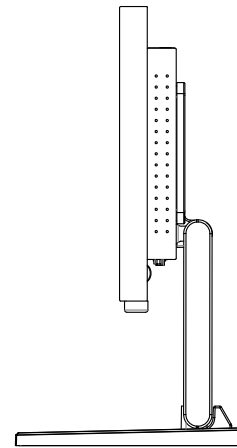
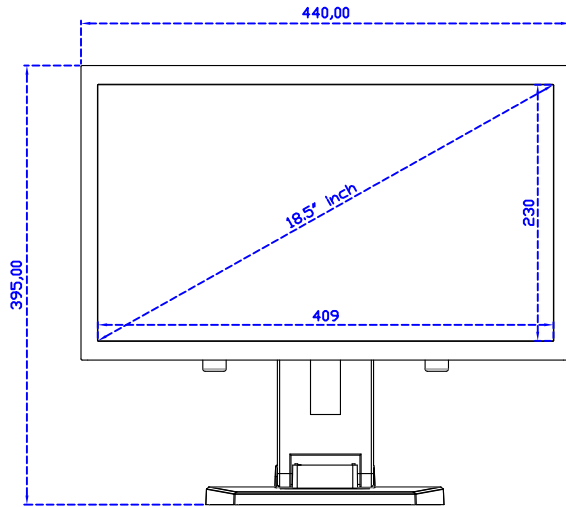
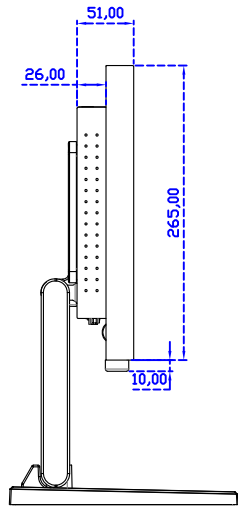
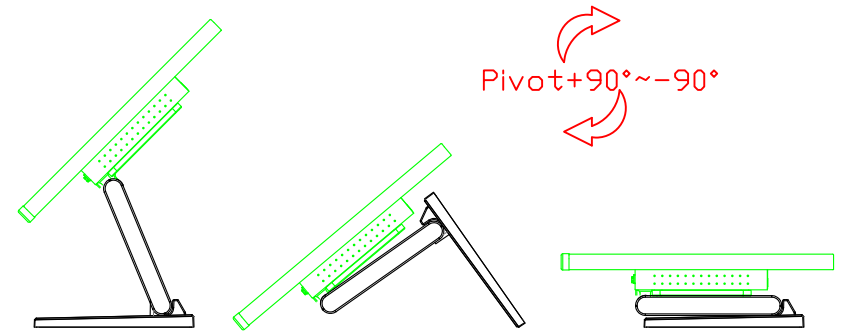
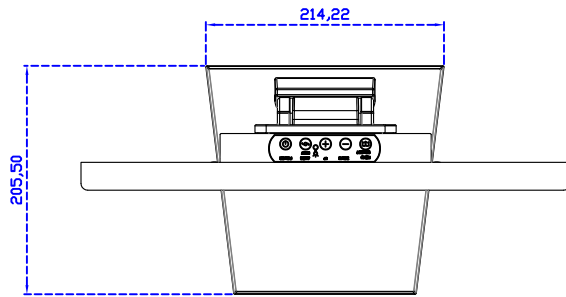
18.5" Touch Monitor.
 (VESA Mount)

AIM-TMxxxx185-R01W_R03W



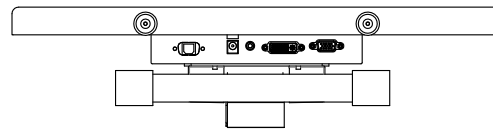
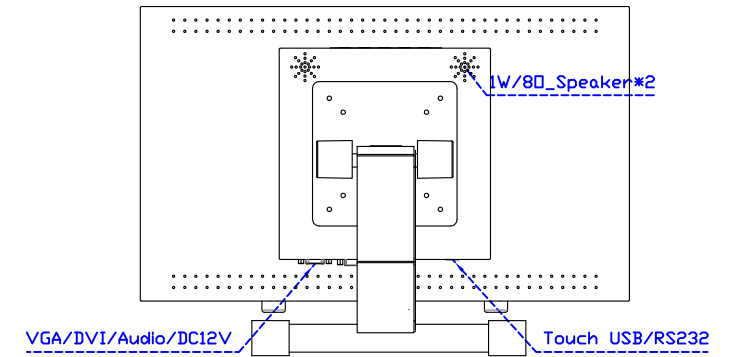
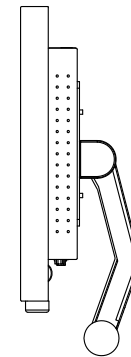
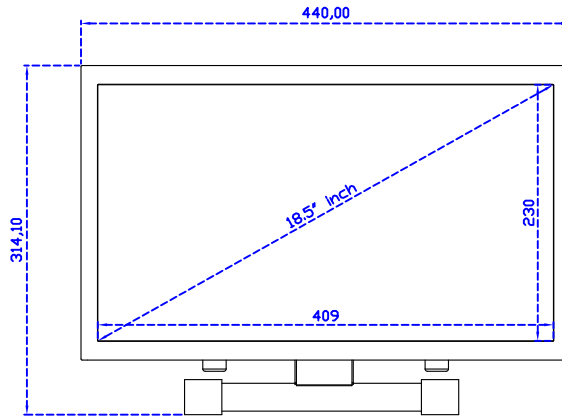
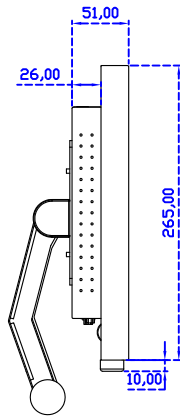
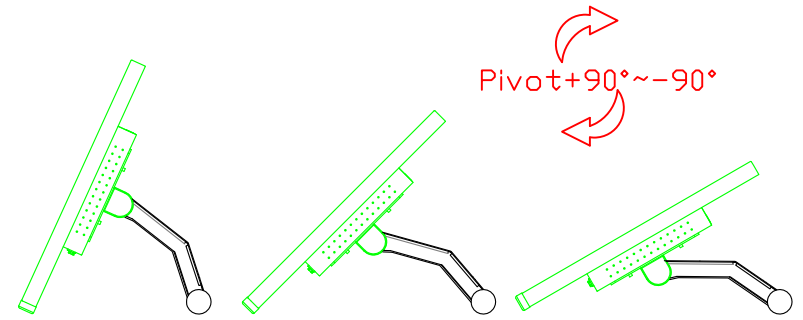
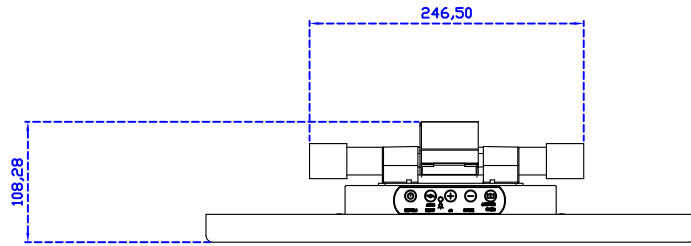
18.5" Embedded Touch Monitor.
(Open Frame)

AIM-TMOPxxxx185-R01W_R03W



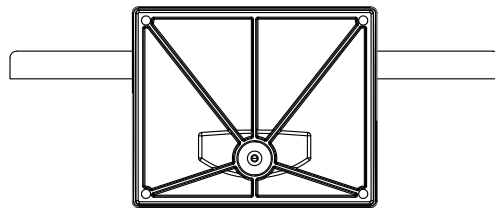
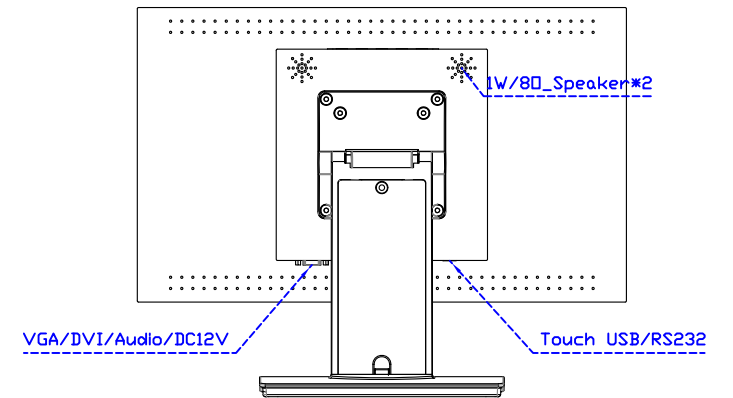
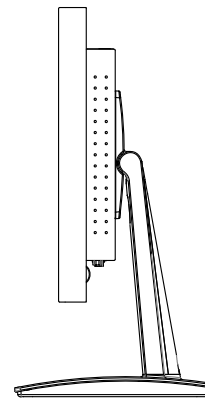
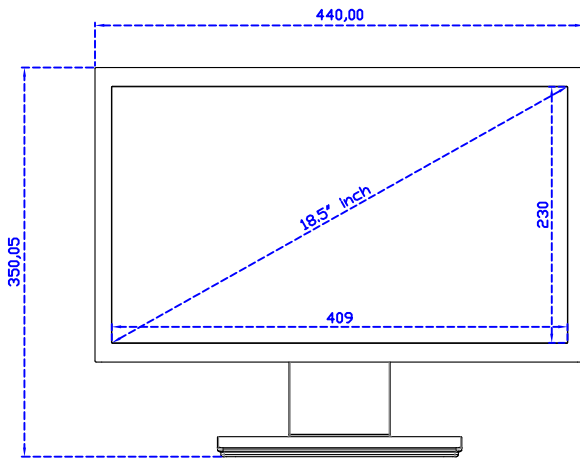
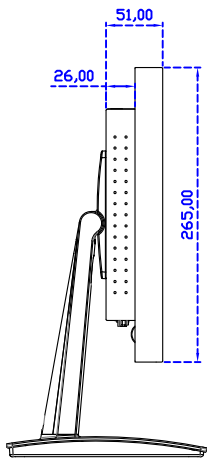
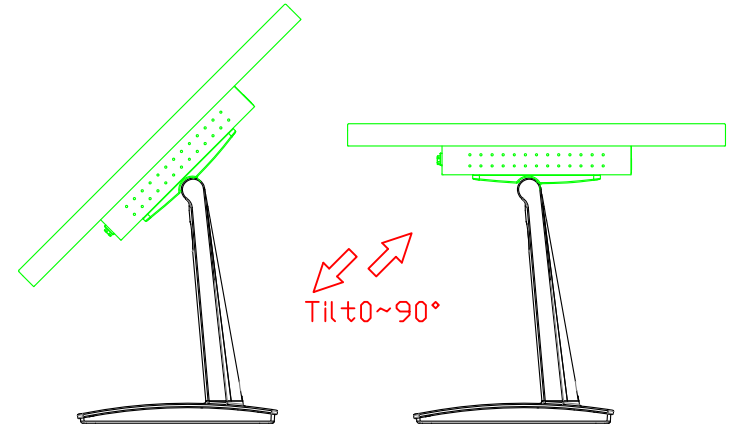
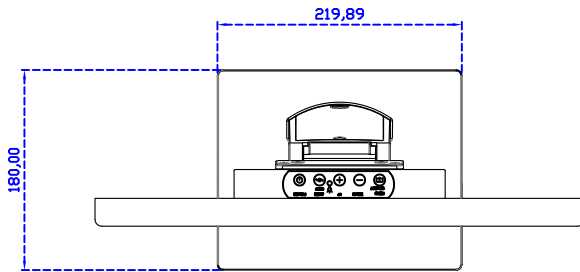
18.5" Desktop Touch Monitor.
(Foldable Stand)

AIM-TMxxxx185-R01WA_R03WA



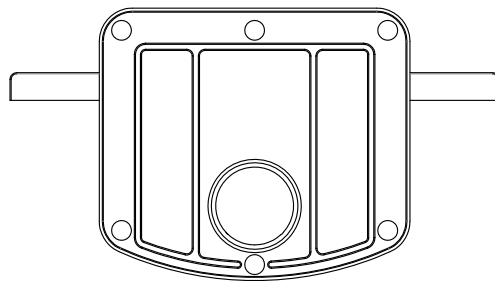
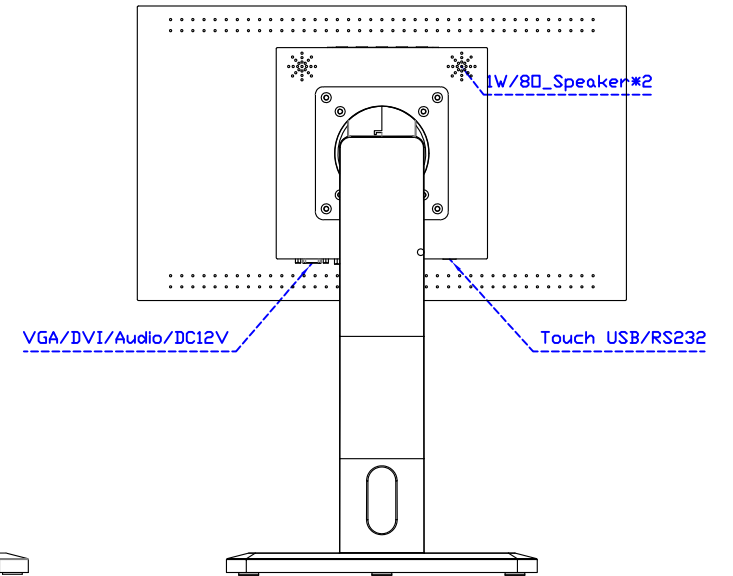
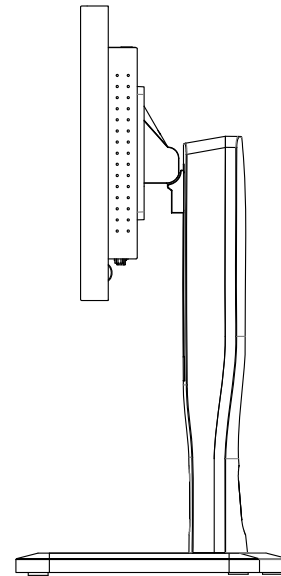
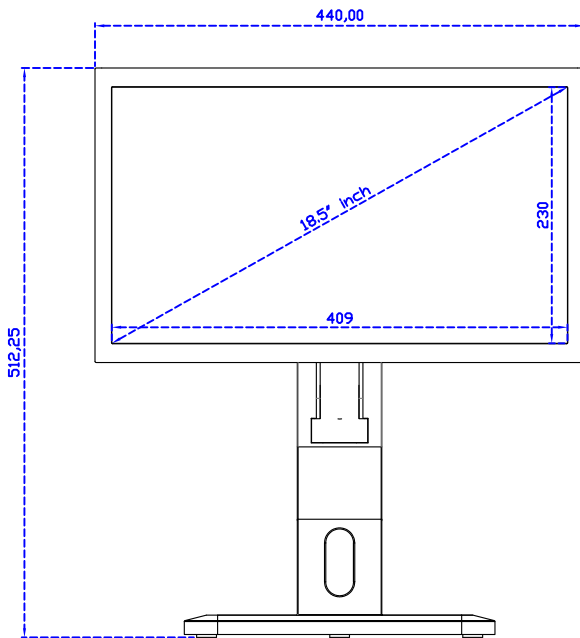
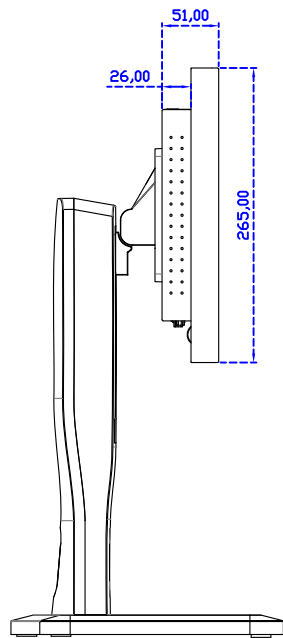
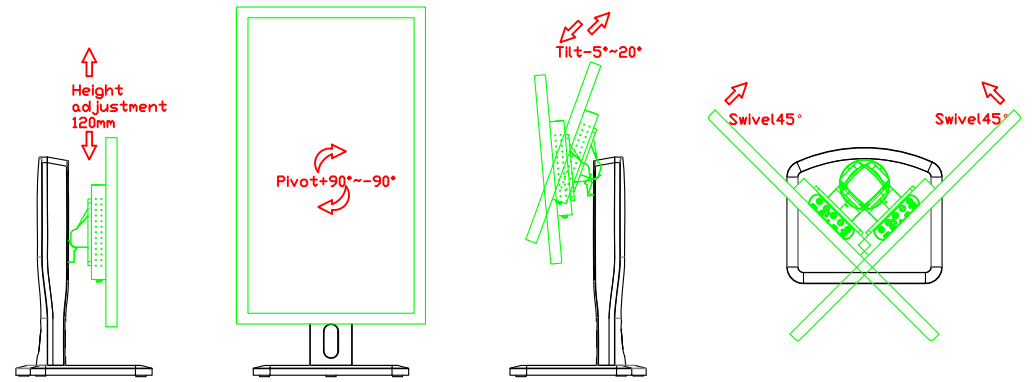
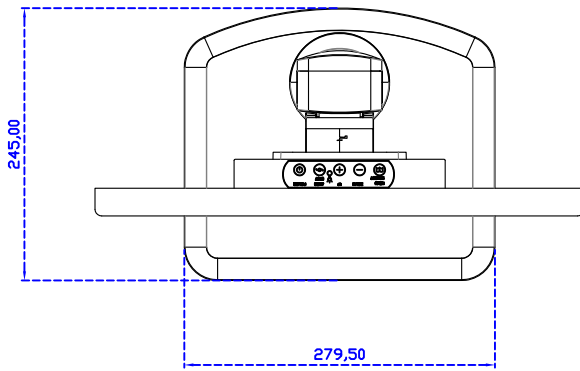
18.5" Desktop Touch Monitor.
(Photo Stand)

AIM-TMxxxx185-R01WP_R03WP



18.5" Desktop Touch Monitor.
(POS Stand)

AIM-TMxxx185-R01WV_R03WV



18.5" Desktop Touch Monitor.
(Ergonomic Stand)

AIM-TMxxxx185-R01WY_R03WY