

18.5" True Flat Projected capacitive Multi-Touch Monitor(1920*1080)

Products application :

- POS Terminal
- Industrial PC
- Kiosk
- Gaming
- Medical apparatus
- Personal computer
- Mobile GPS
- Office automation
- Security system of the house
- Car-mounted amusement
- Military equipment
- Communicate



AIM-TMPCT185-R17W

"OPS system for Intel standard"



AIM-TMOPPCT185-R17W

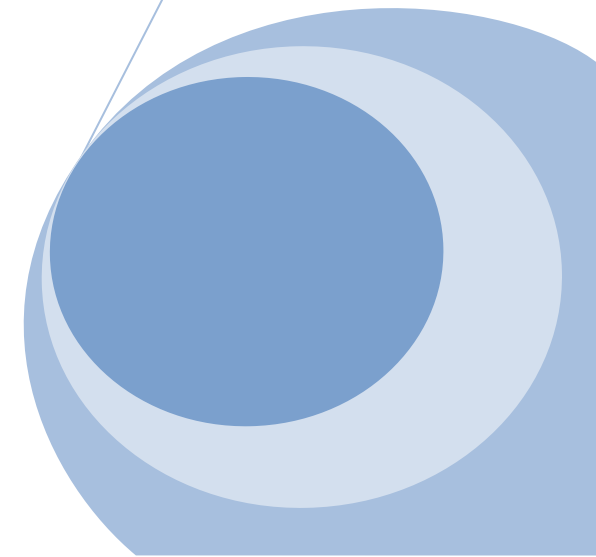
Order information :

Touch interface :

Mount type :

AIM-TMPCT185-R15W	USB (Multi-Touch*10)	VESA (Without Stand)
AIM-TMOPPCT185-R15W	USB (Multi-Touch*10)	Embedded (Open Frame)

AIM-TMPCT185-R15W V	USB (Multi-Touch*10)	POS Stand (1.1kg)
AIM-TMPCT185-R15W Y	USB (Multi-Touch*10)	Ergonomic Stand (3kg)



18.5" True Flat Projected capacitive Multi-Touch Monitor(1920*1080)

Display Specifications :

Active Area	409 × 230 mm
Pixel Pitch	0.213 × 0.213 mm
Brightness	350 cd/m ²
Contrast Ratio	1000 : 1
Resolution	1920 x 1080 (Full HD)
Viewing Angle	L/R178° ; U/D178°
Response Time	20ms (Tr + Tf)
Display Colors	16.7M
Display Modes	640×480 ; 800×600 ; 1024×768 ; 1280×720 ; 1280×800 ; 1280×1024 ; 1360×768 ; 1440×900 ; 1680×1050 ; 1920×1080
Signal input	VGA ; Audio ; DVI ; HDMI ; AV ; OPS
Speaker	1W (8Ω) × 2
OSD Keyboard	⊙Power ⊙Auto adjust ⊕ ⊖ ⊙Menu
Power Source	DC 12V (DC Jack Φ2.1mm)
Power Consumption	≤22w
Storage 、 Operation	-20~70°C ; -20~70°C
VESA	100×100 ; 200×100 mm
Casing Colors	Black (OEM other colors)
Casing Size 、 Weight	447.2 × 267.8 × 70 mm ; 4.6 kg (W×H×D) (Without Stand)
Carton 、 gross weight	550 × 400 × 180 mm ; 6.2 kg (W×H×D)
Accessory	VGA cable / HDMI cable / Audio cable / AC90~260V Adapter / Power cable / USB cable / Cleaning wipes / Driver Disk ※DVI cable (Optional)

※AiM Touch has the right to update specs without further notice.

"OPS system for Intel standard"



18.5" True Flat Projected capacitive Multi-Touch Monitor(1920*1080)



Touch Feature :

Input Method	Capacitive stylus, Finger
Linearity	≤2.5mm
Surface	≥7H
Life Time	Unlimited
Application	Writing and Signature Capture Capability

Software Feature :

Draw Test	Position and linearity verification
Controller	Support multiple controller
Languages	English · Simple Chinese · Traditional Chinese · Japanese · French · German · Spanish · Korean · Arabic · Czech · Danish · Dutch · Greek · Hungarian · Italian · Norwegian · Russian · Polish · Portuguese · Slovenian · Swedish · Thai · Turkish
Mouse Emulator	Right / left button emulation. Auto Right / left Click (PDA function)
Touch Style	Drawing a Mode · button a Mode · Touch Off/ on Switch
Double Click	Configurable double click speed · Configurable double click area
Sound Modes	No sound · Touch down · Touch up
Display Support	display rotation · Support multiple monitors
Division Pattern	Support two halves and four parts with touch function, you can also create your own division patterns.
Settings:	
Edge compensation	Support edge compensation and you can also add your own numbers for it.
Support O.S	All Windows-32/64bit O.S Android ; Linux ; MAC

"OPS system for Intel standard"



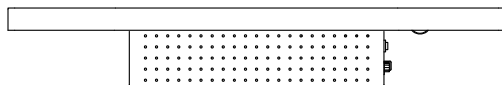
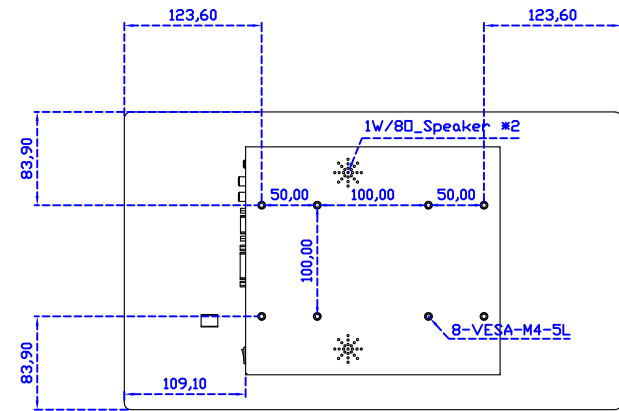
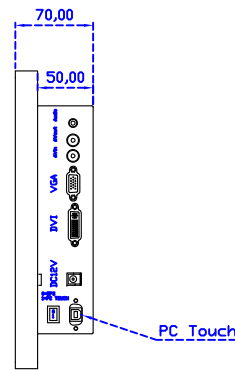
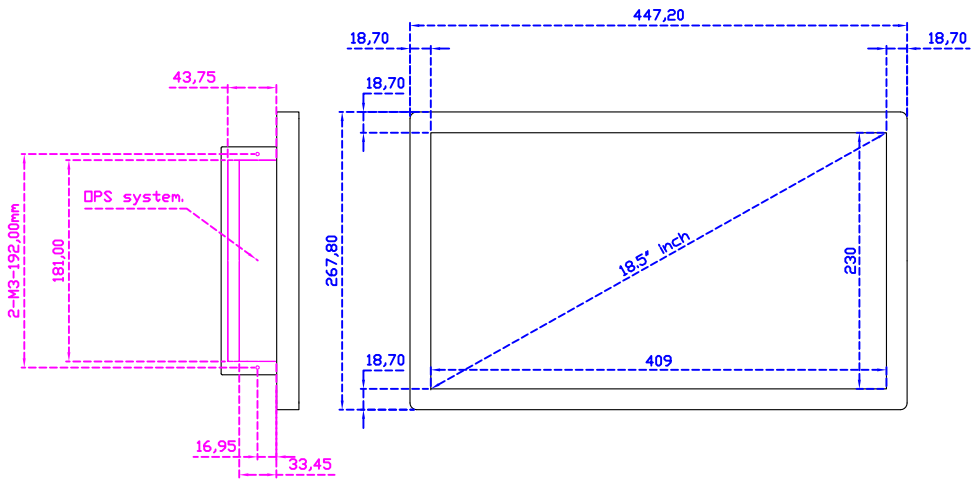
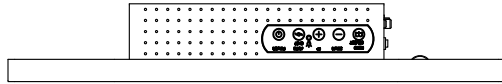
AIM-TMPCT185-R17W V



AIM-TMPCT185-R17W Y

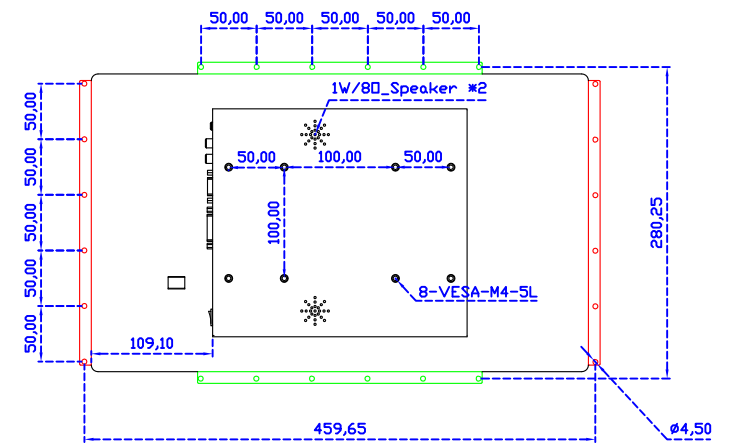
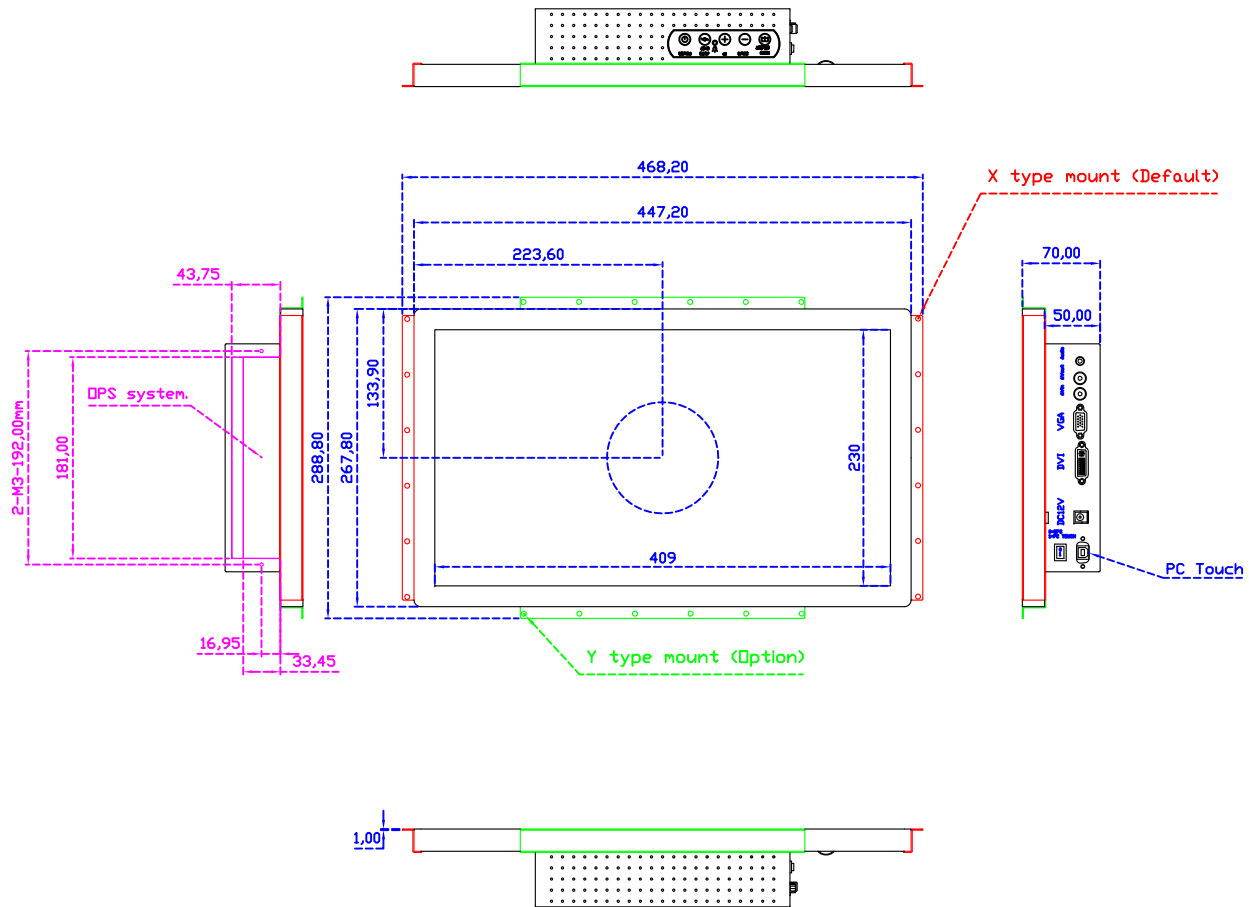


3 Year Warranty
LCD Panel 1 Year



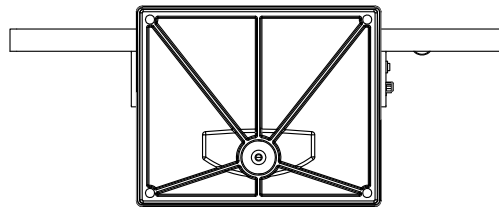
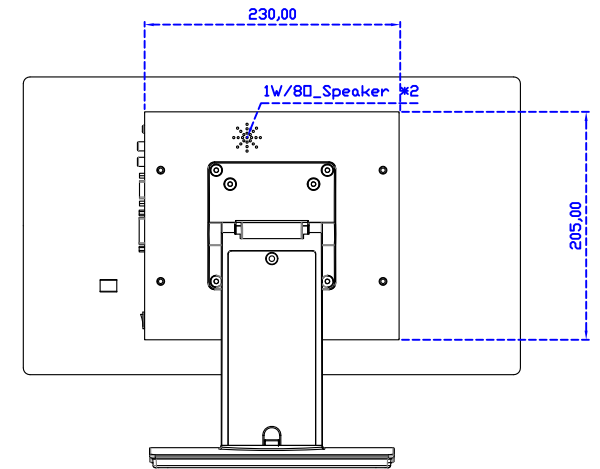
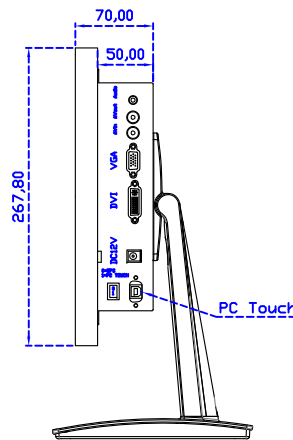
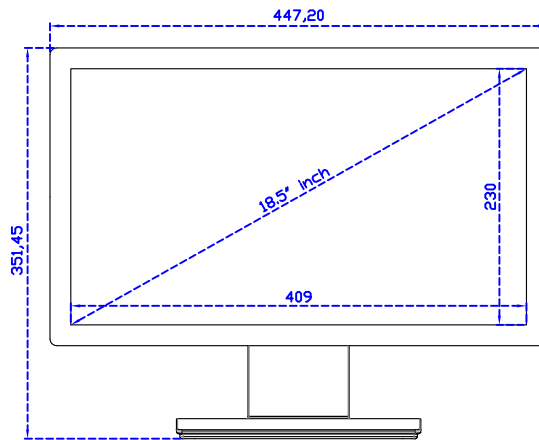
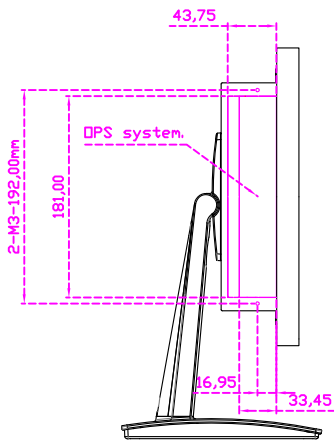
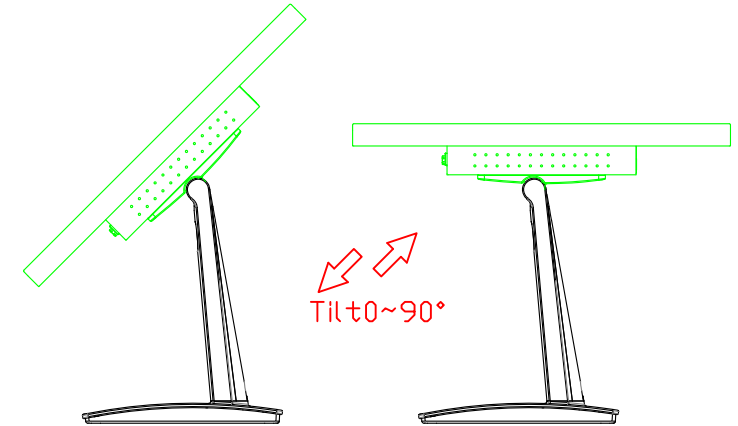
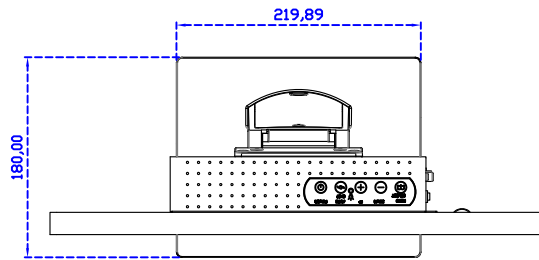
18.5" Touch Monitor.
<Support DPS system>
<VESA Mount>

AIM-TMPCT185-R15W_R17W



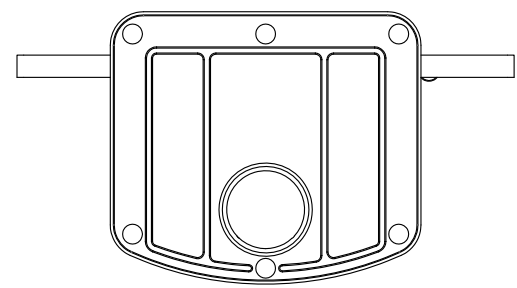
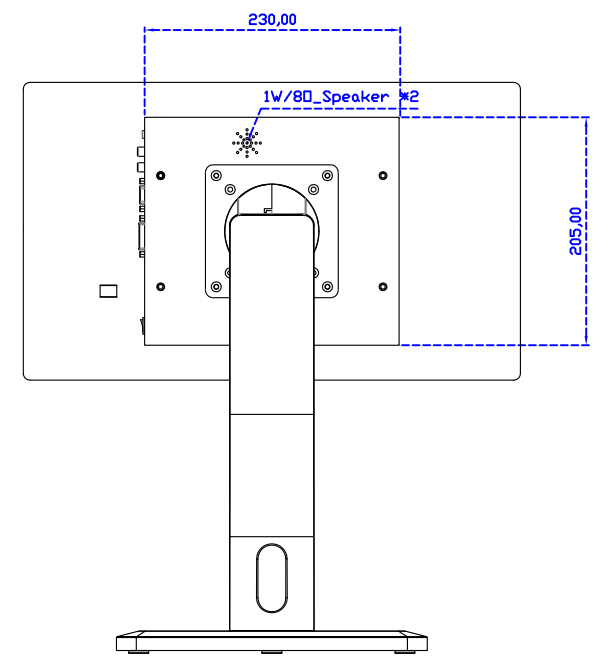
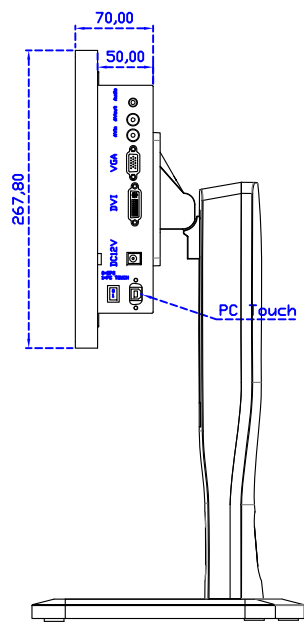
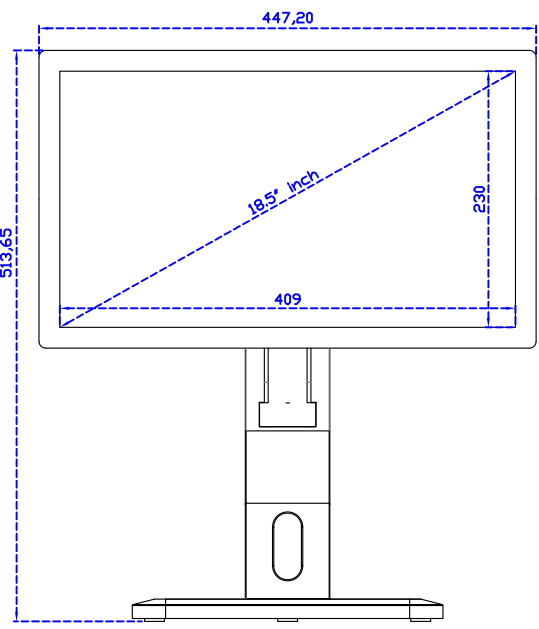
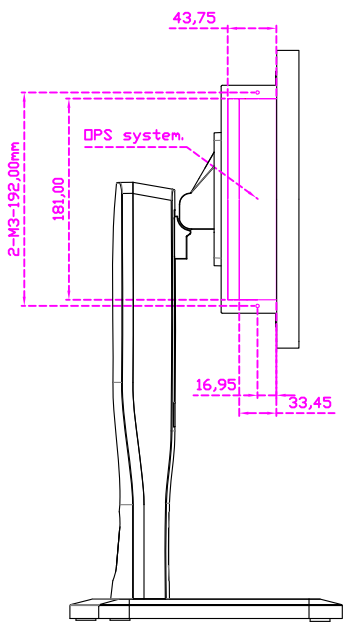
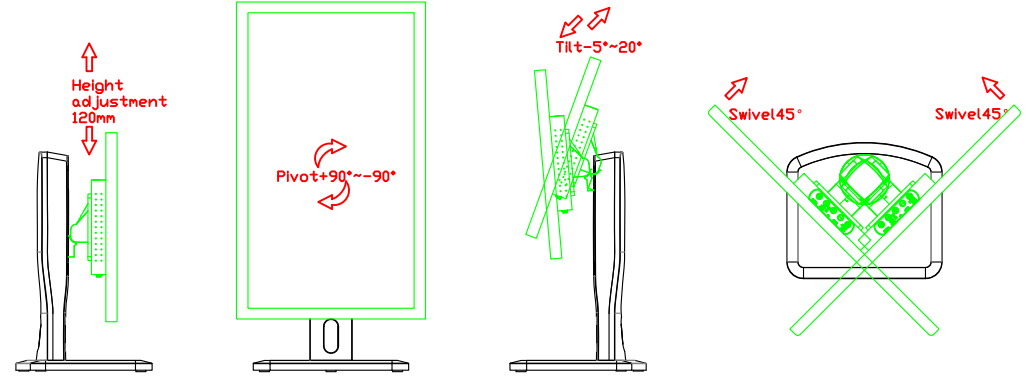
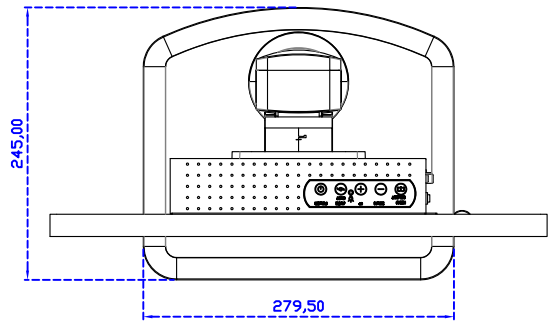
18.5" Embedded Touch Monitor.
 (Support DPS system)
 (Open Frame)

AIM-TM0PPCT185-R15W_R17W



18.5" Desktop Touch Monitor.
(Support DPS system)
(PDS Stand)

AIM-TMPCT185-R15WV_R17WV



18.5" Desktop Touch Monitor.
 (Support DPS system)
 (Ergonomic Stand)

AIM-TMPCT185-R15WY_R17WY