

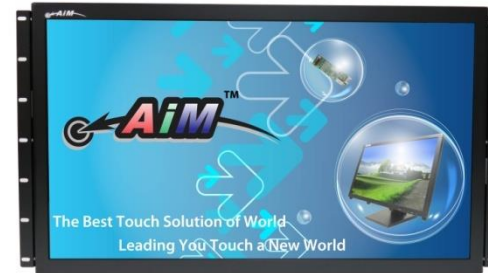
## 18.5" Resistive Single Touch Monitor ( 1920\*1080 )

### Products application :

- POS Terminal
- Industrial PC
- Kiosk
- Gaming
- Medical apparatus
- Personal computer
- Mobile GPS
- Office automation
- Security system of the house
- Car-mounted amusement
- Military equipment
- Communicate



AIM-TM5R185-R09W



AIM-TMOP5R185-R09W

### Order information :

### Touch interface :

### Mount type :

|                    |       |                          |
|--------------------|-------|--------------------------|
| AIM-TM5R185-R09W   | USB   | VESA ( Without Stand )   |
| AIM-TM5R185-R10W   | RS232 |                          |
| AIM-TMOP5R185-R09W | USB   | Embedded ( Open Frame )  |
| AIM-TMOP5R185-R10W | RS232 |                          |
| AIM-TM5R185-R09W A | USB   | Foldable Stand ( 1.4kg ) |
| AIM-TM5R185-R10W A | RS232 |                          |
| AIM-TM5R185-R09W P | USB   | Photo Stand ( 1kg )      |
| AIM-TM5R185-R10W P | RS232 |                          |
| AIM-TM5R185-R09W V | USB   | POS Stand ( 1.1kg )      |
| AIM-TM5R185-R10W V | RS232 |                          |
| AIM-TM5R185-R09W Y | USB   | Ergonomic Stand ( 3kg )  |
| AIM-TM5R185-R10W Y | RS232 |                          |



## 18.5" Resistive Single Touch Monitor ( 1920\*1080 )

### Display Specifications :

|                       |   |
|-----------------------|---|
| Active Area           | 409 × 230 mm  |
| Pixel Pitch           | 0.213 × 0.213 mm  |
| Brightness            | 350 cd/m <sup>2</sup>   |
| Contrast Ratio        | 1000 : 1  |
| Resolution            | 1920 x 1080 ( Full HD )   |
| Viewing Angle         | L/R178° ; U/D178°   |
| Response Time         | 20ms ( Tr + Tf )  |
| Display Colors        | 16.7M   |
| Display Modes         | 640×480 ; 800×600 ; 1024×768 ; 1280×720 ; 1280×800 ; 1280×1024 ;<br>1360×768 ; 1440×900 ; 1680×1050 ; 1920×1080   |
| Signal input          | VGA ; Audio ; Display Port ; HDMI   |
| Speaker               | 1W ( 8Ω ) × 2   |
| OSD Keyboard          | ⊙Power ⊙Auto adjust ⊕ ⊖ ⊙Menu   |
| Power Source          | DC 12V ( DC Jack Φ2.1mm )   |
| Power Consumption     | ≤22w  |
| Storage 、 Operation   | -20~70°C ; -20~70°C   |
| VESA                  | 75×75 ; 100×100 mm  |
| Casing Colors         | Black ( OEM other colors )  |
| Casing Size 、 Weight  | 440 × 265 × 51 mm ; 4.2 kg ( W×H×D ) ( Without Stand )  |
| Carton 、 gross weight | 550 × 400 × 180 mm ; 5.8 kg ( W×H×D )   |
| Accessory             | VGA cable / HDMI cable / Audio cable / AC90~260V Adapter / Power cable<br>/ USB or RS232 cable / Touch pen / Cleaning wipes / Driver Disk<br>※DP cable ( Optional ) |

※AiM Touch has the right to update specs without further notice



AIM-TM5R185-R09W A



AIM-TM5R185-R09W P



## 18.5" Resistive Single Touch Monitor ( 1920\*1080 )

### Touch Feature :

|                  |   |
|------------------|---|
| Input Method     | Finger, gloved hand, or stylus activation |
| Activation Force | ≤50g                                      |
| Linearity        | ≤1.5%                                     |
| Surface          | ≥3H                                       |
| Life Time        | ≥35,000,000                               |
| Application      | Writing and Signature Capture Capability  |



AIM-TM5R185-R09W V

### Software Feature :

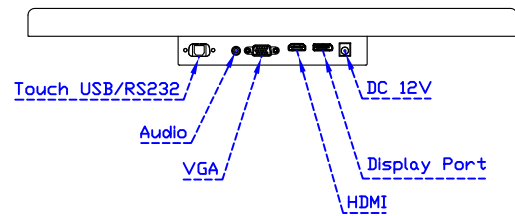
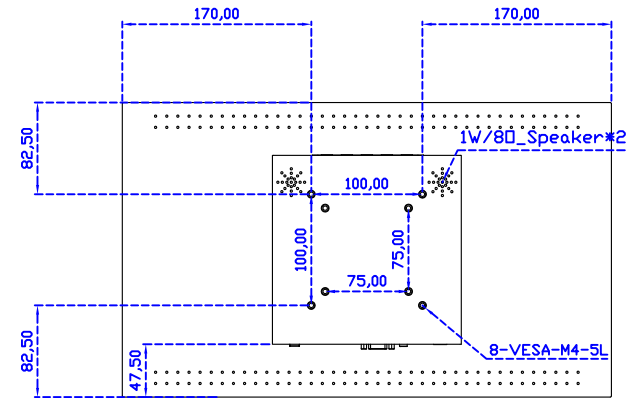
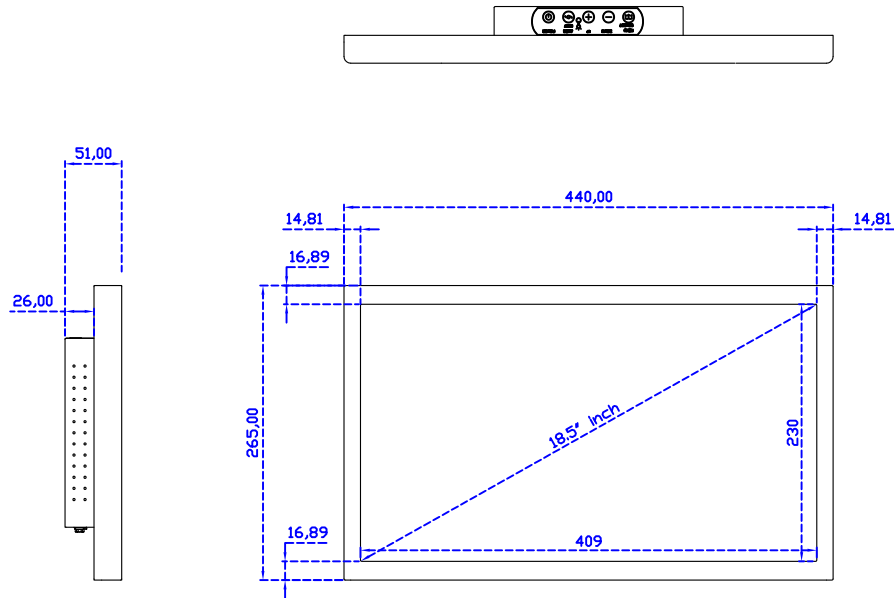
|                  |   |
|------------------|---|
| Calibration      | Fast full oriental 4 points position  |
| Compensation     | Edge compensation. Accuracy 25 points linearity compensation  |
| Draw Test        | Position and linearity verification   |
| Controller       | Support multiple controllers  |
| Languages        | English · Simple Chinese · Traditional Chinese · Japanese · French · German · Spanish · Korean · Arabic · Czech · Danish · Dutch · Greek · Hungarian · Italian · Norwegian · Russian · Polish · Portuguese · Slovenian · Swedish · Thai · Turkish |
| Mouse Emulator   | Right / left button emulation. Auto Right / left Click ( PDA function )   |
| Touch Style      | Drawing a Mode · button a Mode · Touch Off/ on Switch   |
| Double Click     | Configurable double click speed · Configurable double click area  |
| Sound Modes      | No sound · Touch down · Touch up  |
| COM Port Support | COM1 ~ COM255 for Windows and Linux<br>COM1 ~ COM8 for MS- DOS  |
| Display Support  | display rotation · Support multiple monitors  |
| Support O.S      | All Windows-32/64bit O.S<br>Android ; Linux ; MAC   |



AIM-TM5R185-R09W Y

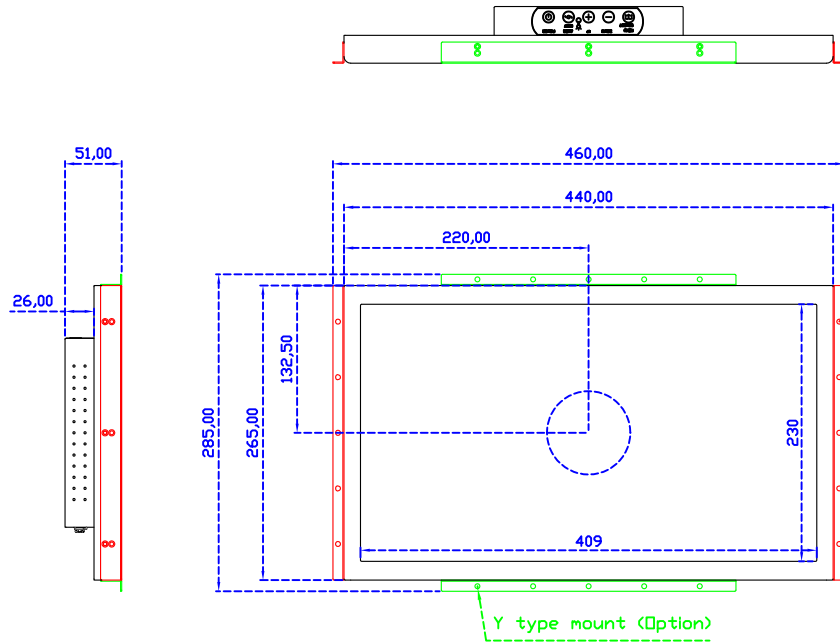


**3 Year Warranty**  
LCD Panel 1 Year

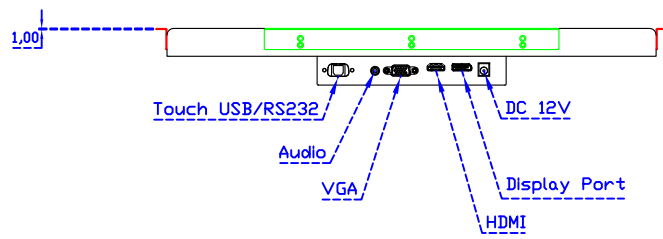
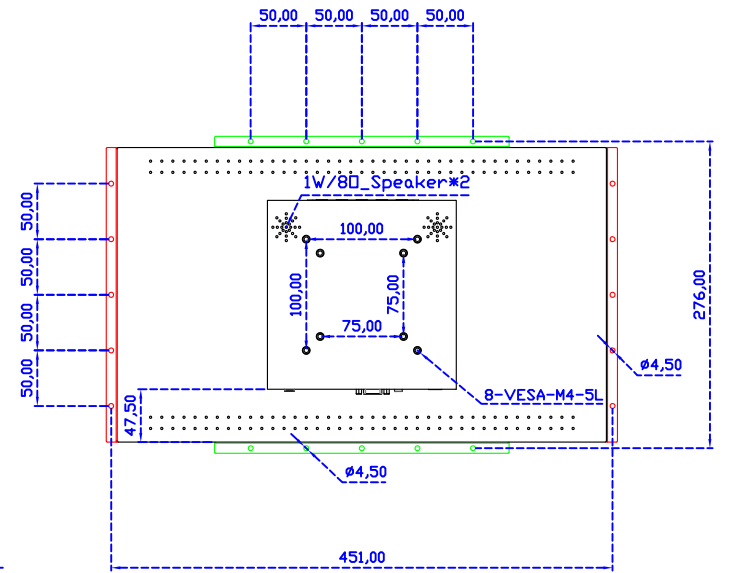
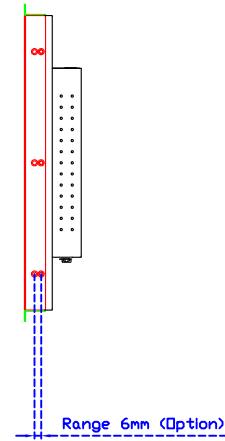


18.5" Touch Monitor.  
 (VESA Mount)

AIM-TMxxx185-R07W\_R09W

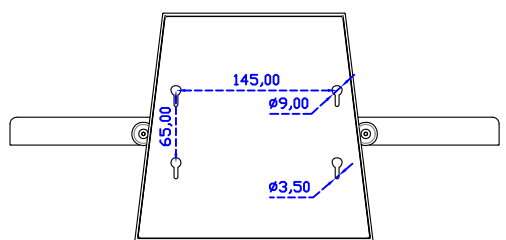
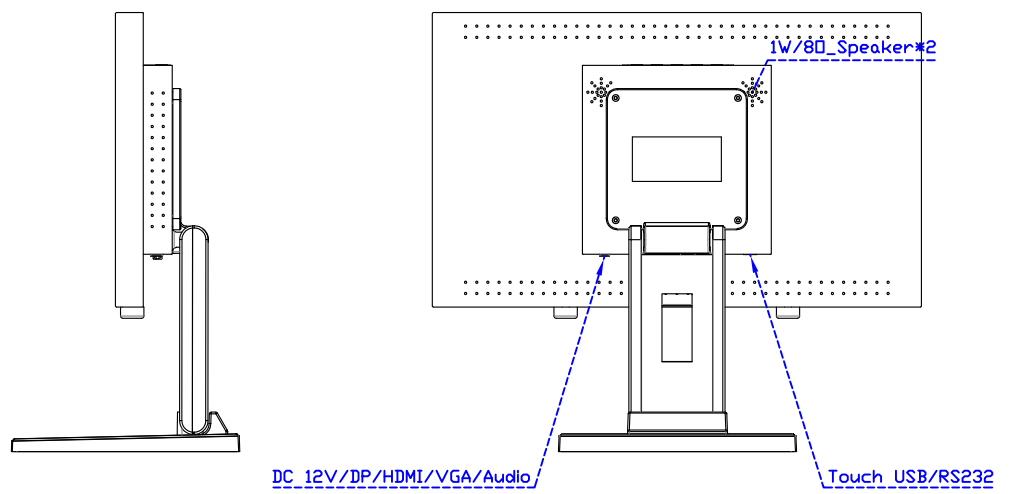
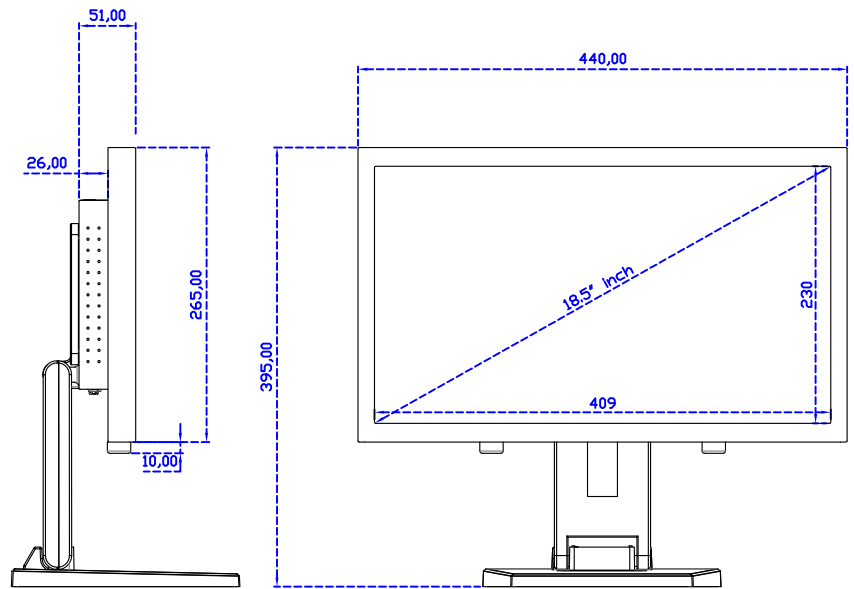
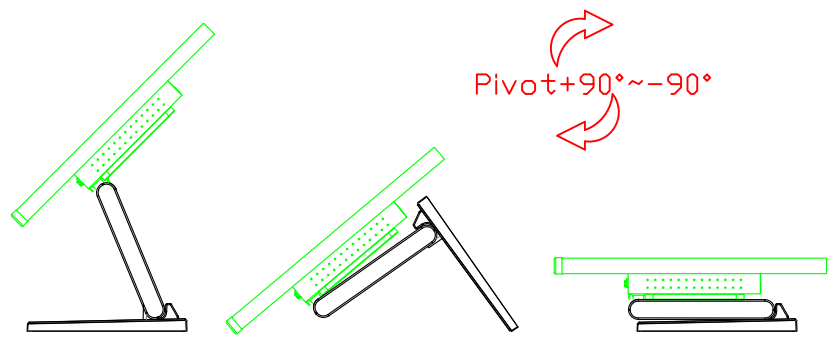
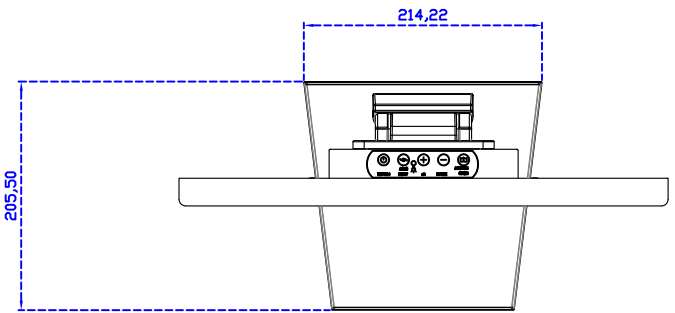


X type mount (Default)



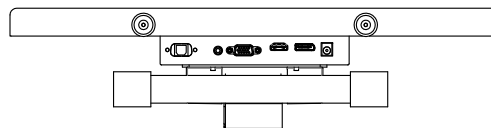
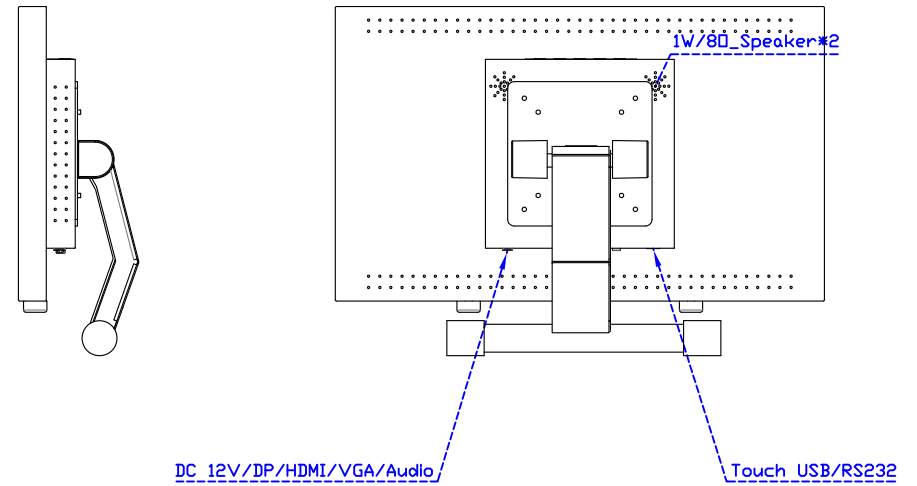
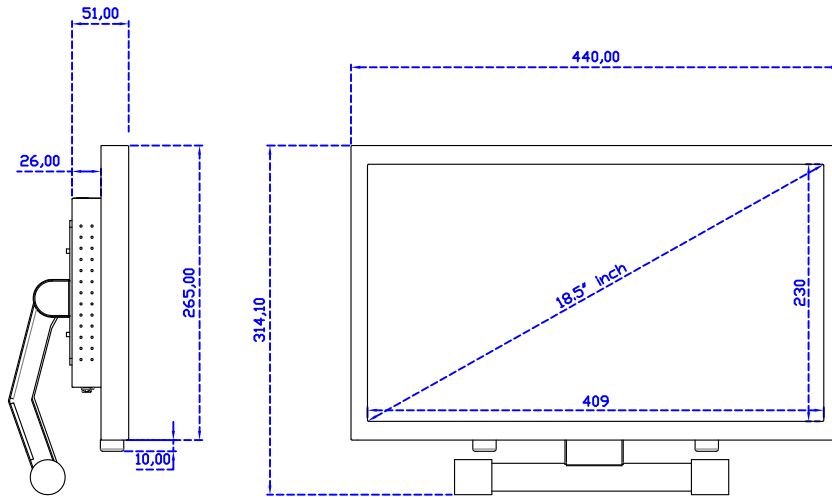
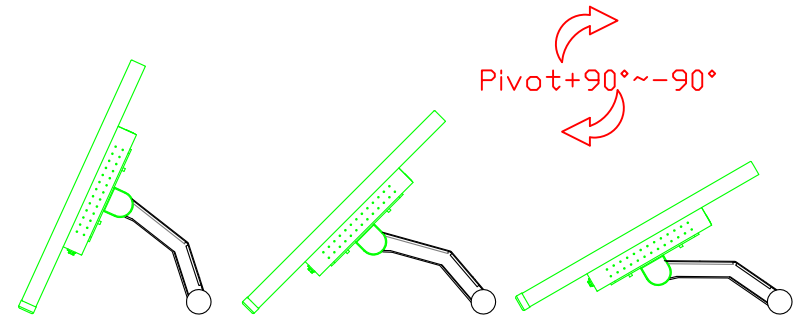
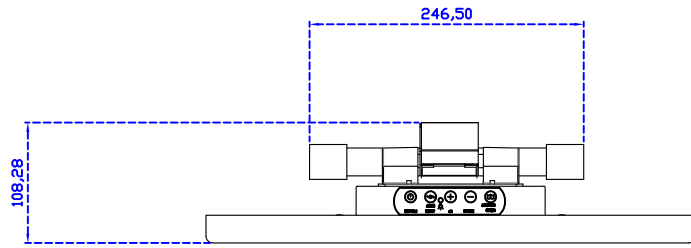
18.5" Embedded Touch Monitor.  
(Open Frame)

AIM-TMOPxxxx185-R07W\_R09W



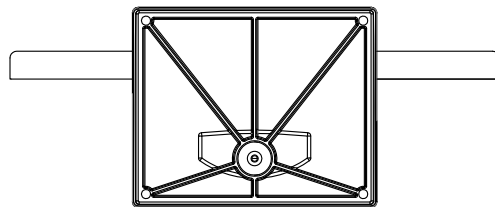
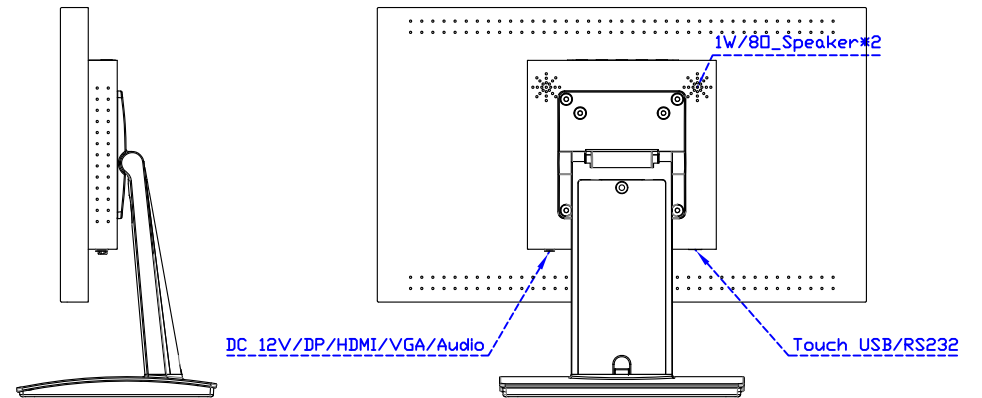
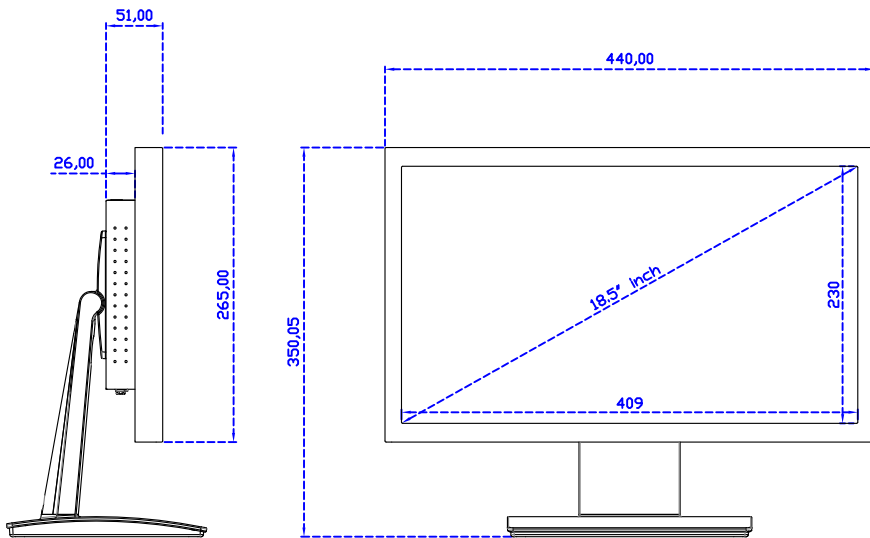
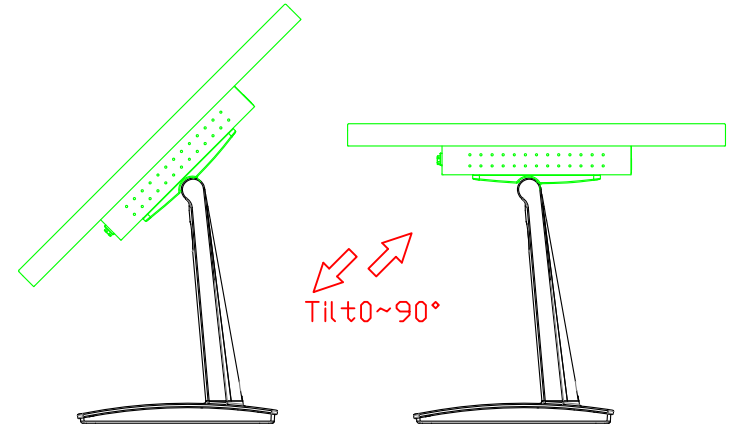
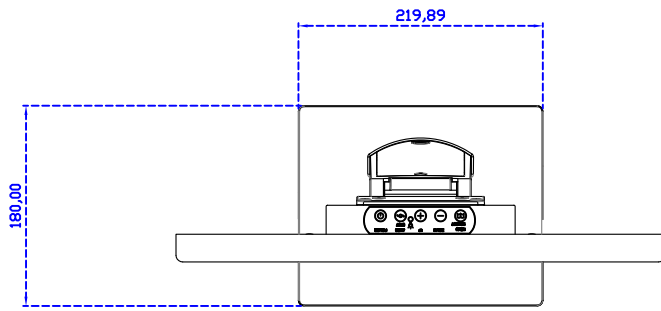
18.5" Desktop Touch Monitor.  
(Foldable Stand)

AIM-TMxxxx185-R07WA\_R09WA



18.5" Desktop Touch Monitor.  
(Photo Stand)

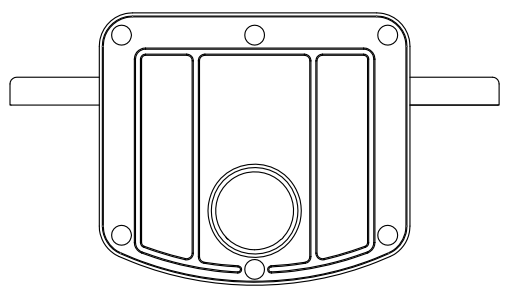
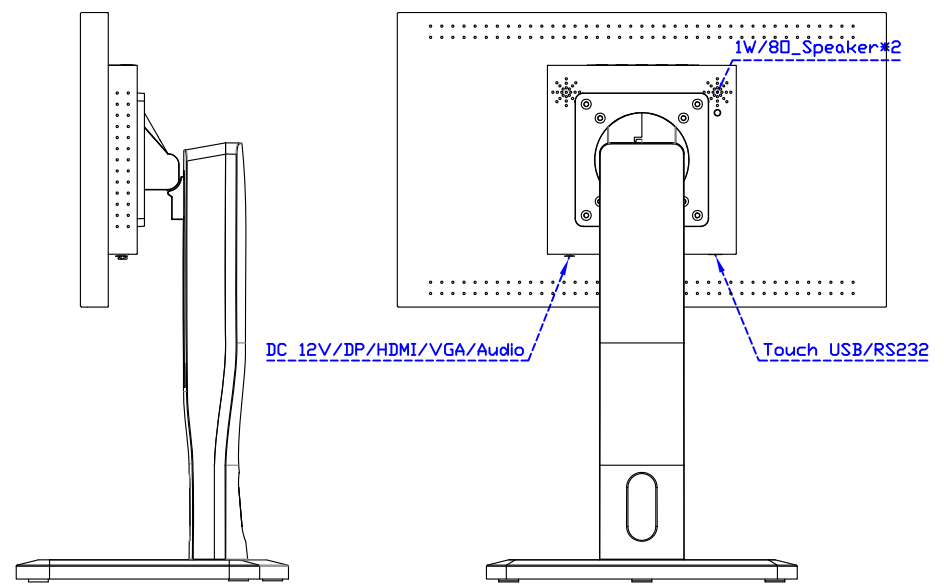
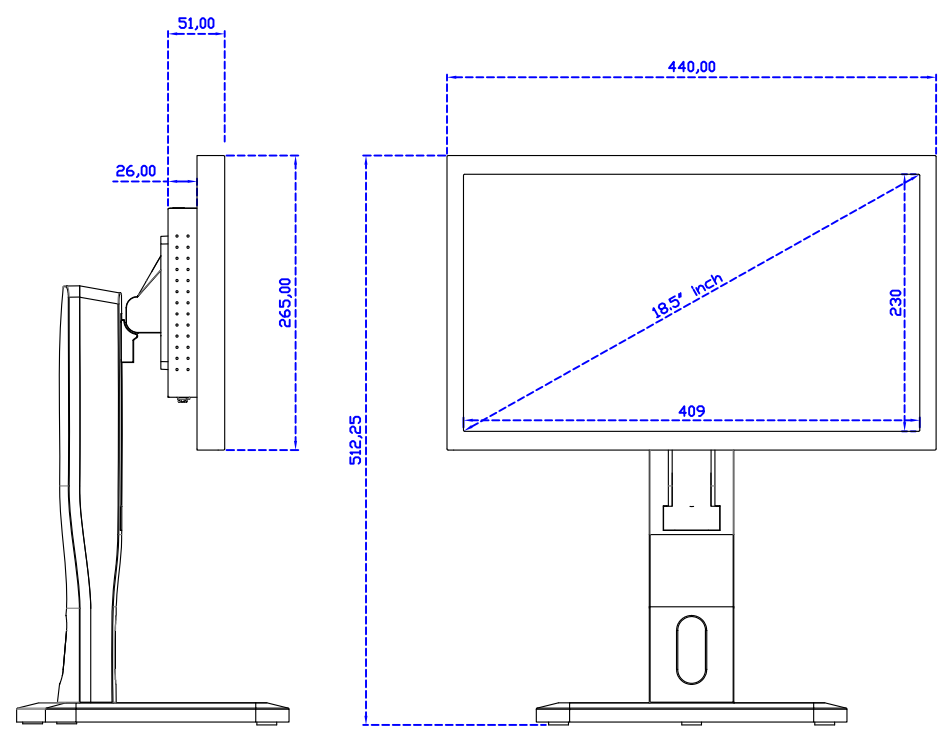
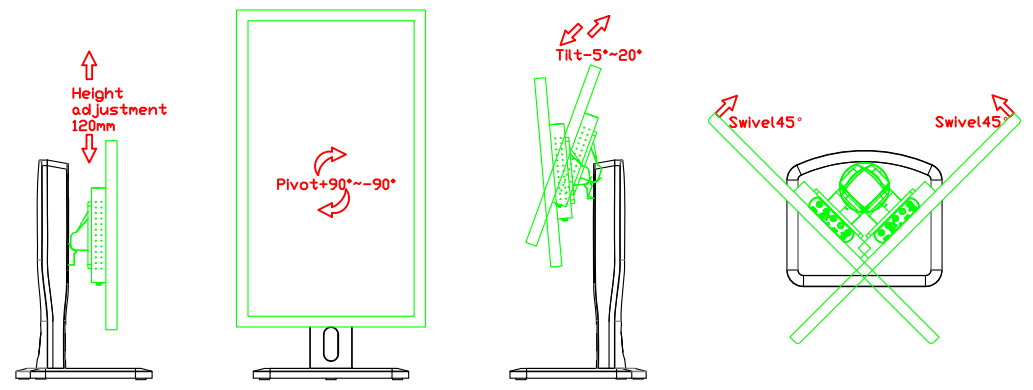
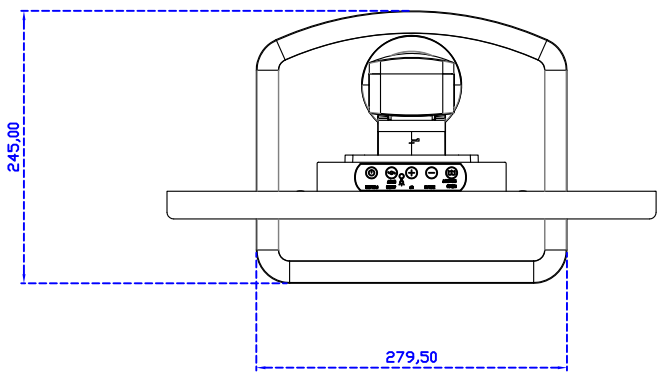
AIM-TMxxxx185-R07WP\_R09WP



18.5" Desktop Touch Monitor.  
(PQS Stand)

AIM-TMxxxx185-R07wV\_R09wV





18.5" Desktop Touch Monitor.  
(Ergonomic Stand)

AIM-TMxxxx185-R07WY\_R09WY