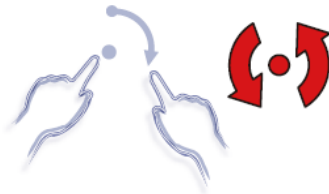
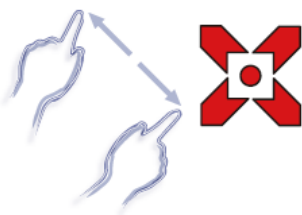
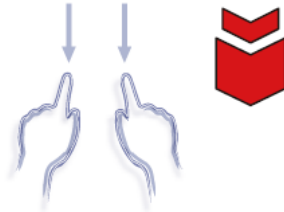


17" inch Embedded Touch Monitor (Projected capacitive Multi-Touch)

Products application :

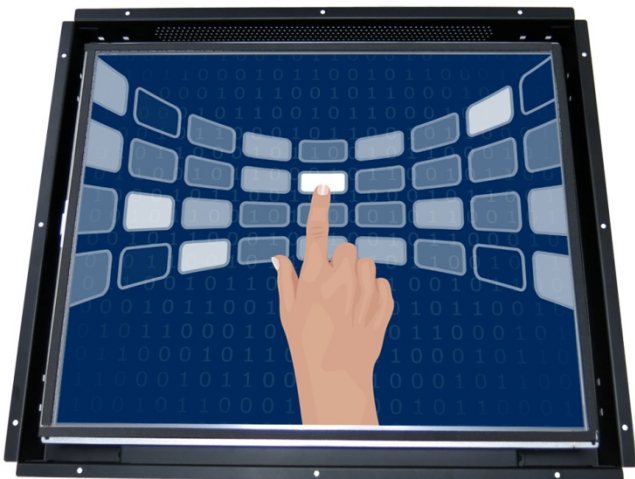
- POS Terminal
- Industrial PC
- Kiosk
- Gaming
- Medical apparatus
- Personal computer
- Mobile GPS
- Office automation
- Security system of the house
- Car-mounted amusement
- Military equipment
- Communicate



17" inch Embedded Touch Monitor (Projected capacitive Multi-Touch)

Display Specifications :

| | |
|-----------------------|---|
| Active Area | 337 × 270 mm |
| Pixel Pitch | 0.264 × 0.264 mm |
| Brightness | 250 cd/m ² |
| Contrast Ratio | 1000 : 1 |
| Resolution | 1280 x 1024 (SXGA) |
| Viewing Angle | L/R 176° ; U/D 170° |
| Response Time | 5 ms (Tr + Tf) |
| Display Colors | 16.7M |
| Display Modes | 640×480 ; 800×600 ; 1024×768 ; 1280×1024 |
| Signal input | VGA ; Audio ; DVI |
| Mini-Audio out | 1W (8Ω) × 2 |
| OSD Keyboard | ⊙ Menu/Select ⊙ - ⊙ + ⊙ Auto/Exit ⊙ Power |
| Power Source | DC 12V ; ≤15w ; Standby ≤1w |
| Power Consumption | |
| Storage · Operation | -20~60°C ; 0~50°C |
| VESA | 75×75 or 100×100 mm |
| Casing Colors | Black |
| Casing Size · Weight | 400 × 344.7 × 37.5 mm ; 4 kg (W×H×D) |
| Carton · gross weight | 470 × 125 × 410 mm ; 4.85 kg (W×H×D) |



Touch Feature :

| | |
|--------------|--|
| Input Method | Capacitive stylus, Finger |
| Linearity | ≤2.5mm |
| Surface | ≥7H |
| Life Time | Unlimited |
| Application | Writing and Signature Capture Capability |
| PC Link | USB or RS232(Single-Touch) |

Software Feature :

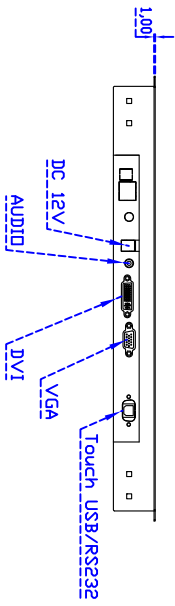
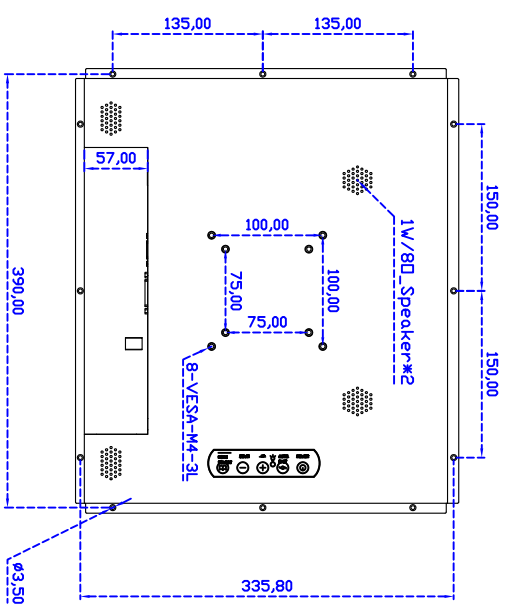
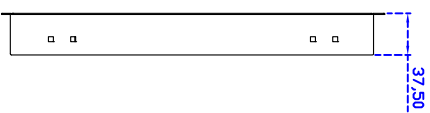
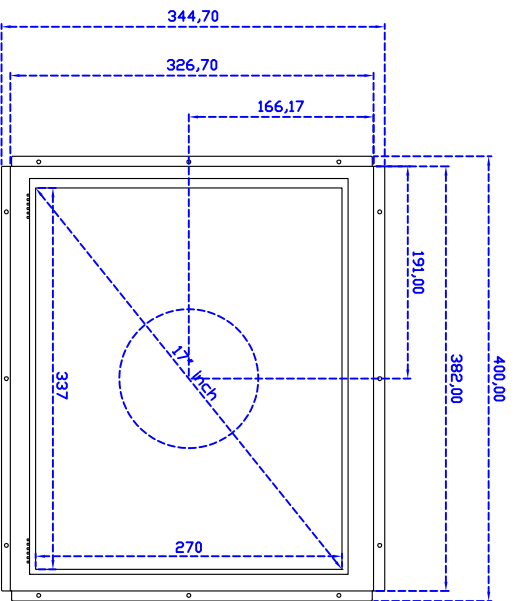
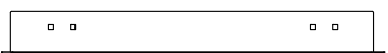
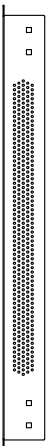
| | |
|----------------------------|---|
| Draw Test Controller | Position and linearity verification Support multiple controllers |
| Languages | English · Simple Chinese · Traditional Chinese · Japanese · French · German · Spanish · Korean · Arabic · Czech · Danish · Dutch · Greek · Hungarian · Italian · Norwegian · Russian · Polish · Portuguese · Slovenian · Swedish · Thai · Turkish |
| Mouse Emulator | Right / left button emulation. Auto Right / left Click (PDA function) |
| Touch Style | Drawing a Mode · button a Mode · Touch Off/ on Switch |
| Double Click | Configurable double click speed · Configurable double click area |
| Sound Modes | No sound · Touch down · Touch up |
| Display Support | display rotation · Support multiple monitors |
| Division Pattern Settings: | Support two halves and four parts with touch function, you can also create your own division patterns. |
| Edge compensation | Support edge compensation and you can also add your own numbers for it. |
| Support O.S | All Windows-32 bit O.S Windows7-8-10 ; XP-64 bit O.S Android ; AII Linux ; MAC |



Order information :

| | | | |
|-----------------------|---|-----------------------|-----------------------------|
| AIM-TMOPPCTU170-R21 : | 【VGA/AUDIO/DVI/USB-TOUCH】 | AIM-TMOPPCTU170-R22 : | 【VGA/AUDIO/DVI/RS232-TOUCH】 |
| Accessory | VGA Cable / AC90~260V Adapter / Power Cable / Audio Cable / USB or RS232 Cable / Cleaning wipes / Driver Disk | | |
| | ※DVI Cable(Optional) | | |





17" Embedded Touch Monitor.

AIM-TMOPxxxxx170-R21