

17" inch Embedded Touch Monitor

Products application :

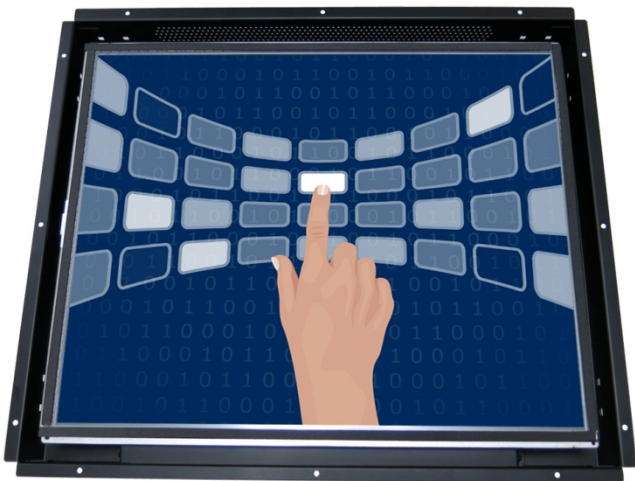
- POS Terminal
- Industrial PC
- Kiosk
- Gaming
- Medical apparatus
- Personal computer
- Mobile GPS
- Office automation
- Security system of the house
- Car-mounted amusement
- Military equipment
- Communicate



17" inch Embedded Touch Monitor

Display Specifications :

Active Area	337 × 270 mm
Pixel Pitch	0.264 × 0.264 mm
Brightness	250 cd/m ²
Contrast Ratio	1000 : 1
Resolution	1280 × 1024 (SXGA)
Viewing Angle	L/R 176° ; U/D 170°
Response Time	5 ms (Tr + Tf)
Display Colors	16.7M
Display Modes	640×480 ; 800×600 ; 1024×768 ; 1280×1024
Signal input	VGA ; Audio ; DVI
Mini-Audio out	1W (8Ω) × 2
OSD Keyboard	⊙ Menu/Select ⊙ - ⊙ + ⊙ Auto/Exit ⊙ Power
Power Source	DC 12V ; ≤15w ; Standby ≤1w
Power Consumption	
Storage	-20~60°C ; 0~50°C
Operation	
VESA	75×75 or 100×100 mm
Casing Colors	Black
Casing Size	400 × 344.7 × 37.5 mm ; 4 kg (W×H×D)
Weight	
Carton	470 × 125 × 410 mm ; 4.85 kg (W×H×D)
gross weight	



Touch Feature :

Input Method	Finger, gloved hand, or stylus activation
Activation Force	≥ 50g
Linearity	≤ 1.5%
Surface	≥ 3H
Life Time	≤ 35,000,000
Application	Writing and Signature Capture Capability
PC Link	USB or RS232

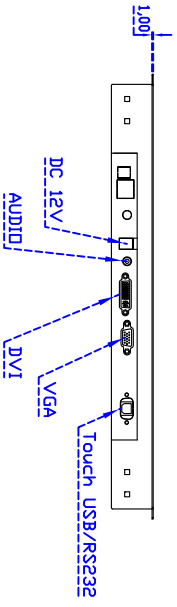
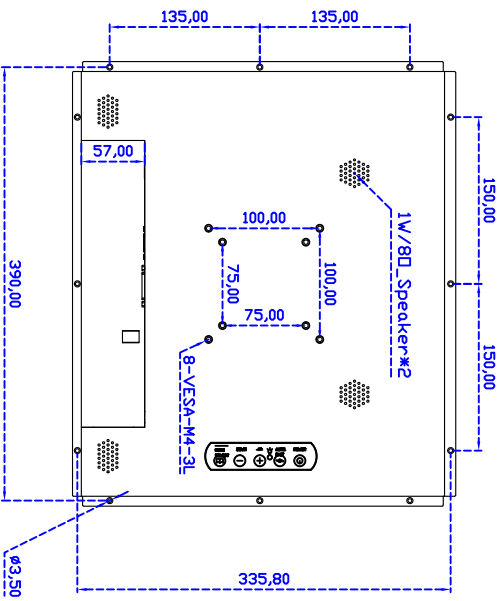
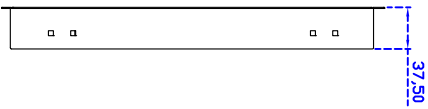
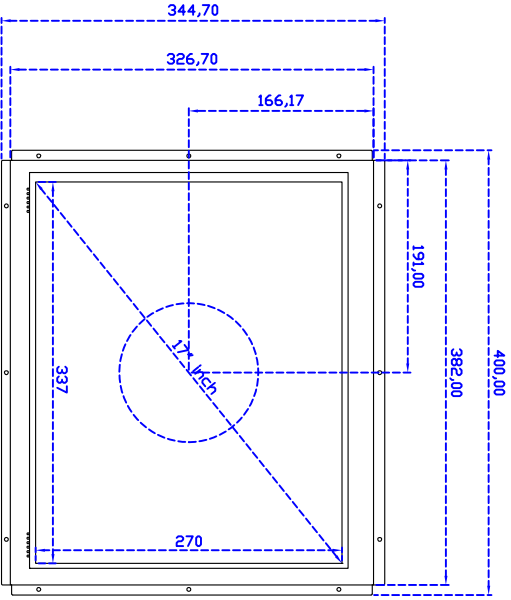
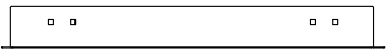
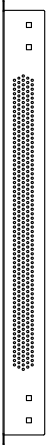
Software Feature :

Calibration	Fast full oriental 4 points position
Compensation	Edge compensation. Accuracy 25 points linearity compensation
Draw Test	Position and linearity verification
Controller	Support multiple controllers
Languages	English · Simple Chinese · Traditional Chinese · Japanese · French · German · Spanish · Korean · Arabic · Czech · Danish · Dutch · Greek · Hungarian · Italian · Norwegian · Russian · Polish · Portuguese · Slovenian · Swedish · Thai · Turkish
Mouse Emulator	Right / left button emulation. Auto Right / left Click (PDA function)
Touch Style	Drawing a Mode · button a Mode · Touch Off/ on Switch
Double Click	Configurable double click speed · Configurable double click area
Sound Modes	No sound · Touch down · Touch up
COM Port Support	COM1 ~ COM255 for Windows and Linux COM1 ~ COM8 for MS- DOS
Display Support	display rotation · Support multiple monitors
Support O.S	All Windows-32 bit O.S Windows7-8-10 ; XP-64 bit O.S MS-DOS ; A ll Linux ; MAC

Order information :

AIM-TMOP5R170-R21 :	【VGA/AUDIO/DVI/USB-TOUCH】	AIM-TMOP5R170-R22 :	【VGA/AUDIO/DVI/RS232-TOUCH】
Accessory	VGA Cable / AC90~260V Adapter / Power Cable / Audio Cable / USB or RS232 Cable / Touch Pen / Cleaning wipes / Driver Disk		※DVI Cable(Optional)





17" Embedded Touch Monitor.

AIM-TMOPxxxxx170-R21