

15.6" True Flat Projected capacitive Multi-Touch Monitor

Products application :

- POS Terminal
- Industrial PC
- Kiosk
- Gaming
- Medical apparatus
- Personal computer
- Mobile GPS
- Office automation
- Security system of the house
- Car-mounted amusement
- Military equipment
- Communicate



AIM-TMPCT156-R15W

"OPS system for Intel standard"



AIM-TMOPPCT156-R15W

Order information :

Touch interface :

Mount type :

AIM-TMPCT156-R15W

USB (Multi-Touch*10)

VESA (Without Stand)

AIM-TMOPPCT156-R15W

USB (Multi-Touch*10)

Embedded (Open Frame)

AIM-TMPCT156-R15W V

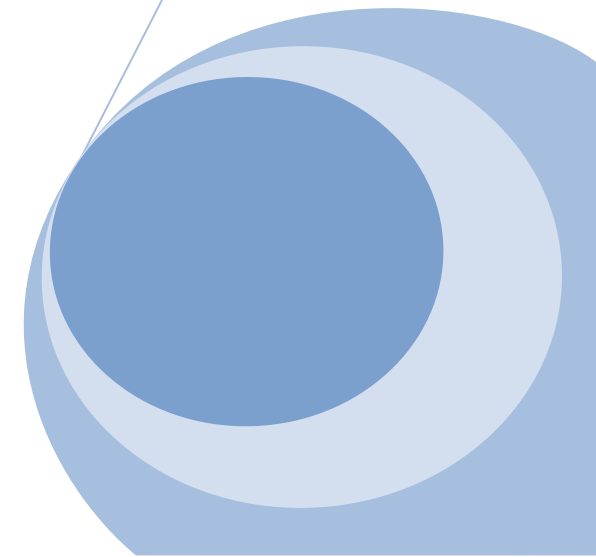
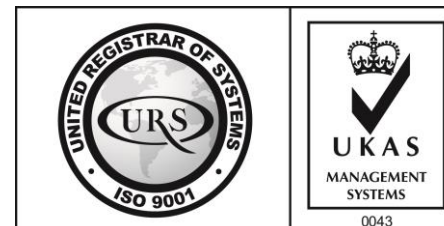
USB (Multi-Touch*10)

POS Stand (1.1kg)

AIM-TMPCT156-R15W Y

USB (Multi-Touch*10)

Ergonomic Stand (3kg)



15.6" True Flat Projected capacitive Multi-Touch Monitor

Display Specifications :

Active Area	344 × 193 mm
Pixel Pitch	0.17925 × 0.17925 mm
Brightness	450 cd/m ²
Contrast Ratio	800 : 1
Resolution	1920 x 1080 (Full HD)
Viewing Angle	L/R170° ; U/D170°
Response Time	25ms (Tr + Tf)
Display Colors	16.2M
Display Modes	640×480 ; 800×600 ; 1024×768 ; 1280×720 ; 1280×800 ; 1280×1024 ; 1360×768 ; 1440×900 ; 1680×1050 ; 1920×1080
Signal input	VGA ; Audio ; DVI ; HDMI ; AV ; OPS
Speaker	1W (8Ω) × 2
OSD Keyboard	⊙Power ⊙Auto adjust ⊕+ ⊖- ⊙Menu
Power Source	DC 12V (DC Jack Φ2.1mm)
Power Consumption	≤21w
Storage 、 Operation	-40~90°C ; -30~85°C
VESA	100×100 ; 200×100 mm
Casing Colors	Black (OEM other colors)
Casing Size 、 Weight	389.2 × 239.5 × 70 mm ; 4.1 kg (W×H×D) (Without Stand)
Carton 、 gross weight	550 × 400 × 180 mm ; 5.7 kg (W×H×D)
Accessory	VGA cable / HDMI cable / Audio cable / AC90~260V Adapter / Power cable / USB cable / Cleaning wipes / Driver Disk ※DVI cable (Optional)

※AiM Touch has the right to update specs without further notice.



"OPS system for Intel standard"



15.6" True Flat Projected capacitive Multi-Touch Monitor

Touch Feature :

Input Method	Capacitive stylus, Finger
Linearity	≤2.5mm
Surface	≥7H
Life Time	Unlimited
Application	Writing and Signature Capture Capability

Software Feature :

Draw Test	Position and linearity verification
Controller	Support multiple controller
Languages	English · Simple Chinese · Traditional Chinese · Japanese · French · German · Spanish · Korean · Arabic · Czech · Danish · Dutch · Greek · Hungarian · Italian · Norwegian · Russian · Polish · Portuguese · Slovenian · Swedish · Thai · Turkish
Mouse Emulator	Right / left button emulation. Auto Right / left Click (PDA function)
Touch Style	Drawing a Mode · button a Mode · Touch Off/ on Switch
Double Click	Configurable double click speed · Configurable double click area
Sound Modes	No sound · Touch down · Touch up
Display Support	display rotation · Support multiple monitors
Division Pattern	Support two halves and four parts with touch function, you can also create your own division patterns.
Settings:	
Edge compensation	Support edge compensation and you can also add your own numbers for it.
Support O.S	All Windows-32/64bit O.S Android ; Linux ; MAC

"OPS system for Intel standard"



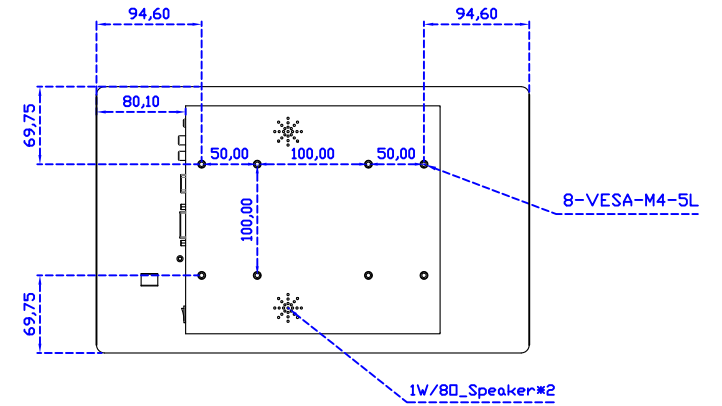
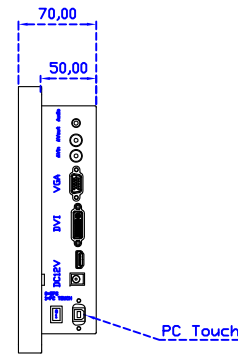
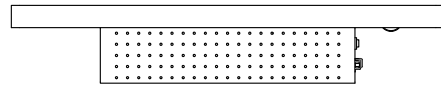
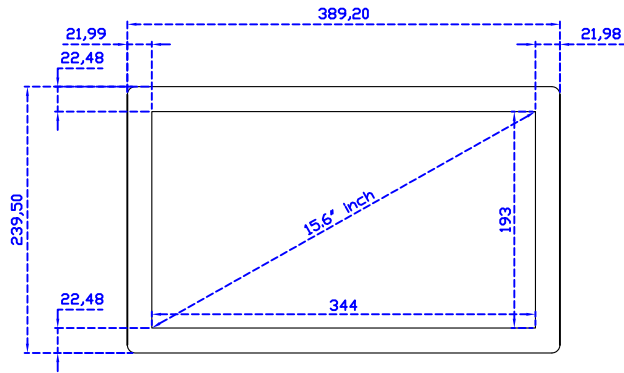
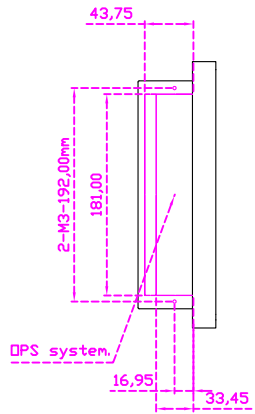
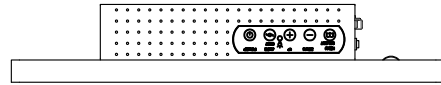
AIM-TMPCT156-R15W V



AIM-TMPCT156-R15W Y

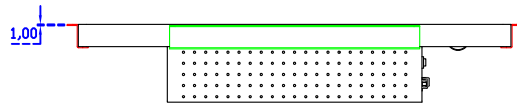
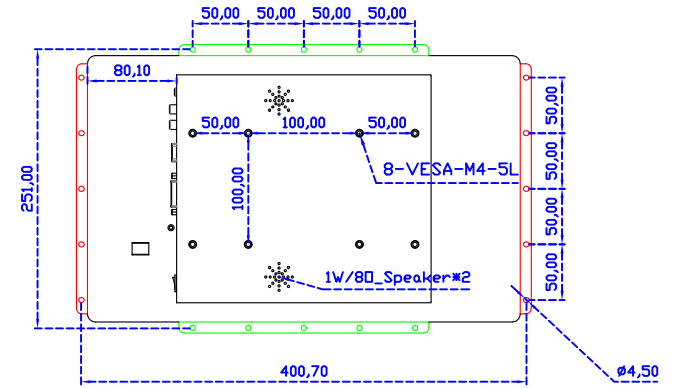
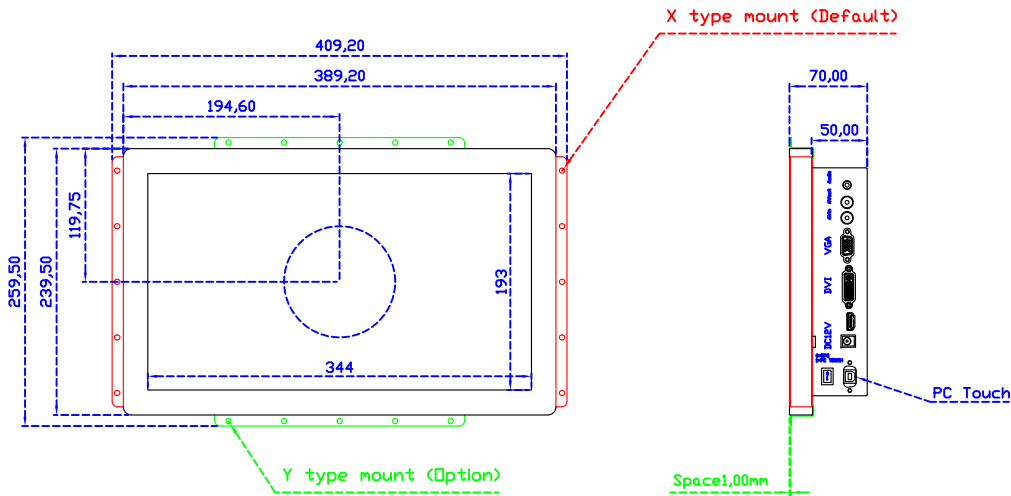
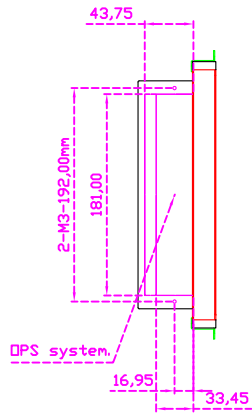
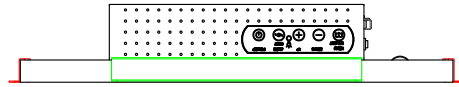


3 Year Warranty
LCD Panel 1 Year



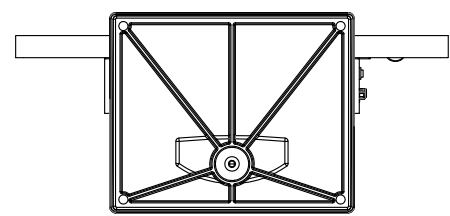
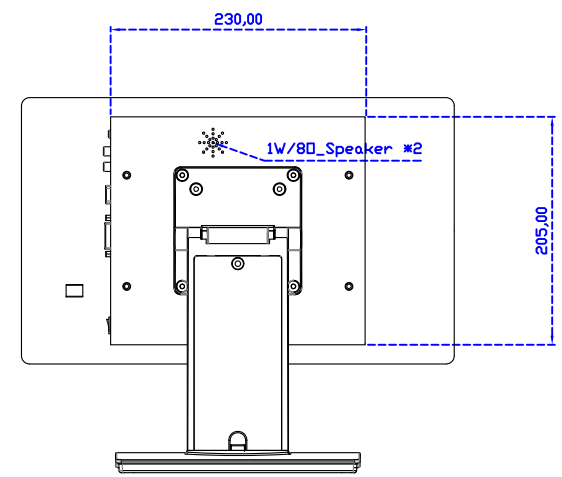
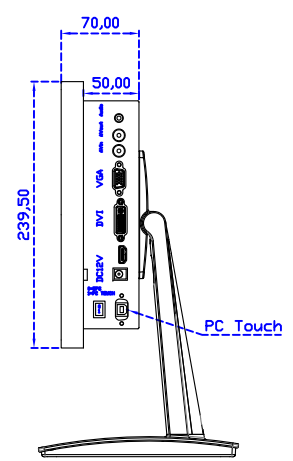
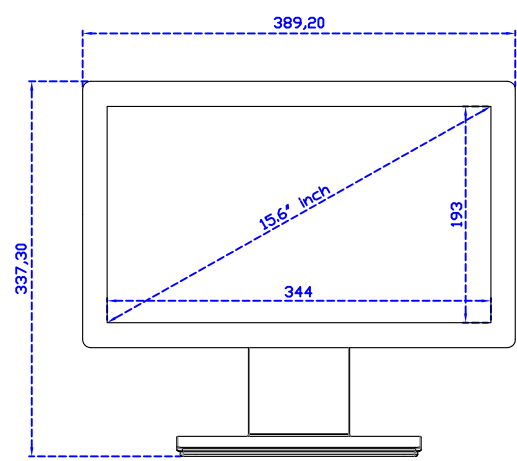
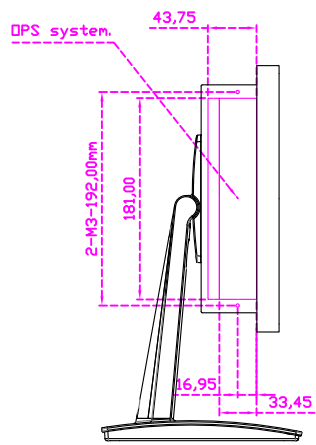
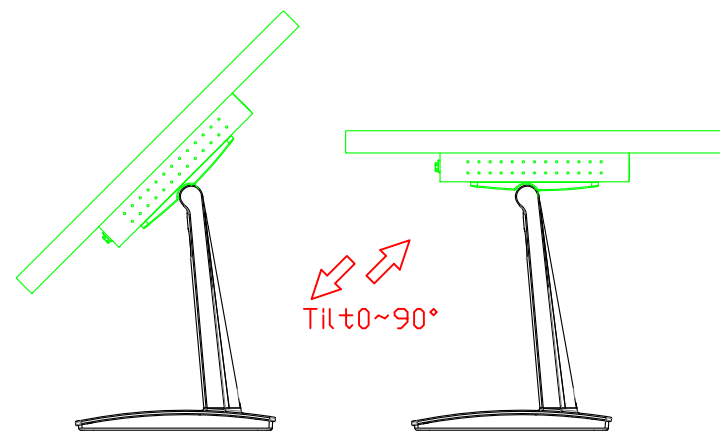
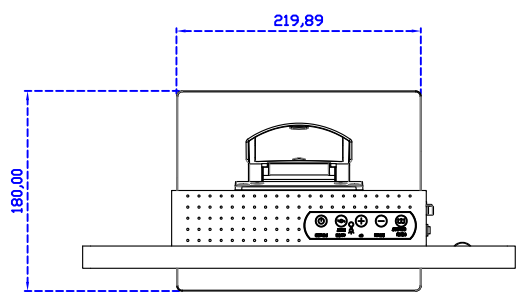
15.6" Touch Monitor.
(VESA Mount)

AIM-TMPCT156-R15W



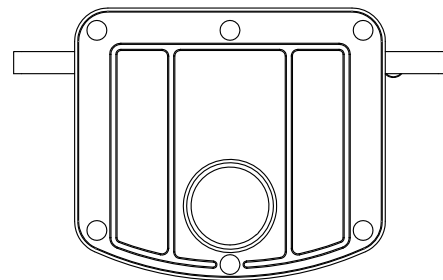
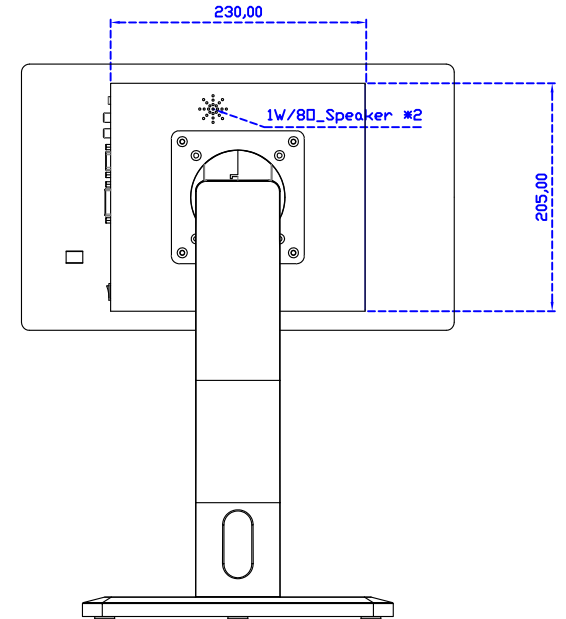
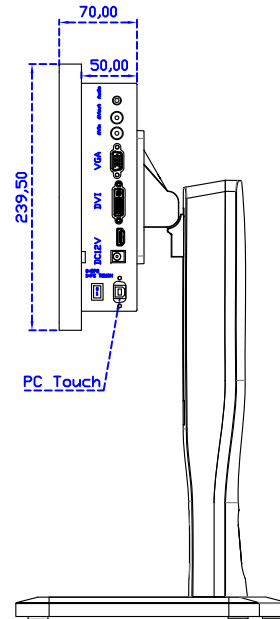
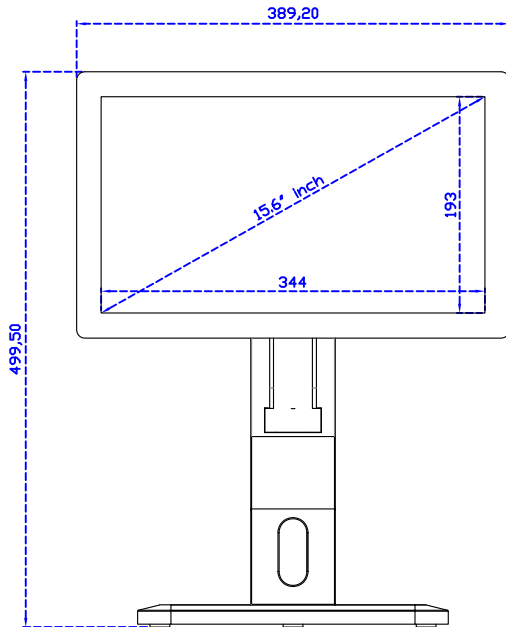
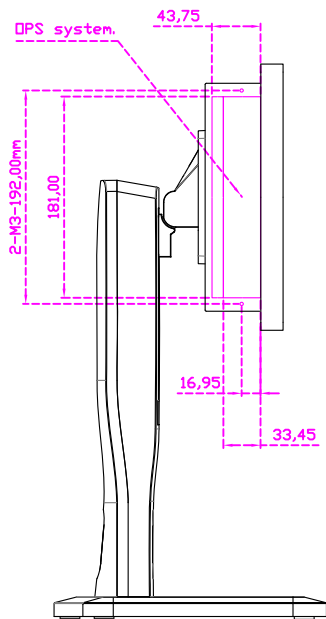
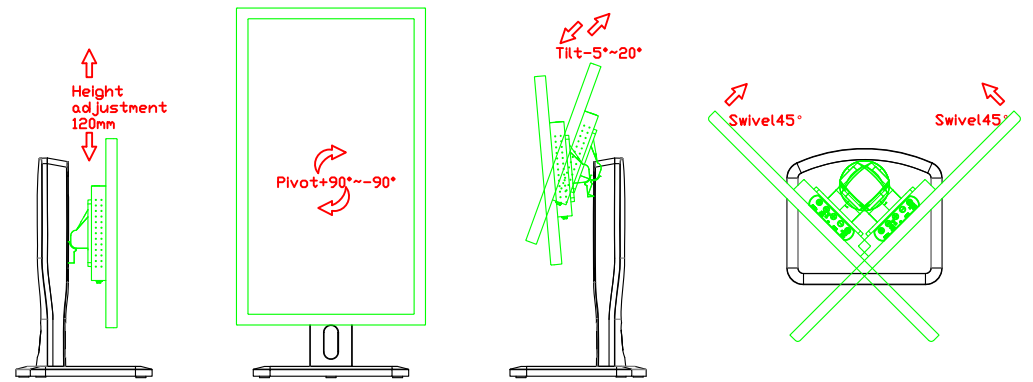
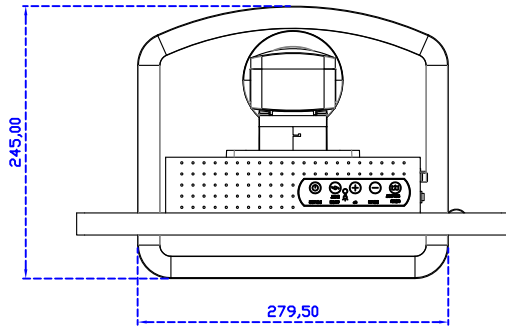
15.6" Embedded Touch Monitor.
(Open Frame)

AIM-TM0PPCT156-R15W



15.6" Desktop Touch Monitor.
(Support DPS system)
(PDS Stand)

AIM-TMPCT156-R15W V



15.6" Desktop Touch Monitor.
(Support DPS system)
(Ergonomic Stand)

AIM-TMPCT156-R15W Y