

## 15" inch Touch Monitor (POS-styler)

### Products application :

- POS Terminal
- Industrial PC
- Kiosk
- Gaming
- Medical apparatus
- Personal computer
- Mobile GPS
- Office automation
- Security system of the house
- Car-mounted amusement
- Military equipment
- Communicate



**Black : V01**



**White : VW01**



## 15" inch Touch Monitor (POS-styler)

### Display Specifications :

Active Area	304 × 228 mm
Pixel Pitch	0.297 × 0.297 mm
Brightness	300 cd/m <sup>2</sup>
Contrast Ratio	800 : 1
Resolution	1024 × 768 ( XGA )
Viewing Angle	L/R 160° ; U/D 160°
Response Time	8 ms ( Tr + Tf )
Display Colors	16.2M
Display Modes	640×480 ; 800×600 ; 1024×768
Signal input	VGA ; Audio
Mini-Audio out	1W ( 8Ω ) ×1
OSD Keyboard	⊙Power ⊙Auto adjust ⊕ ⊖ ⊙Menu
Power Source	DC 12V ; ≤15w ; Standby ≤1w
Power Consumption	
Storage · Operation	-30~80°C ; -20~70°C
VESA	75×75 mm
Casing Colors	Black or White
Casing Size · Weight	347 × 276 × 45.2 mm ; 4kg ( W×H×D )
Carton · gross weight	410 × 420 × 140 mm ; 5.5kg ( W×H×D )



### Touch Feature :

Input Method	Finger, gloved hand, or stylus activation
Activation Force	≥ 50g
Linearity	≤ 1.5%
Surface	≥ 3H
Life Time	≤ 35,000,000
Application	Writing and Signature Capture Capability
PC Link	USB or RS232

### Software Feature :

Calibration	Fast full oriental 4 points position
Compensation	Edge compensation. Accuracy 25 points linearity compensation
Draw Test	Position and linearity verification
Controller	Support multiple controllers
Languages	English · Simple Chinese · Traditional Chinese · Japanese · French · German · Spanish · Korean · Arabic · Czech · Danish · Dutch · Greek · Hungarian · Italian · Norwegian · Russian · Polish · Portuguese · Slovenian · Swedish · Thai · Turkish
Mouse Emulator	Right / left button emulation. Auto Right / left Click ( PDA function )
Touch Style	Drawing a Mode · button a Mode · Touch Off/ on Switch
Double Click	Configurable double click speed · Configurable double click area
Sound Modes	No sound · Touch down · Touch up
COM Port Support	COM1 ~ COM255 for Windows and Linux COM1 ~ COM8 for MS- DOS
Display Support	display rotation · Support multiple monitors
Support O.S	All Windows-32 bit O.S Windows7 ; VISTA ; XP-64 bit O.S MS-DOS ; A II Linux ; MAC

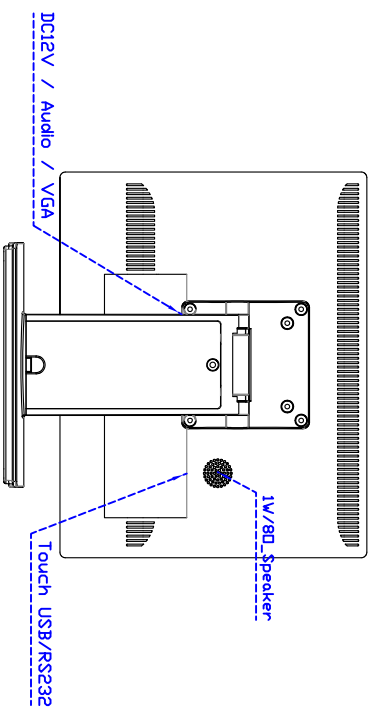
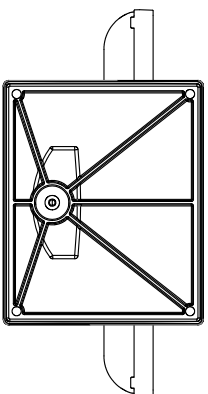
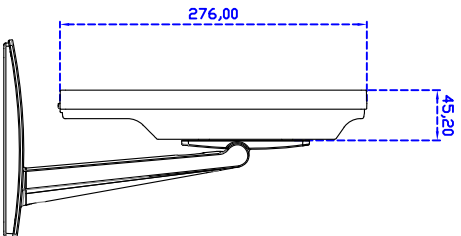
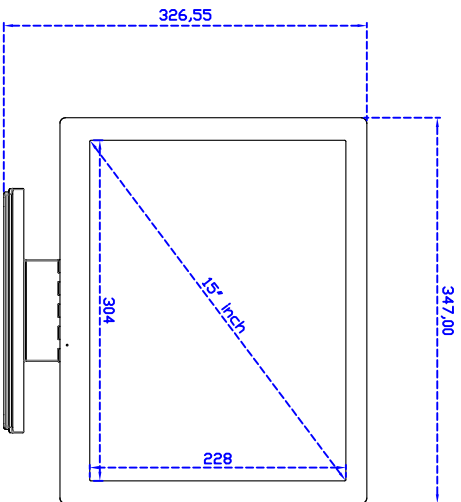
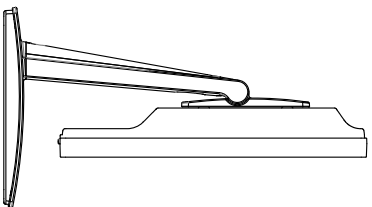
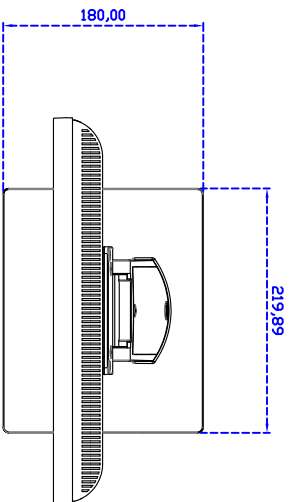
### Order information :

AIM-TM5R150-V01 :	【VGA/AUDIO/USB-TOUCH/ Black】	AIM-TM5R150-V02 :	【VGA/AUDIO/RS232-TOUCH/ Black】
AIM-TM5R150-VW01 :	【VGA/AUDIO/USB-TOUCH/White】	AIM-TM5R150-VW02 :	【VGA/AUDIO/RS232-TOUCH/White】
AIM-TM5R150-V05 :	【VGA/AUDIO/DVI/USB-Touch/ Black】	AIM-TM5R150-V06 :	【VGA/AUDIO/DVI/RS232-Touch/ Black】
AIM-TM5R150-VW05 :	【VGA/AUDIO/DVI/USB-Touch/White】	AIM-TM5R150-VW06 :	【VGA/AUDIO/DVI/RS232-Touch/White】
Accessory	VGA Cable/AC90~260V Adapter/Power Cable/Audio Cable/USB or RS232 Cable/Touch Pen/Cleaning wipes/Driver Disk ※DVI Cable		



**3 Year Warranty**  
LCD Panel 1 Year





15" Desktop Touch Monitor.

AIM-TMxxxx150-V01