

15" Resistive Single Touch Monitor

Products application :

- POS Terminal
- Industrial PC
- Kiosk
- Gaming
- Medical apparatus
- Personal computer
- Mobile GPS
- Office automation
- Security system of the house
- Car-mounted amusement
- Military equipment
- Communicate



AIM-TM5R150-V07



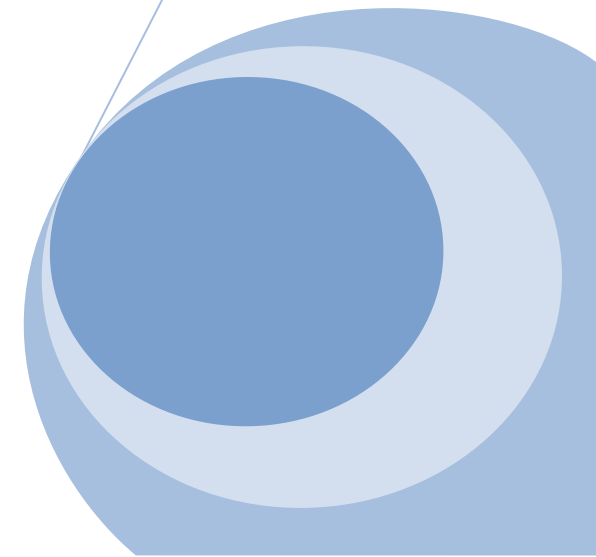
AIM-TM5R150-V W07

Order information :

Touch interface :

Mount type :

| | | |
|------------------------------|-------|--------------------------|
| AIM-TM5R150-G07 N (Black) | USB | VESA (Without Stand) |
| AIM-TM5R150-G08 N (Black) | RS232 | |
| AIM-TM5R150-GW07 N (White) | USB | VESA (Without Stand) |
| AIM-TM5R150-GW08 N (White) | RS232 | |
| AIM-TM5R150-G07 (Black) | USB | Foldable Stand (1.4kg) |
| AIM-TM5R150-G08 (Black) | RS232 | |
| AIM-TM5R150-P07 (Black) | USB | Photo Stand (1kg) |
| AIM-TM5R150-P08 (Black) | RS232 | |
| AIM-TM5R150-V07 (Black) | USB | POS Stand (1.1kg) |
| AIM-TM5R150-V08 (Black) | RS232 | |
| AIM-TM5R150-V W07 (White) | USB | POS Stand (1.1kg) |
| AIM-TM5R150-V W08 (White) | RS232 | |



15" Resistive Single Touch Monitor

Display Specifications :

| | |
|-----------------------|---|
| Active Area | 304 × 228 mm |
| Pixel Pitch | 0.297 × 0.297 mm |
| Brightness | 300 cd/m ² |
| Contrast Ratio | 2000 : 1 |
| Resolution | 1024 x 768 (XGA) |
| Viewing Angle | L/R176° ; U/D176° |
| Response Time | 23ms (Tr + Tf) |
| Display Colors | 16.2M |
| Display Modes | 640×480 ; 800×600 ; 1024×768 |
| Signal input | VGA ; Audio ; Display Port ; HDMI |
| Speaker | 1W (8Ω) × 1 |
| OSD Keyboard | ⊙Power ⊙Auto adjust ⊕ ⊖ ⊙Menu |
| Power Source | DC 12V (DC Jack Φ2.1mm) |
| Power Consumption | ≤14w |
| Storage 、 Operation | -30~70°C ; -20~70°C |
| VESA | 75×75 mm |
| Casing Colors | Black (White) |
| Casing Size 、 Weight | 347 × 276 × 45.2 mm ; 2.6 kg (W×H×D) (Without Stand) |
| Carton 、 gross weight | 410 × 420 × 140 mm ; 4.1 kg (W×H×D) |
| Accessory | VGA cable / HDMI cable / Audio cable / AC90~260V Adapter / Power cable / USB or RS232 cable / Touch pen / Cleaning wipes / Driver Disk ※DP cable (Optional) |

※AiM Touch has the right to update specs without further notice



AIM-TM5R150-G07



AIM-TM5R150-P07



15" Resistive Single Touch Monitor

Touch Feature :

| | |
|------------------|---|
| Input Method | Finger, gloved hand, or stylus activation |
| Activation Force | ≤50g |
| Linearity | ≤1.5% |
| Surface | ≥3H |
| Life Time | ≥35,000,000 |
| Application | Writing and Signature Capture Capability |

Software Feature :

| | |
|------------------|---|
| Calibration | Fast full oriental 4 points position |
| Compensation | Edge compensation. Accuracy 25 points linearity compensation |
| Draw Test | Position and linearity verification |
| Controller | Support multiple controllers |
| Languages | English · Simple Chinese · Traditional Chinese · Japanese · French · German · Spanish · Korean · Arabic · Czech · Danish · Dutch · Greek · Hungarian · Italian · Norwegian · Russian · Polish · Portuguese · Slovenian · Swedish · Thai · Turkish |
| Mouse Emulator | Right / left button emulation. Auto Right / left Click (PDA function) |
| Touch Style | Drawing a Mode · button a Mode · Touch Off/ on Switch |
| Double Click | Configurable double click speed · Configurable double click area |
| Sound Modes | No sound · Touch down · Touch up |
| COM Port Support | COM1 ~ COM255 for Windows and Linux COM1 ~ COM8 for MS- DOS |
| Display Support | display rotation · Support multiple monitors |
| Support O.S | All Windows-32/64bit O.S Android ; Linux ; MAC |



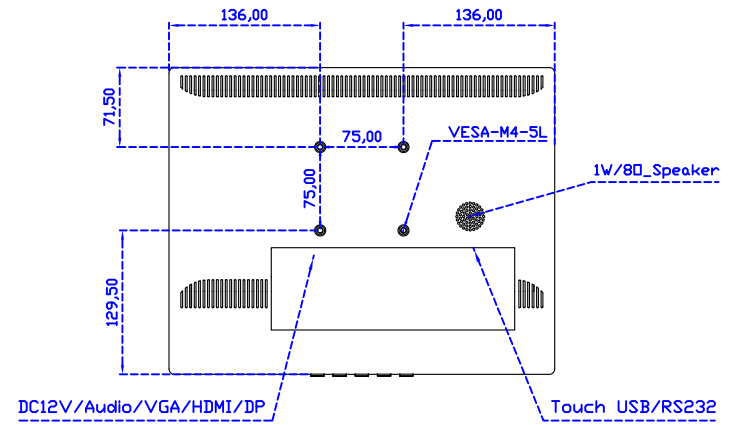
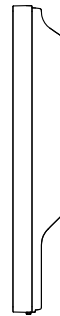
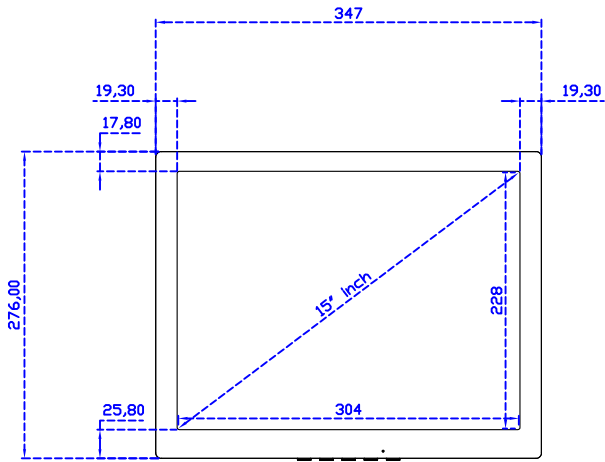
AIM-TM5R150-V07



3 Year Warranty
LCD Panel 1 Year

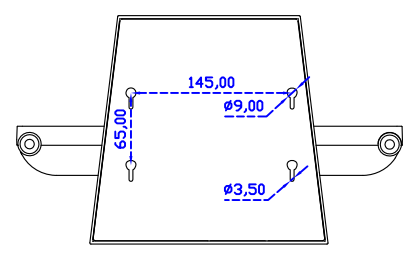
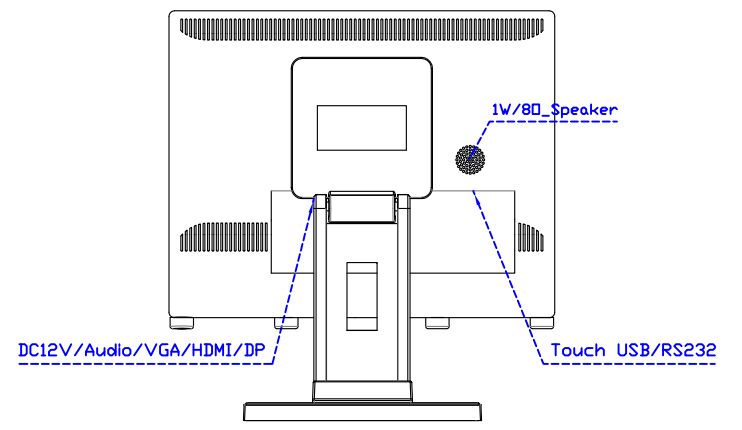
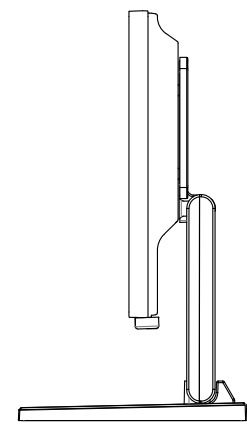
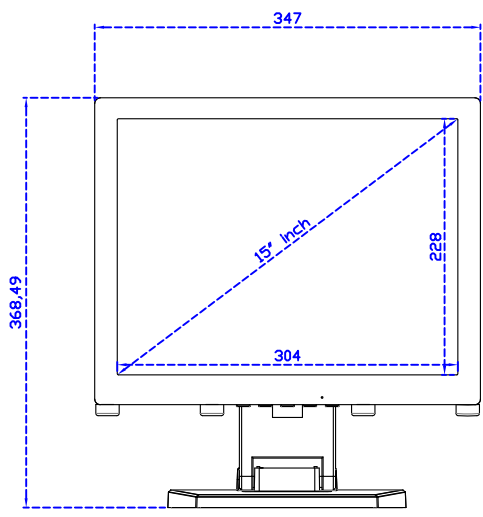
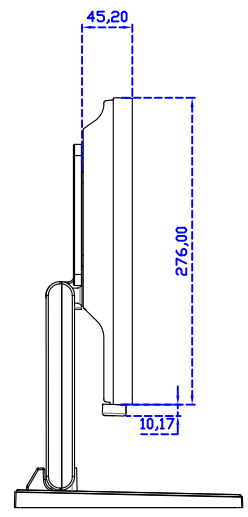
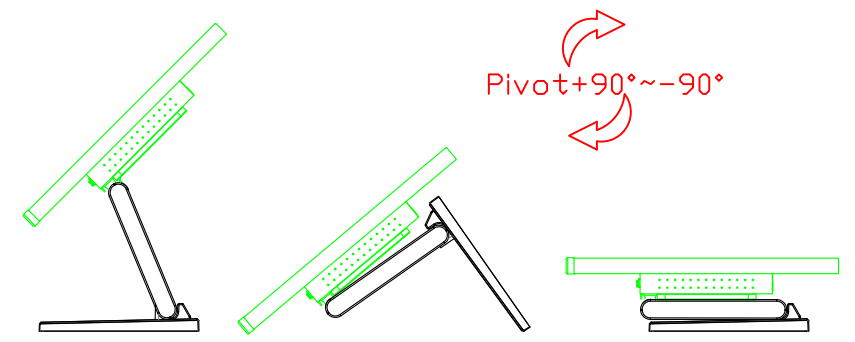
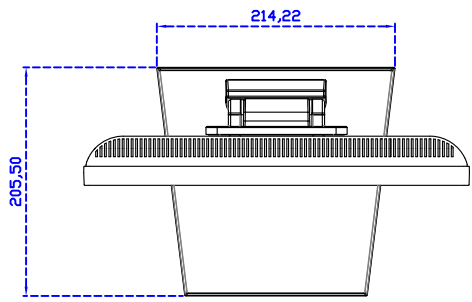


45,20



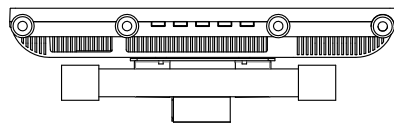
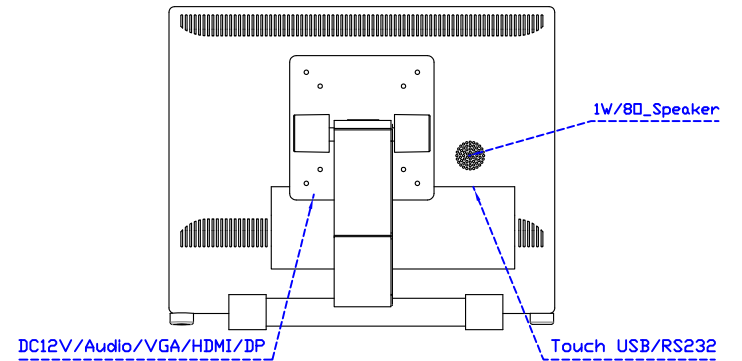
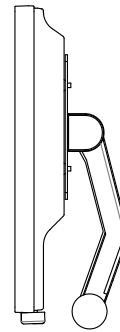
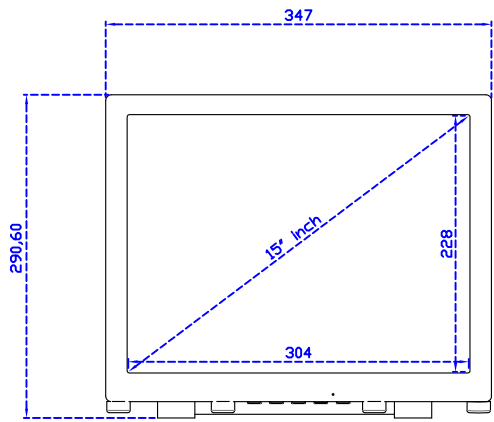
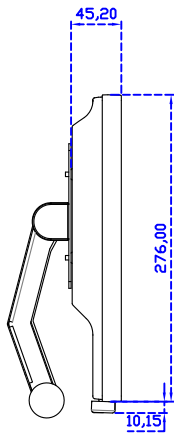
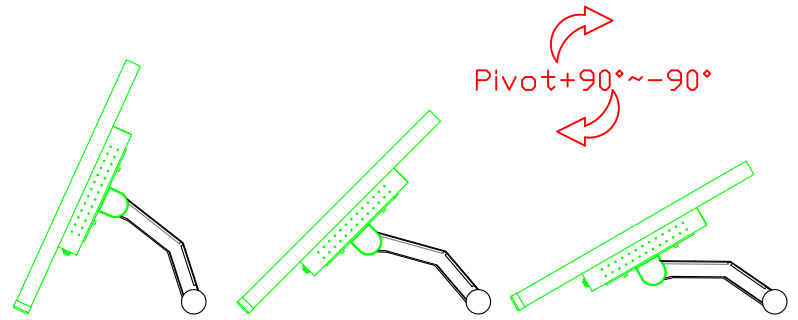
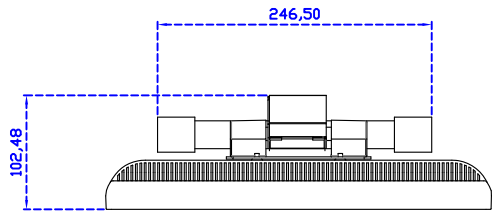
15" Touch Monitor.
(VESA Mount)

AIM-TMxxxx150-G07 N



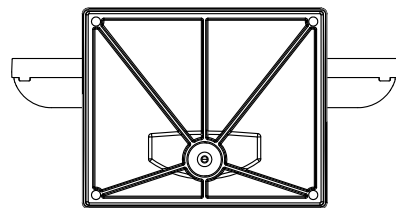
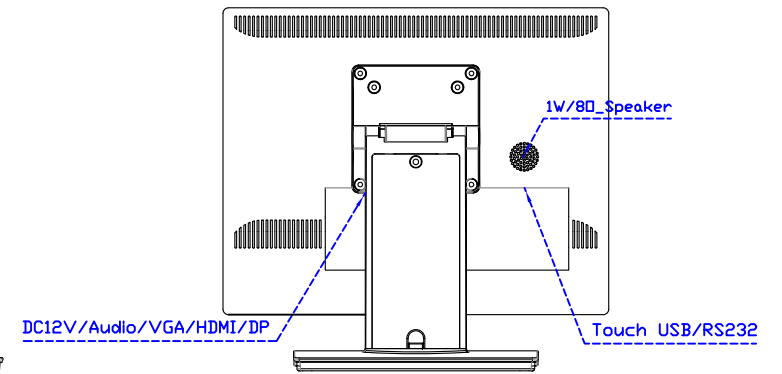
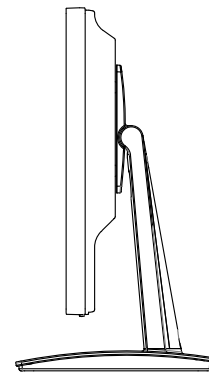
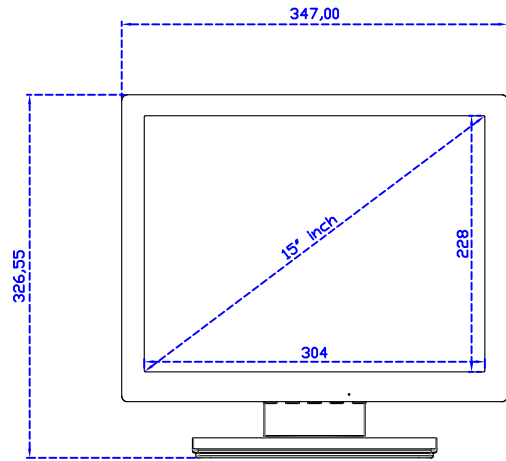
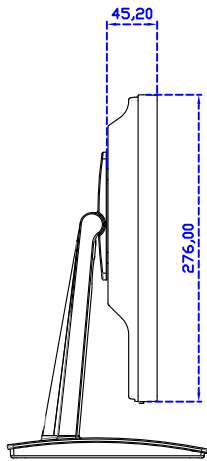
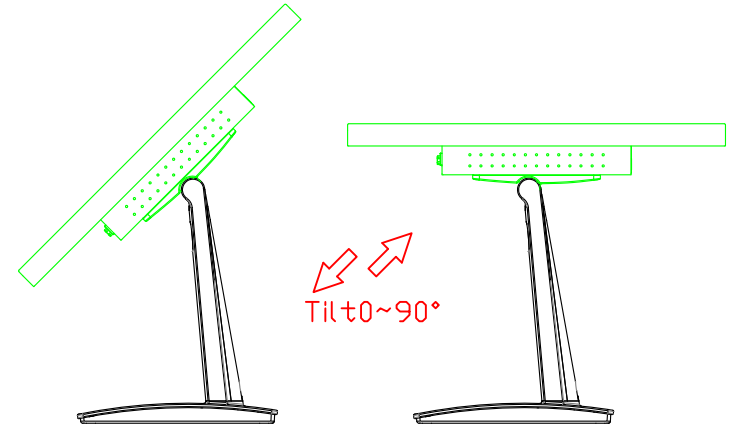
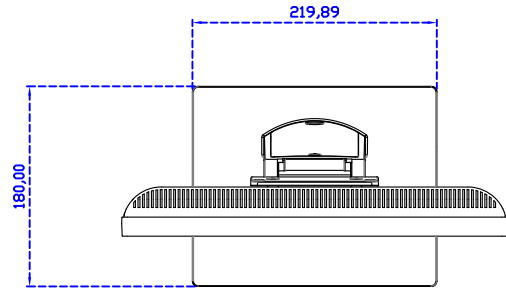
15" Desktop Touch Monitor.
(Folding Stand)

AIM-TMxxx150-G07



15" Desktop Touch Monitor.
(Photo Stand)

AIM-TMxxx150-P07



15" Desktop Touch Monitor.
(POS Stand)

AIM-TMxxxx150-V07