

12.1" inch Embedded Touch Monitor

Products application :

- POS Terminal
- Industrial PC
- Kiosk
- Gaming
- Medical apparatus
- Personal computer
- Mobile GPS
- Office automation
- Security system of the house
- Car-mounted amusement
- Military equipment
- Communicate



12.1" inch Embedded Touch Monitor

Display Specifications :

Active Area	246 × 184 mm
Pixel Pitch	0.3075 × 0.3075 mm
Brightness	330 cd/m ²
Contrast Ratio	800 : 1
Resolution	800 x 600 (SVGA)
Viewing Angle	L/R 160° ; U/D 140°
Response Time	30 ms (Tr + Tf)
Display Colors	16.2M
Display Modes	640×480 ; 800×600
Signal input	VGA ; Audio ; DVI
Mini-Audio out	1W (8Ω) × 1
OSD Keyboard	⊙Menu/Select ⊙ - ⊙ + ⊙Auto/Exit ⊙Power
Power Source	DC 12V ; ≤ 12.5w ; Standby ≤ 1w
Power Consumption	
Storage / Operation	-30~70°C ; -10~65°C
VESA	75×75 or 100×100 mm
Casing Colors	Black
Casing Size / Weight	319.8 × 231.9 × 45.5 mm ; 3.2 kg (W×H×D)
Carton / gross weight	385 × 365 × 185 mm ; 4.7 kg (W×H×D)



Touch Feature :

Input Method	Finger, gloved hand, or stylus activation
Activation Force	≥ 50g
Linearity	≤ 1.5%
Surface	≥ 3H
Life Time	≤ 35,000,000
Application	Writing and Signature Capture Capability
PC Link	USB or RS232

Software Feature :

Calibration	Fast full oriental 4 points position
Compensation	Edge compensation. Accuracy 25 points linearity compensation
Draw Test	Position and linearity verification
Controller	Support multiple controllers
Languages	English / Simple Chinese / Traditional Chinese / Japanese / French / German / Spanish / Korean / Arabic / Czech / Danish / Dutch / Greek / Hungarian / Italian / Norwegian / Russian / Polish / Portuguese / Slovenian / Swedish / Thai / Turkish
Mouse Emulator	Right / left button emulation. Auto Right / left Click (PDA function)
Touch Style	Drawing a Mode / button a Mode / Touch Off/ on Switch
Double Click	Configurable double click speed / Configurable double click area
Sound Modes	No sound / Touch down / Touch up
COM Port Support	COM1 ~ COM255 for Windows and Linux COM1 ~ COM8 for MS- DOS
Display Support	display rotation / Support multiple monitors
Support O.S	All Windows-32 bit O.S Windows7-8-10 ; XP-64 bit O.S MS-DOS ; All Linux ; MAC

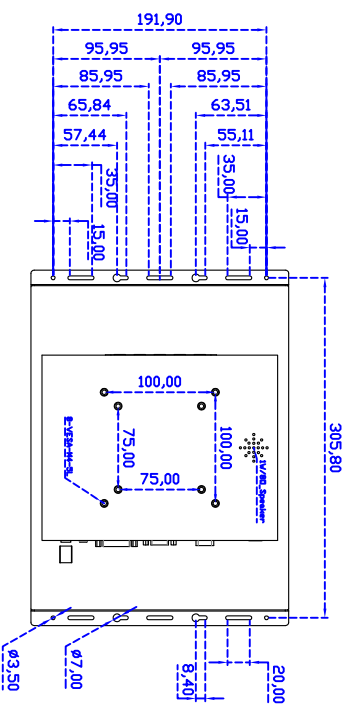
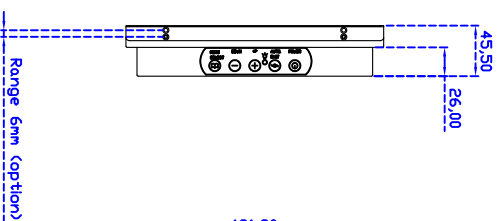
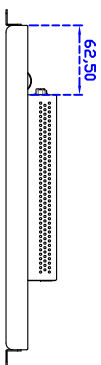
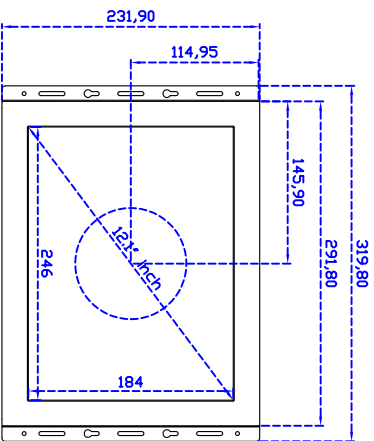
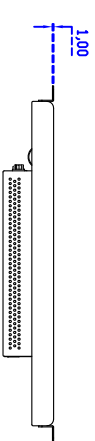
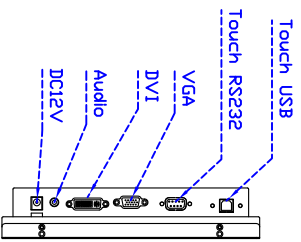
Order information :

AIM-TMOP5R121-R01 : Accessory	【VGA/AUDIO/DVI/USB-TOUCH】	AIM-TMOP5R121-R02 : Accessory	【VGA/AUDIO/DVI/RS232-TOUCH】
	VGA Cable/AC90~260V Adapter/Power Cable/Audio Cable/USB or RS232 Cable/Touch Pen/ Cleaning wipes/Driver Disk ※DVI Cable(Optional)		



3 Year Warranty
LCD Panel 1 Year





12.1" Embedded Touch Monitor.

AIM-TM0Pxxxxx121-R01_R03