

10.4" True Flat Projected capacitive Multi-Touch Monitor

Products application :

- POS Terminal
- Industrial PC
- Kiosk
- Gaming
- Medical apparatus
- Personal computer
- Mobile GPS
- Office automation
- Security system of the house
- Car-mounted amusement
- Military equipment
- Communicate



AIM-TMPCT104-R11



AIM-TMOPPCT104-R11

Order information :

Touch interface :

Mount type :

AIM-TMPCT104-R11

USB (Multi-Touch*10)

VESA (Without Stand)

AIM-TMOPPCT104-R11

USB (Multi-Touch*10)

Embedded (Open Frame)

AIM-TMPCT104-R11 V

USB (Multi-Touch*10)

POS Stand (1.1kg)



10.4" True Flat Projected capacitive Multi-Touch Monitor

Display Specifications :

Active Area	210 × 157 mm
Pixel Pitch	0.0685 × 0.2055 mm
Brightness	500 cd/m ²
Contrast Ratio	1000 : 1
Resolution	1024 x 768 (XGA)
Viewing Angle	L/R176° ; U/D176°
Response Time	25ms (Tr + Tf)
Display Colors	16.2M
Display Modes	640×480 ; 800×600 ; 1024×768
Signal input	VGA ; Audio ; DVI
Speaker	1W (8Ω) × 1
OSD Keyboard	⊙Power ⊙Auto adjust ⊕ ⊖ ⊙Menu
Power Source	DC 12V (DC Jack Φ2.1mm)
Power Consumption	≤15w
Storage 、 Operation	-30~85°C ; -30~85°C
VESA	75×75 ; 100×100 mm
Casing Colors	Black (OEM other colors)
Casing Size 、 Weight	250.6 × 187.6 × 46 mm ; 1.6 kg (W×H×D) (Without Stand)
Carton 、 gross weight	385 × 365 × 185 mm ; 3.0 kg (W×H×D)
Accessory	VGA cable / Audio cable / AC90~260V Adapter / Power cable / USB cable / Cleaning wipes / Driver Disk ※DVI cable (Optional)

※AIM Touch has the right to update specs without further notice.



AIM-TMOPPCT104-R11



10.4" True Flat Projected capacitive Multi-Touch Monitor

Touch Feature :

Input Method	Capacitive stylus, Finger
Linearity	≤2.5mm
Surface	≥7H
Life Time	Unlimited
Application	Writing and Signature Capture Capability

Software Feature :

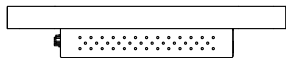
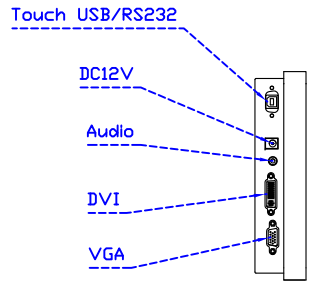
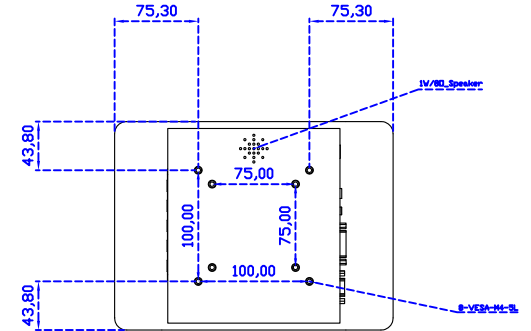
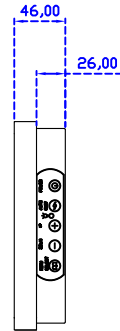
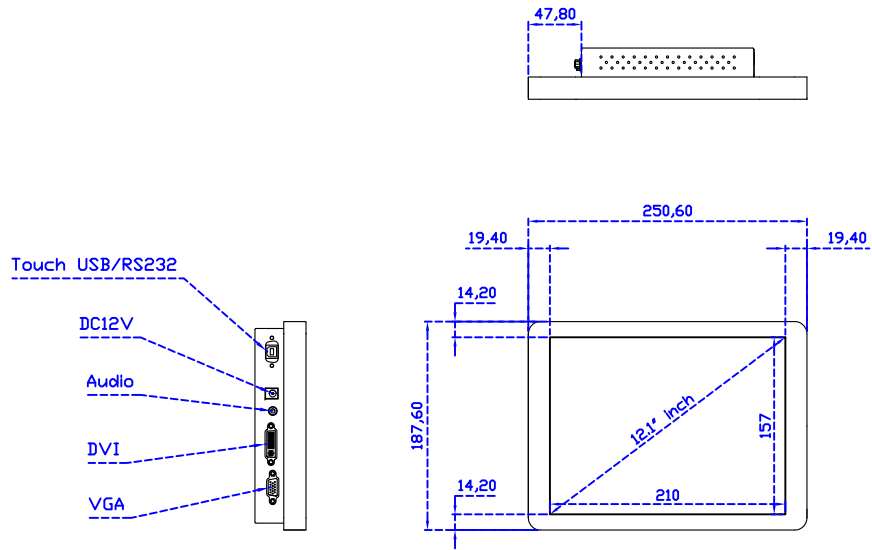
Draw Test	Position and linearity verification
Controller	Support multiple controller
Languages	English · Simple Chinese · Traditional Chinese · Japanese · French · German · Spanish · Korean · Arabic · Czech · Danish · Dutch · Greek · Hungarian · Italian · Norwegian · Russian · Polish · Portuguese · Slovenian · Swedish · Thai · Turkish
Mouse Emulator	Right / left button emulation. Auto Right / left Click (PDA function)
Touch Style	Drawing a Mode · button a Mode · Touch Off/ on Switch
Double Click	Configurable double click speed · Configurable double click area
Sound Modes	No sound · Touch down · Touch up
Display Support	display rotation · Support multiple monitors
Division Pattern	Support two halves and four parts with touch function, you can also create
Settings:	your own division patterns.
Edge compensation	Support edge compensation and you can also add your own numbers for it.
Support O.S	All Windows-32/64bit O.S Android ; Linux ; MAC



AIM-TMPCT104-R11 V

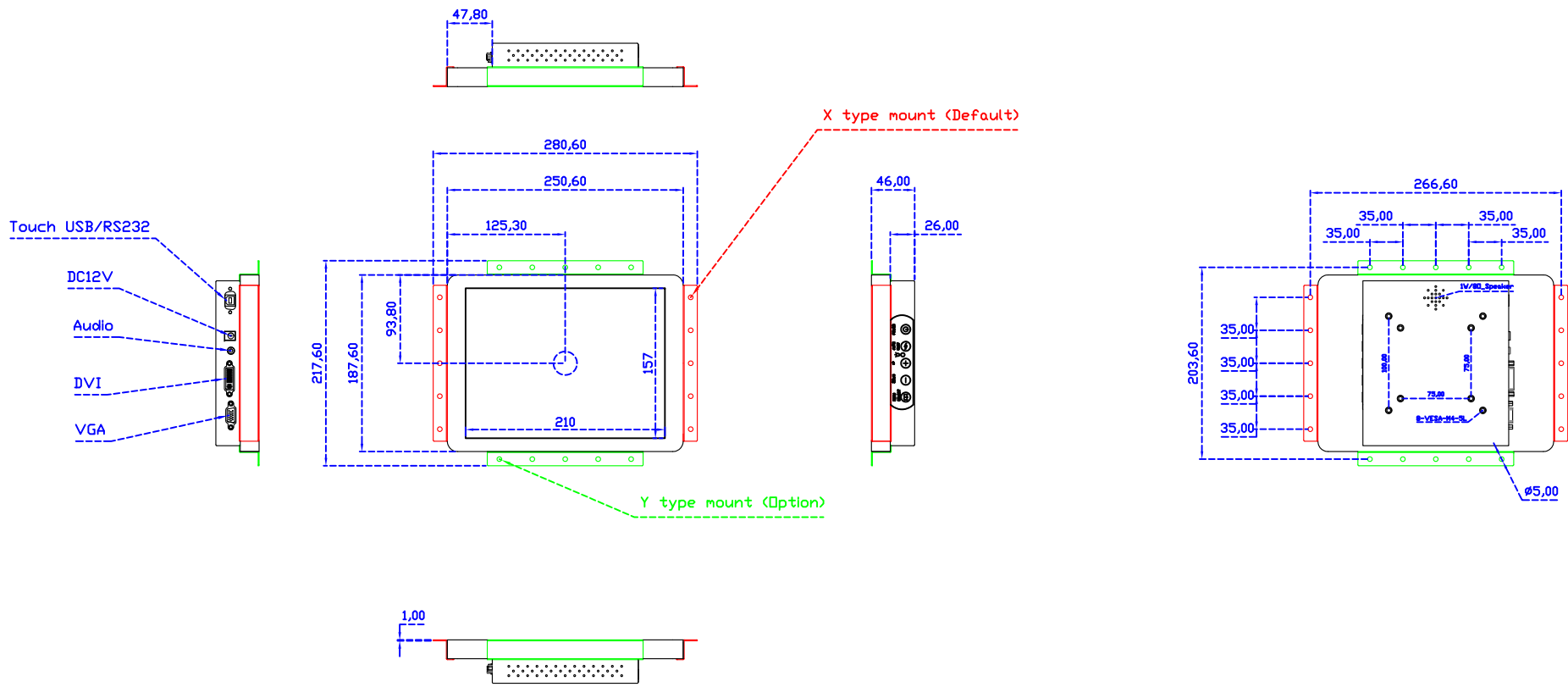


3 Year Warranty
LCD Panel 1 Year



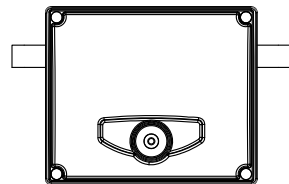
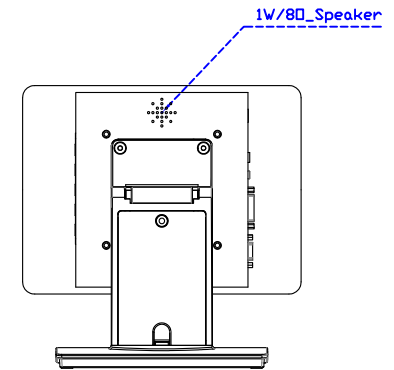
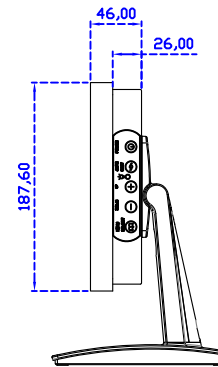
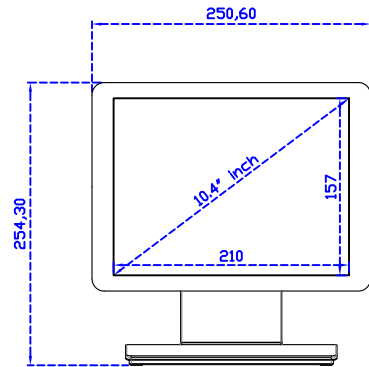
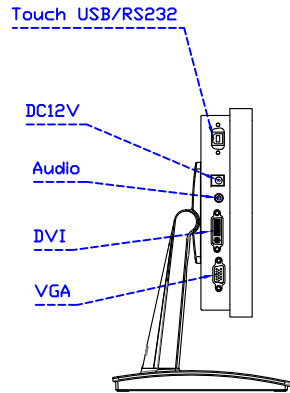
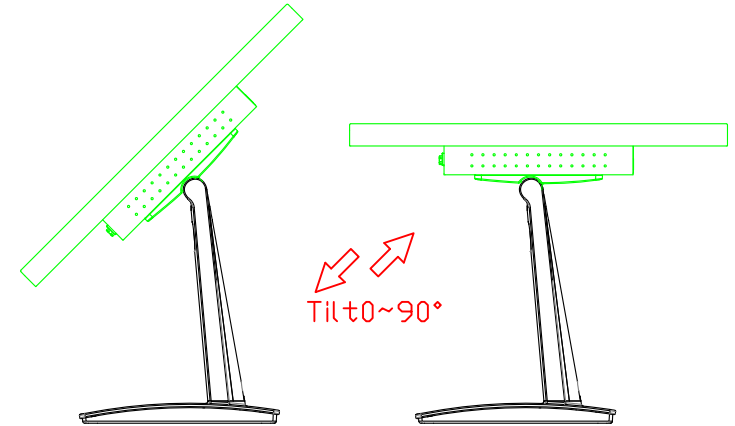
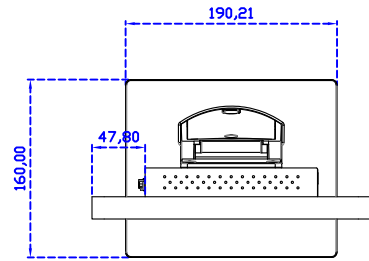
10.4" Touch Monitor.
(VESA Mount)

AIM-TMPCT104-R11



10.4" Embedded Touch Monitor.
(Open Frame)

AIM-TMOPPCT104-R11



10.4" Desktop Touch Monitor.
(PQS Stand)

AIM-TMPCT104-R11 V