

## 10.4" Infrared Ray Multi-Touch Monitor

### Products application :

- POS Terminal
- Industrial PC
- Kiosk
- Gaming
- Medical apparatus
- Personal computer
- Mobile GPS
- Office automation
- Security system of the house
- Car-mounted amusement
- Military equipment
- Communicate



AIM-TMIR104-R01



AIM-TMOPIR104-R01

### Order information :

### Touch interface :

### Mount type :

AIM-TMIR104-R01

USB ( Multi-Touch\*2 )

VESA ( Without Stand )

AIM-TMOPIR104-R01

USB ( Multi-Touch\*2 )

VESA ( Without Stand )

AIM-TMIR104-R01 A

USB ( Multi-Touch\*2 )

Foldable Stand ( 1.4kg )

AIM-TMIR104-R01 V

USB ( Multi-Touch\*2 )

POS Stand ( 0.8kg )



## 10.4" Infrared Ray Multi-Touch Monitor

### Display Specifications :

Active Area	210 × 157 mm
Pixel Pitch	0.0685 × 0.2055 mm
Brightness	500 cd/m <sup>2</sup>
Contrast Ratio	1000 : 1
Resolution	1024 x 768 ( XGA )
Viewing Angle	L/R176° ; U/D176°
Response Time	25ms ( Tr + Tf )
Display Colors	16.2M
Display Modes	640×480 ; 800×600 ; 1024×768
Signal input	VGA ; Audio ; DVI
Speaker	1W ( 8Ω ) × 1
OSD Keyboard	⊙Power ⊙Auto adjust ⊕ ⊖ ⊙Menu
Power Source	DC 12V ( DC Jack Φ2.1mm )
Power Consumption	≤15w
Storage 、 Operation	-30~85°C ; -30~85°C
VESA	75×75 ; 100×100 mm
Casing Colors	Black ( OEM other colors )
Casing Size 、 Weight	257 × 204 × 48 mm ; 1.7 kg ( W×H×D ) ( Without Stand )
Carton 、 gross weight	385 × 365 × 185 mm ; 3.1 kg ( W×H×D )
Accessory	VGA cable / Audio cable / AC90~260V Adapter / Power cable / USB cable / Cleaning wipes / Driver Disk ※DVI cable ( Optional )



AIM-TMIR104-R01 A



※AiM Touch has the right to update specs without further notice



## 10.4" Infrared Ray Multi-Touch Monitor

### Touch Feature :

Input Method	It detects anything that blocks lights
Linearity	≤2.5mm
Surface	≥7H
Life Time	Unlimited
Application	Writing and Signature Capture Capability

### Software Feature :

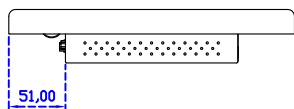
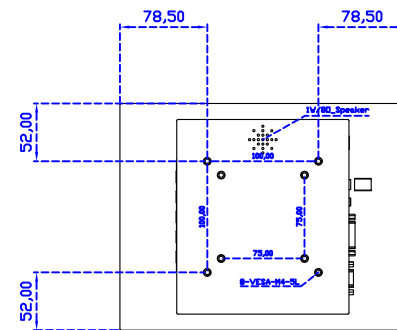
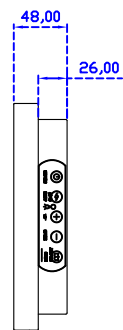
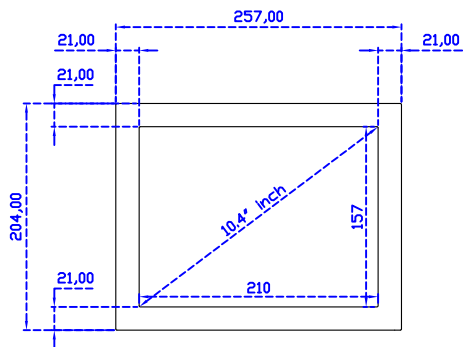
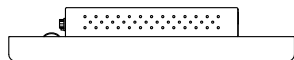
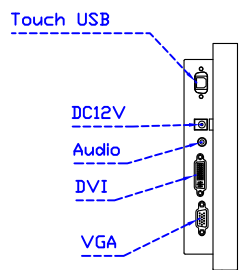
Calibration	4 points or 16 points or 25 points
Draw Test	Position and linearity verification
Controller	Support multiple controllers
Languages	English · Simple Chinese · Traditional Chinese · Japanese · German
Mouse Emulator	Right / left button emulation. Auto Right / left Click ( PDA function )
Touch Style	Drawing a Mode · button a Mode · Touch Off/ on Switch
Double Click	Configurable double click speed · Configurable double click area
Sound Modes	No sound · Touch down · Touch up
Display Support	display rotation · Support multiple monitors
Division Pattern	Support two halves and four parts with touch function, you can also create your own division patterns.
Settings:	
Edge compensation	Support edge compensation and you can also add your own numbers for it.
Support O.S	All Windows-32/64bit O.S Android ; Linux ; MAC



AIM-TMIR104-R01 V

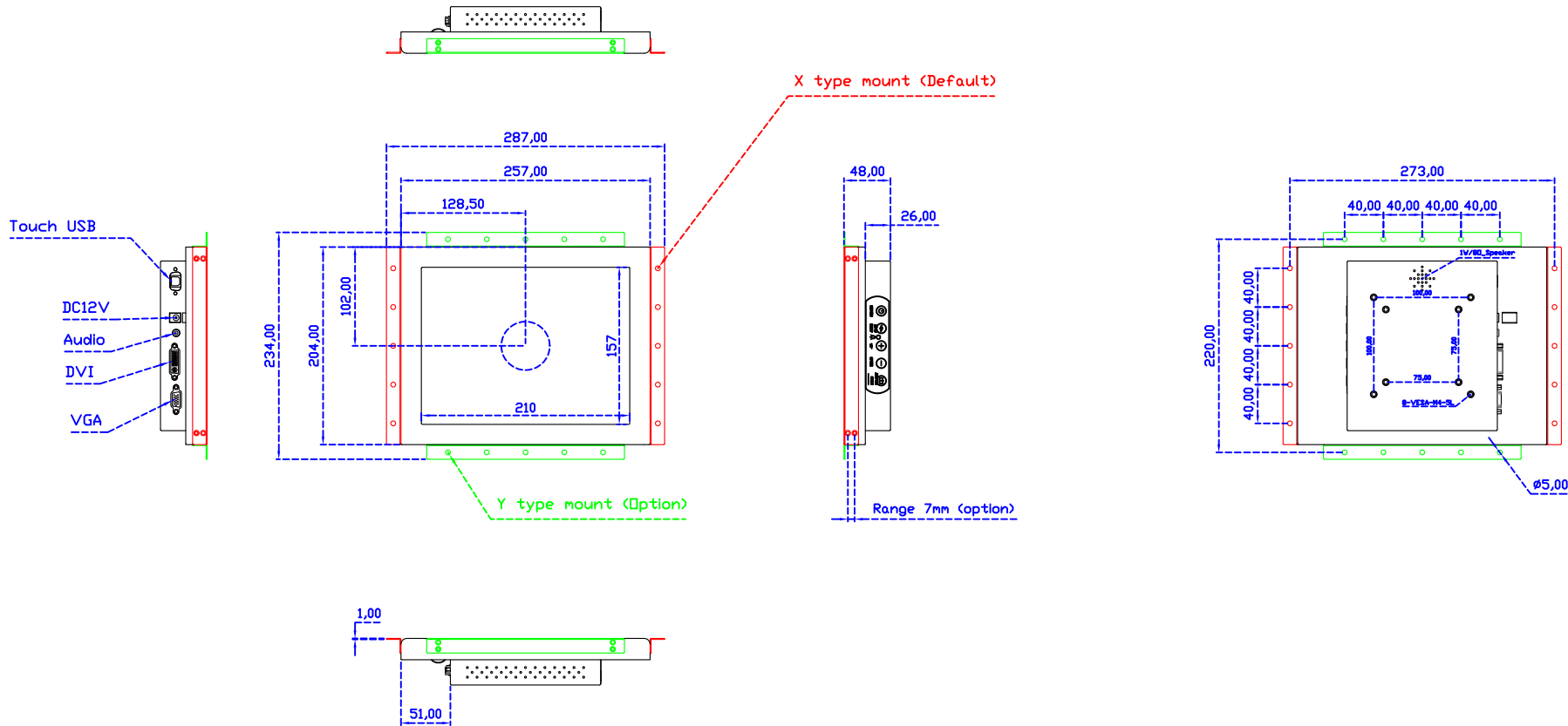


**3 Year Warranty**  
LCD Panel 1 Year



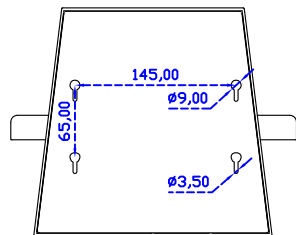
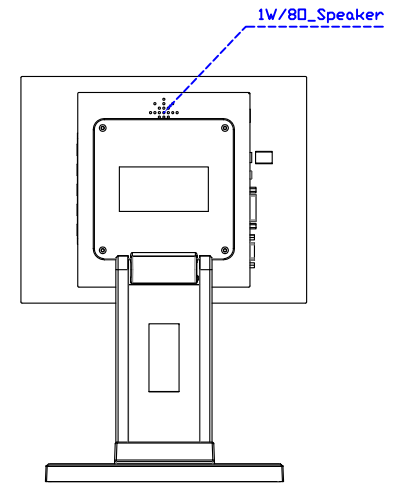
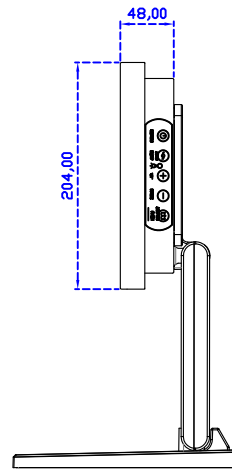
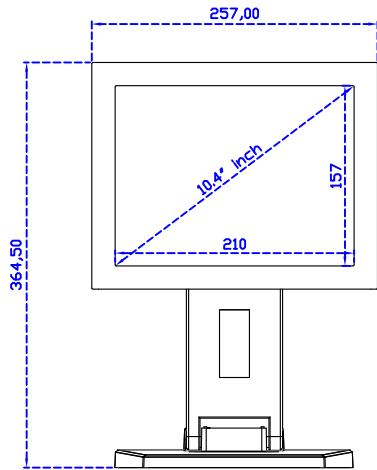
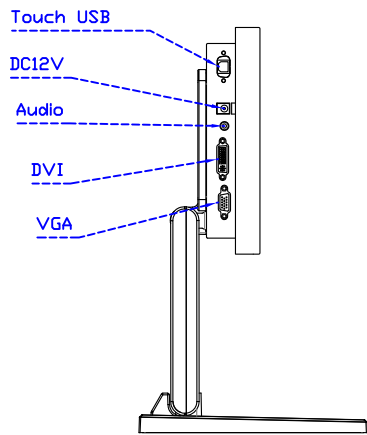
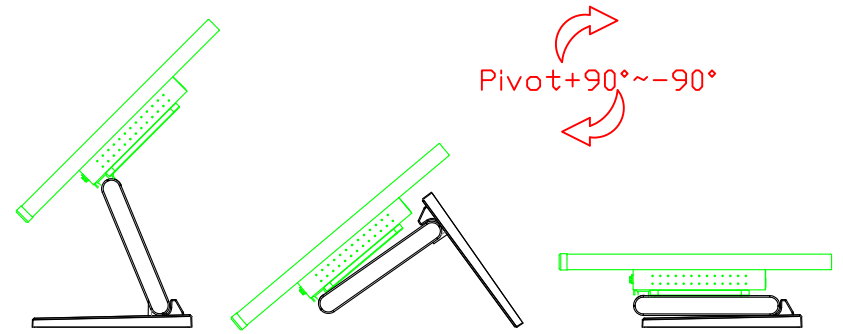
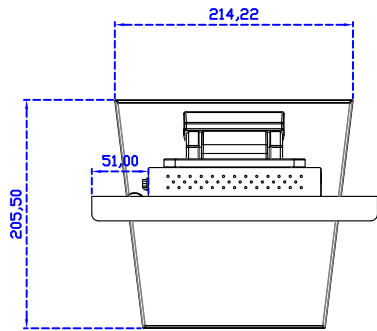
10,4" Touch Monitor.  
 (VESA Mount)

AIM-TMIR104-R01



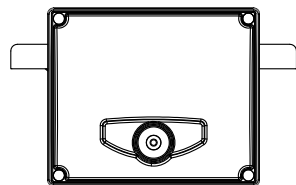
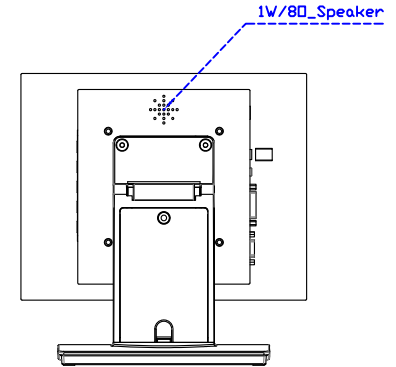
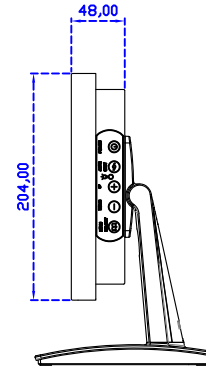
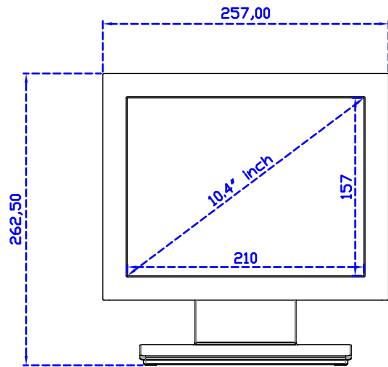
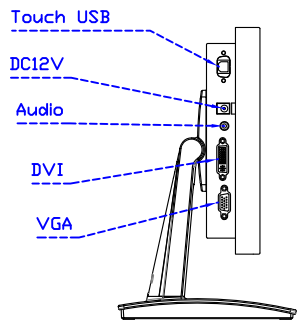
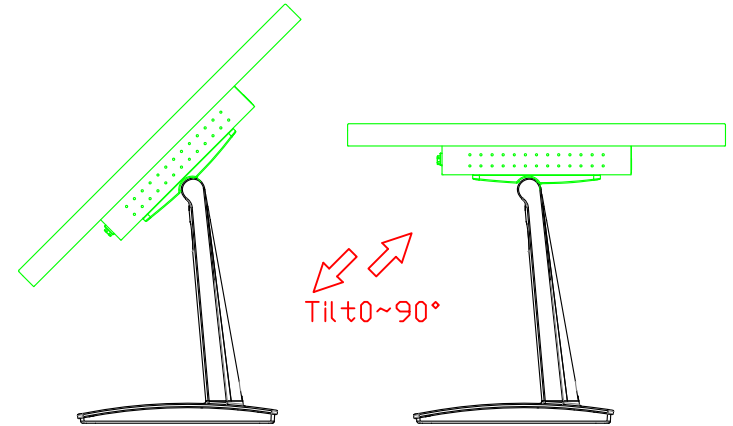
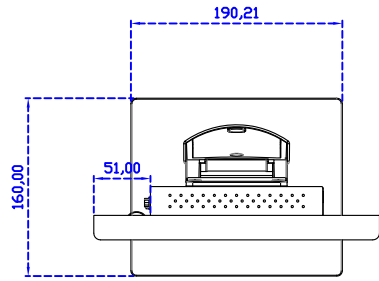
10.4" Embedded Touch Monitor.  
(Open Frame)

AIM-TM0PIR104-R01



10.4" Desktop Touch Monitor.  
(Foldable Stand)

AIM-TMIR104-R01 A



10.4" Desktop Touch Monitor.  
(PQS Stand)

AIM-TMIR104-R01 V