

10.4" inch Touch Monitor

Products application :

- POS Terminal
- Industrial PC
- Kiosk
- Gaming
- Medical apparatus
- Personal computer
- Mobile GPS
- Office automation
- Security system of the house
- Car-mounted amusement
- Military equipment
- Communicate



10.4" inch Touch Monitor

Display Specifications :

Active Area	210 × 157 mm
Pixel Pitch	0.0685 × 0.2055 mm
Brightness	350 cd/m ²
Contrast Ratio	1000 : 1
Resolution	1024 × 768 (XGA)
Viewing Angle	L/R 178° ; U/D 178°
Response Time	25 ms (Tr + Tf)
Display Colors	16.2 M
Display Modes	640×480 ; 800×600 ; 1024×768
Signal input	VGA ; Audio ; DVI
Mini-Audio out	1W (8Ω) × 1
OSD Keyboard	⊙Menu/Select ⊖ ⊕ ⊙Auto/Exit ⊙Power
Power Source	DC 12V ; ≤10w ; Standby ≤1w
Power Consumption	
Storage · Operation	-20~70°C ; -20~70°C
VESA	75×75 or 100×100 mm
Casing Colors	Black
Casing Size · Weight	254.8 × 196.9 × 45.5 mm ; 3.5kg (W×H×D)
Carton · gross weight	385 × 365 × 185 mm ; 4.9kg (W×H×D)



Touch Feature :

Input Method	Finger, gloved hand, or stylus activation
Activation Force	≥ 50g
Linearity	≤ 1.5%
Surface	≥ 3H
Life Time	≥ 35,000,000
Application	Writing and Signature Capture Capability
PC Link	USB or RS232

Software Feature :

Calibration	Fast full oriental 4 points position
Compensation	Edge compensation. Accuracy 25 points linearity compensation
Draw Test	Position and linearity verification
Controller	Support multiple controllers
Languages	English · Simple Chinese · Traditional Chinese · Japanese · French · German · Spanish · Korean · Arabic · Czech · Danish · Dutch · Greek · Hungarian · Italian · Norwegian · Russian · Polish · Portuguese · Slovenian · Swedish · Thai · Turkish
Mouse Emulator	Right / left button emulation. Auto Right / left Click (PDA function)
Touch Style	Drawing a Mode · button a Mode · Touch Off/ on Switch
Double Click	Configurable double click speed · Configurable double click area
Sound Modes	No sound · Touch down · Touch up
COM Port Support	COM1 ~ COM255 for Windows and Linux COM1 ~ COM8 for MS- DOS
Display Support	display rotation · Support multiple monitors
Support O.S	All Windows-32 bit O.S Windows7-8-10 ; XP-64 bit O.S MS-DOS ; A ll Linux ; MAC

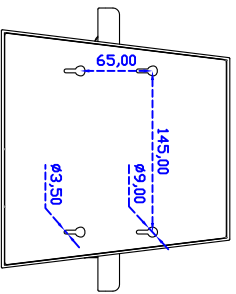
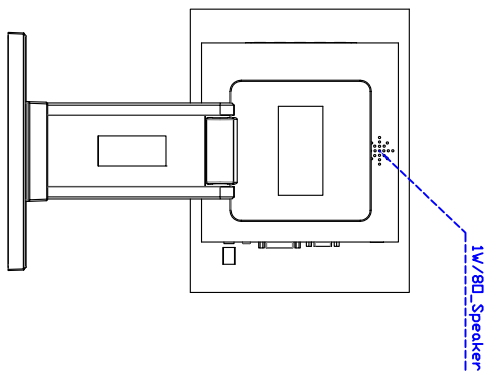
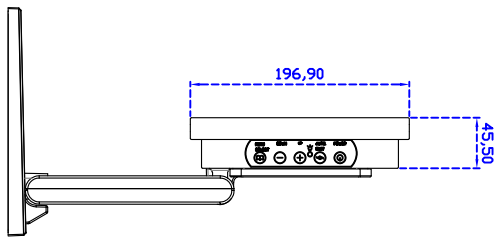
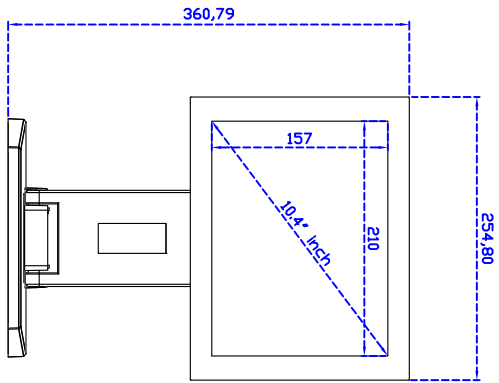
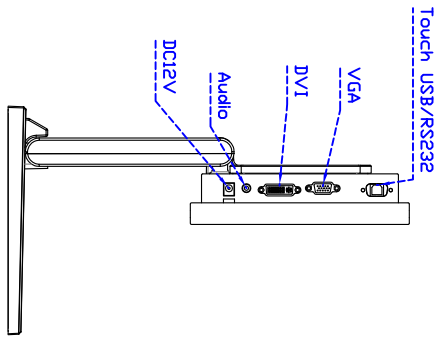
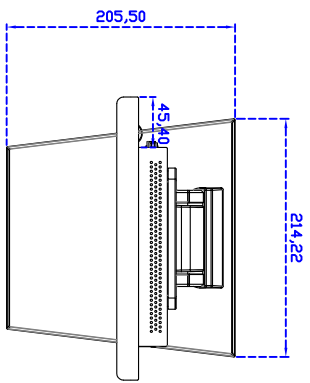
Order information :

AIM-TM5R104-R01A :	【VGA/AUDIO/DVI/USB-TOUCH】	AIM-TM5R104-R02A :	【VGA/AUDIO/DVI/RS232-TOUCH】
Accessory	VGA Cable/AC90~260V Adapter/Power Cable/Audio Cable/USB or RS232 Cable/Touch Pen/Cleaning wipes/		
	Driver Disk	※DVI Cable(Optional)	



3 Year Warranty
LCD Panel 1 Year





10.4" Desktop Touch Monitor.

AIM-TMxxxx104-R01A