

10.1" True Flat Projected capacitive Multi-Touch Monitor

Products application :

- POS Terminal
- Industrial PC
- Kiosk
- Gaming
- Medical apparatus
- Personal computer
- Mobile GPS
- Office automation
- Security system of the house
- Car-mounted amusement
- Military equipment
- Communicate



AIM-TMPCT101-R11W



AIM-TMOPPCT101-R11W

Order information :

Touch interface :

Mount type :

AIM-TMPCT101-R11W

USB

VESA (Without Stand)

AIM-TMOPPCT101-R11W

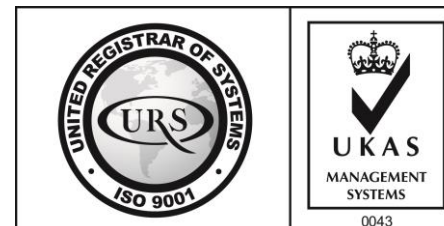
USB

VESA (Without Stand)

AIM-TMPCT101-R11W V

USB

POS Stand (0.8kg)



10.1" True Flat Projected capacitive Multi-Touch Monitor

Display Specifications :

Active Area	216 × 135 mm
Pixel Pitch	0.1695 × 0.1695 mm
Brightness	350 cd/m ²
Contrast Ratio	800 : 1
Resolution	1280 x 800 (WXGA)
Viewing Angle	L/R170° ; U/D170°
Response Time	25ms (Tr + Tf)
Display Colors	16.2M
Display Modes	640×480 ; 800×600 ; 1024×768 ; 1280×720 ; 1280×800
Signal input	VGA ; Audio ; Display Port ; HDMI
Speaker	1W (8Ω) × 1
OSD Keyboard	⊙Power ⊙Auto adjust ⊕ ⊖ ⊙Menu
Power Source	DC 12V (DC Jack Φ2.1mm)
Power Consumption	≤9w
Storage 、 Operation	-30~80°C ; -20~70°C
VESA	75×75 mm
Casing Colors	Black (OEM other colors)
Casing Size 、 Weight	249.4 × 168 × 46 mm ; 1.7 kg (W×H×D) (Without Stand)
Carton 、 gross weight	385 × 365 × 185 mm ; 3.1 kg (W×H×D)
Accessory	VGA cable / HDMI cable / Audio cable / AC90~260V Adapter / Power cable / USB cable / Cleaning wipes / Driver Disk ※DP cable (Optional)

※AiM Touch has the right to update specs without further notice



AIM-TMOPPCT101-R11W



10.1" True Flat Projected capacitive Multi-Touch Monitor

Touch Feature :

Input Method	Capacitive stylus, Finger
Linearity	≤2.5mm
Surface	≥7H
Life Time	Unlimited
Application	Writing and Signature Capture Capability

Software Feature :

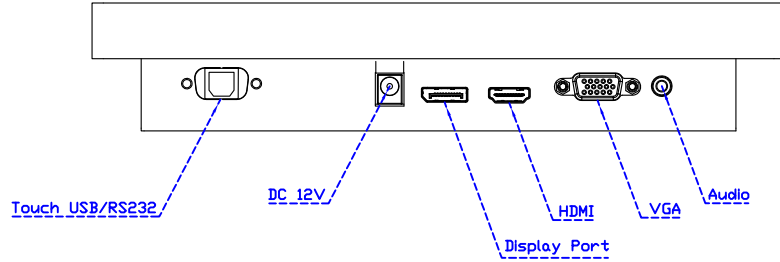
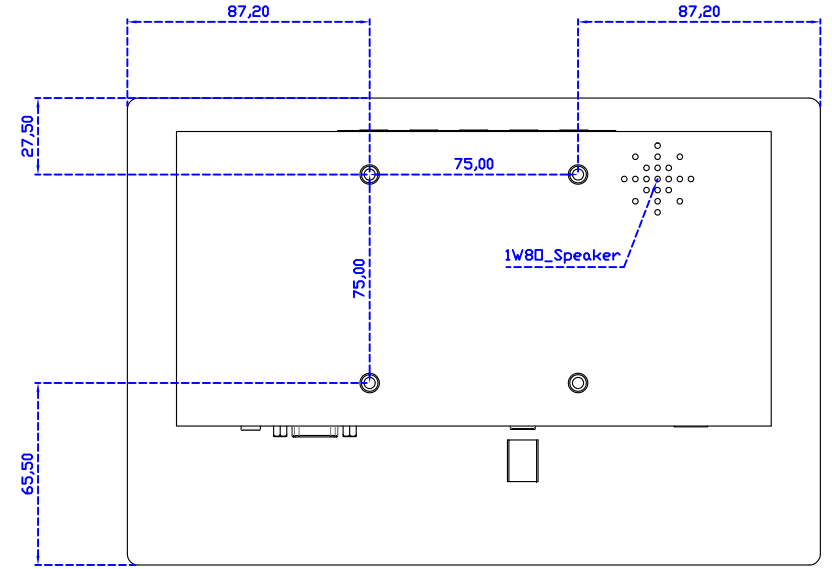
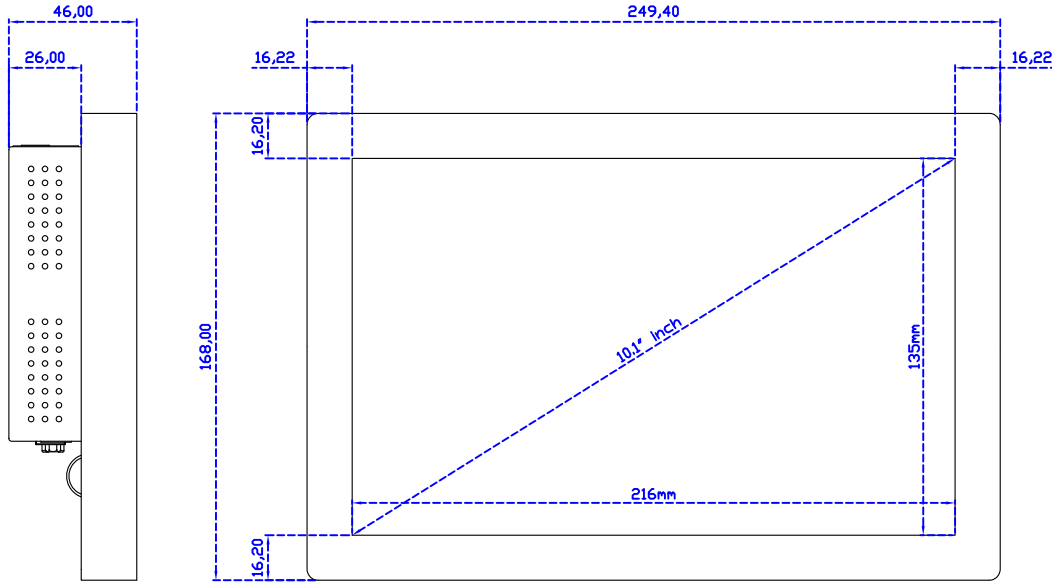
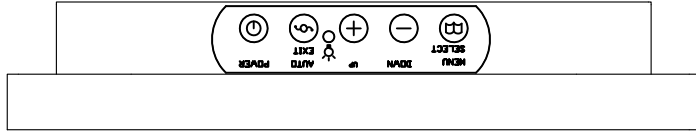
Draw Test	Position and linearity verification
Controller	Support multiple controllers
Languages	English · Simple Chinese · Traditional Chinese · Japanese · French · German · Spanish · Korean · Arabic · Czech · Danish · Dutch · Greek · Hungarian · Italian · Norwegian · Russian · Polish · Portuguese · Slovenian · Swedish · Thai · Turkish
Mouse Emulator	Right / left button emulation. Auto Right / left Click (PDA function)
Touch Style	Drawing a Mode · button a Mode · Touch Off/ on Switch
Double Click	Configurable double click speed · Configurable double click area
Sound Modes	No sound · Touch down · Touch up
Display Support	display rotation · Support multiple monitors
Division Pattern	Support two halves and four parts with touch function, you can also create your own division patterns.
Settings:	
Edge compensation	Support edge compensation and you can also add your own numbers for it.
Support O.S	All Windows-32/64bit O.S Android ; Linux ; MAC



AIM-TMPCT101-R11W V

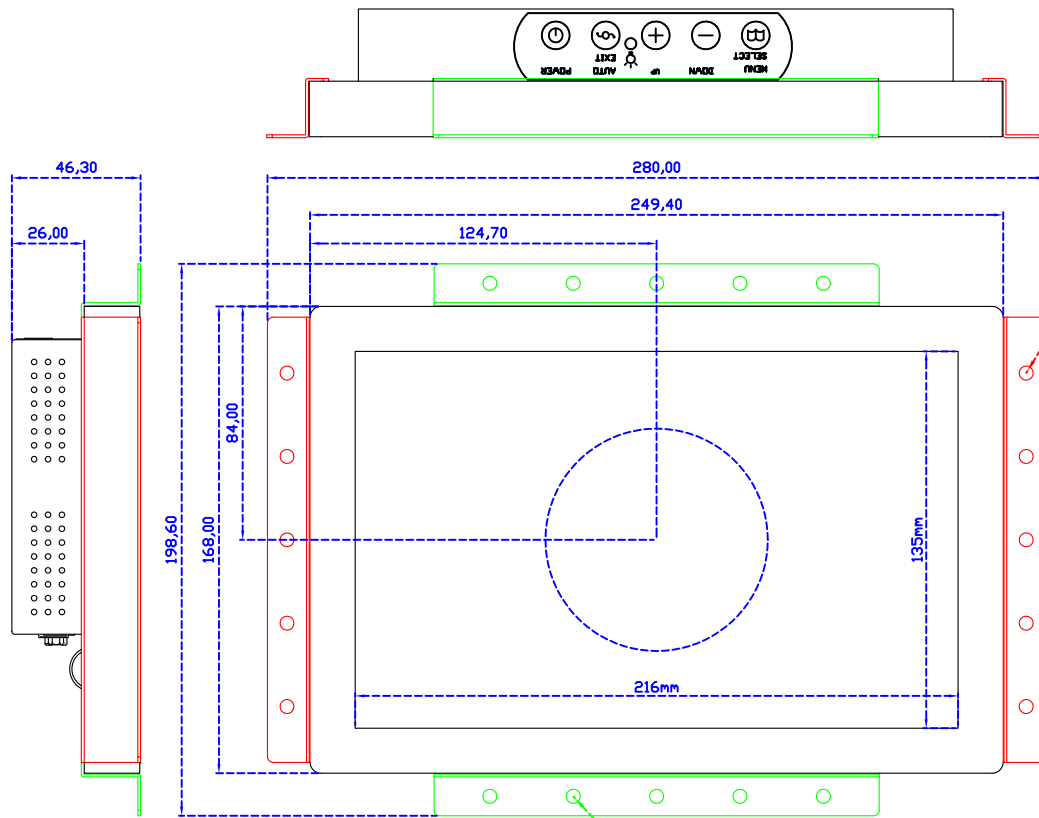


3 Year Warranty
LCD Panel 1 Year

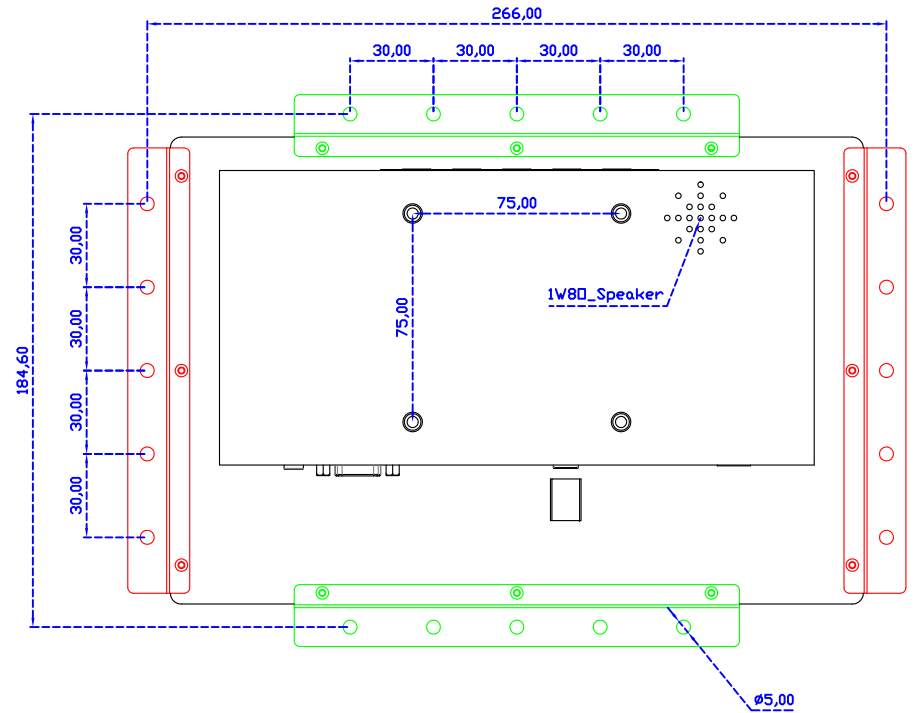


10.1" Embedded Touch Monitor.
(VESA Mount)

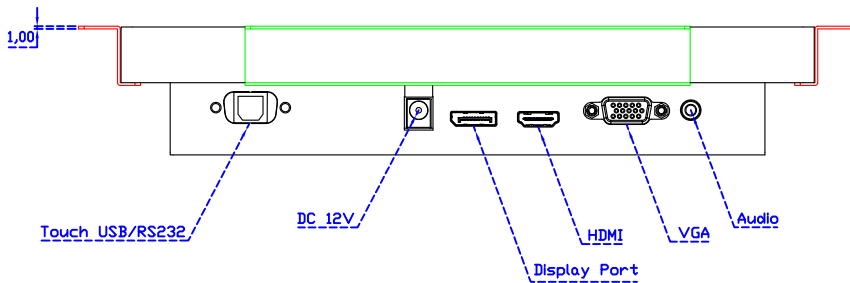
AIM-TMPCT101-R11W



X type mount (Default)

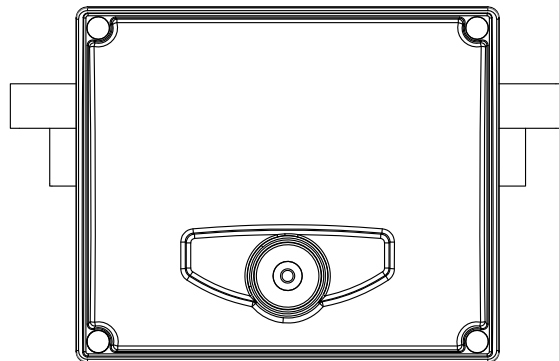
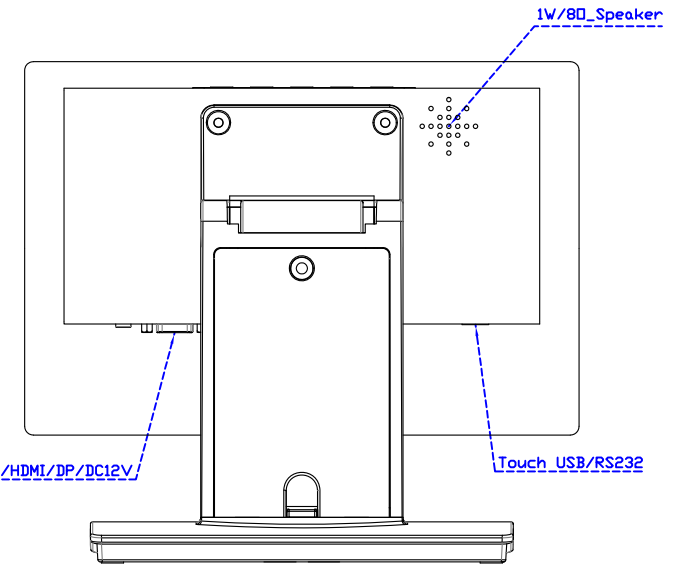
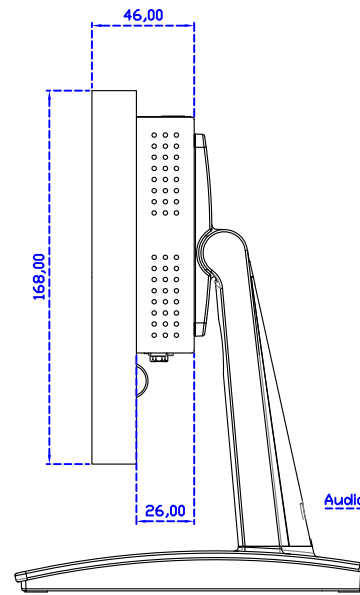
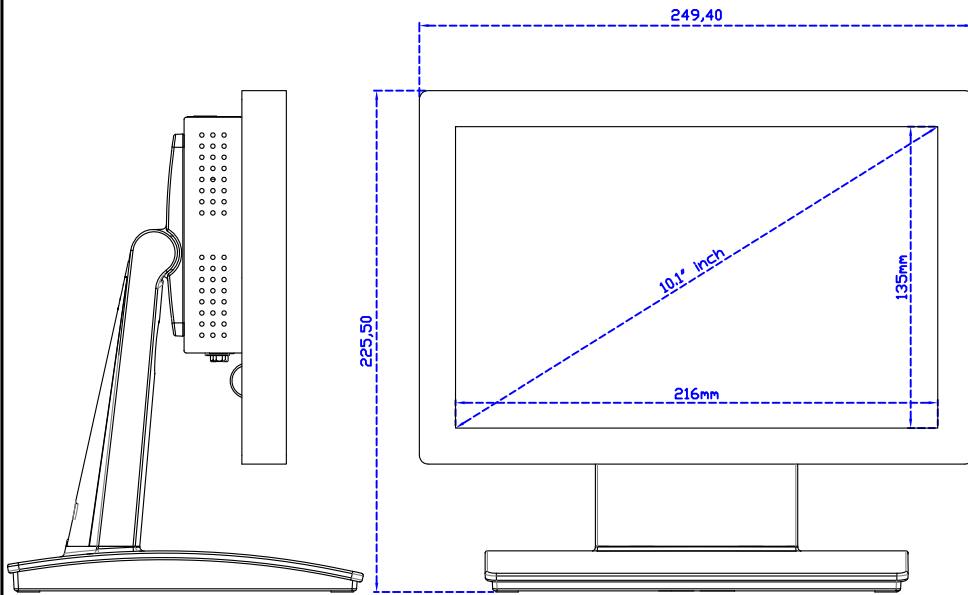
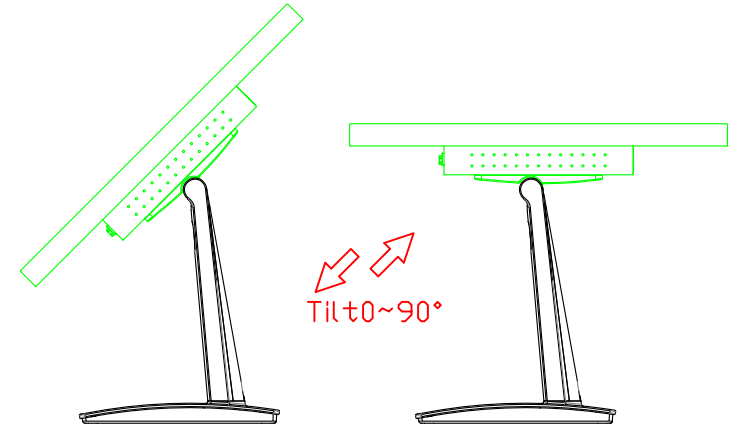
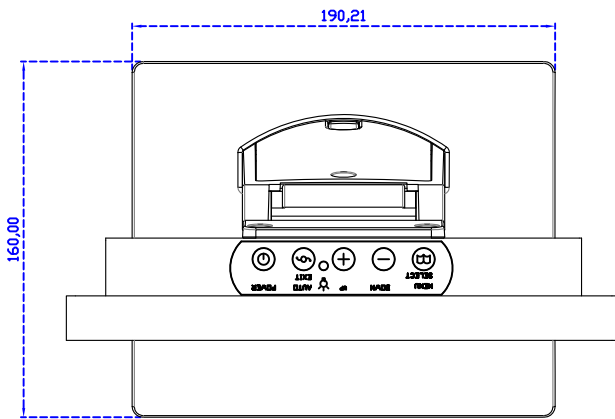


Y type mount (Option)



10.1" Embedded Touch Monitor.
(Open Frame)

AIM-TM0PPCT101-R11W



10.1" Desktop Touch Monitor.
(POS Stand)

AIM-TMPCT101-R11W V