

8.4" inch Embedded Touch Monitor

Products application :

- POS Terminal
- Industrial PC
- Kiosk
- Gaming
- Medical apparatus
- Personal computer
- Mobile GPS
- Office automation
- Security system of the house
- Car-mounted amusement
- Military equipment
- Communicate



8.4" inch Embedded Touch Monitor

Display Specifications :

Active Area	170 × 127 mm
Pixel Pitch	0.213 × 0.213 mm
Brightness	220 cd/m ²
Contrast Ratio	500 : 1
Resolution	800 x 600 (SVGA)
Viewing Angle	L/R160° ; U/D140°
Response Time	16 ms (Tr + Tf)
Display Colors	16.7M
Display Modes	640×480 ; 800×600
Signal input	VGA ; Audio
Mini-Audio out	1W (8Ω) × 1
OSD Keyboard	⊙ Menu/Select ⊙ - ⊙ + ⊙ Auto/Exit ⊙ Power
Power Source	DC 12V ; ≤8w ; Standby ≤1w
Power Consumption	
Storage / Operation	-30~80°C ; -20~70°C
VESA	75×75 mm
Casing Colors	Black
Casing Size / Weight	220 × 150 × 42 mm ; 1.5 kg (W×H×D)
Carton / gross weight	321 × 253 × 128 mm ; 2.8 kg (W×H×D)



Touch Feature :

Input Method	Finger, gloved hand, or stylus activation
Activation Force	≥ 50g
Linearity	≤ 1.5%
Surface	≥ 3H
Life Time	≤ 35,000,000
Application	Writing and Signature Capture Capability
PC Link	USB or RS232

Software Feature :

Calibration	Fast full oriental 4 points position
Compensation	Edge compensation. Accuracy 25 points linearity compensation
Draw Test	Position and linearity verification
Controller	Support multiple controllers
Languages	English / Simple Chinese / Traditional Chinese / Japanese / French / German / Spanish / Korean / Arabic / Czech / Danish / Dutch / Greek / Hungarian / Italian / Norwegian / Russian / Polish / Portuguese / Slovenian / Swedish / Thai / Turkish
Mouse Emulator	Right / left button emulation. Auto Right / left Click (PDA function)
Touch Style	Drawing a Mode / button a Mode / Touch Off/ on Switch
Double Click	Configurable double click speed / Configurable double click area
Sound Modes	No sound / Touch down / Touch up
COM Port Support	COM1 ~ COM255 for Windows and Linux COM1 ~ COM8 for MS- DOS
Display Support	display rotation / Support multiple monitors
Support O.S	All Windows-32 bit O.S Windows7-8-10 ; XP-64 bit O.S MS-DOS ; All Linux ; MAC

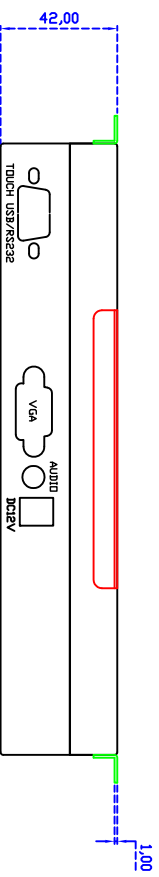
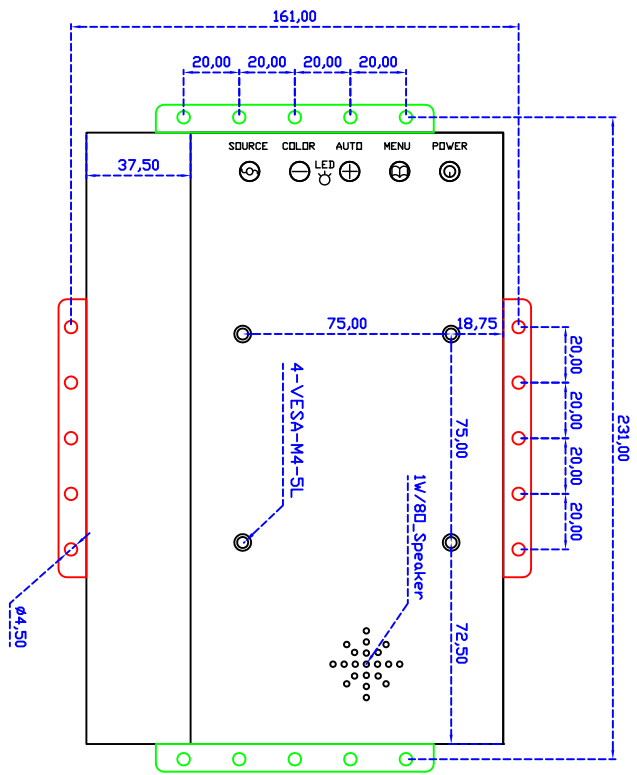
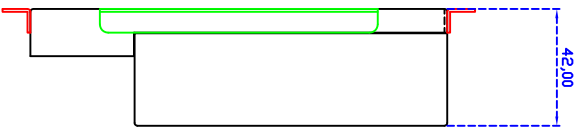
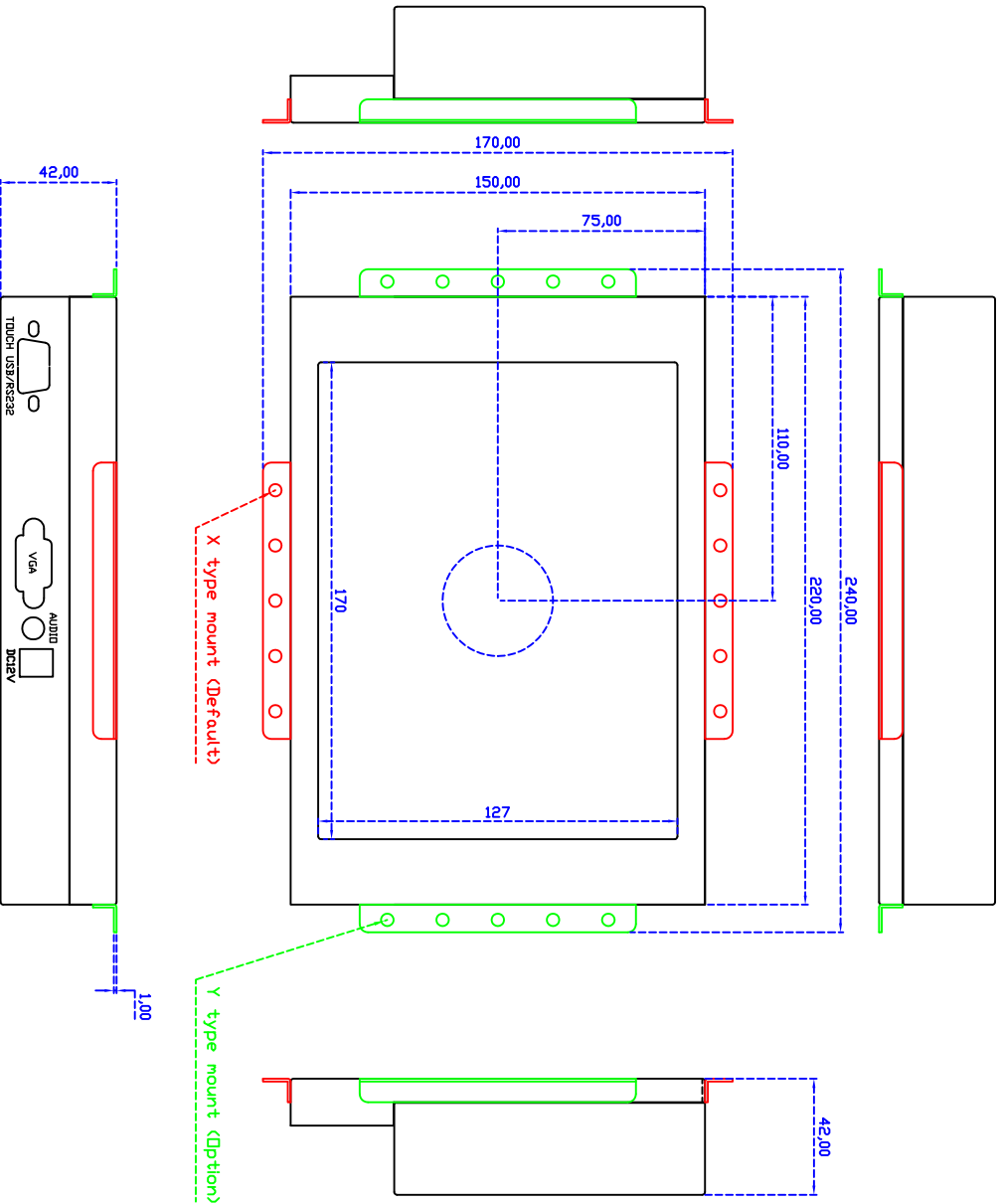
Order information :

AIM-TMOP5R084-R01 : 【VGA/AUDIO/USB-TOUCH】	AIM-TMOP5R084-R02 : 【VGA /AUDIO/RS232-TOUCH】
Accessory	VGA Cable/AC90~260V Adapter/Power Cable/ USB or RS232 Cable/AUDIO Cable/Touch Pen/ Cleaning wipes/Driver Disk



3 Year Warranty
LCD Panel 1 Year





8.4" Embedded Touch Monitor.

AIM-TM0Pxxxx084-R01