

8" Resistive Single Touch Monitor

Products application :

- POS Terminal
- Industrial PC
- Kiosk
- Gaming
- Medical apparatus
- Personal computer
- Mobile GPS
- Office automation
- Security system of the house
- Car-mounted amusement
- Military equipment
- Communicate



AIM-TM5R080-R05



AIM-TMOP5R080-R05

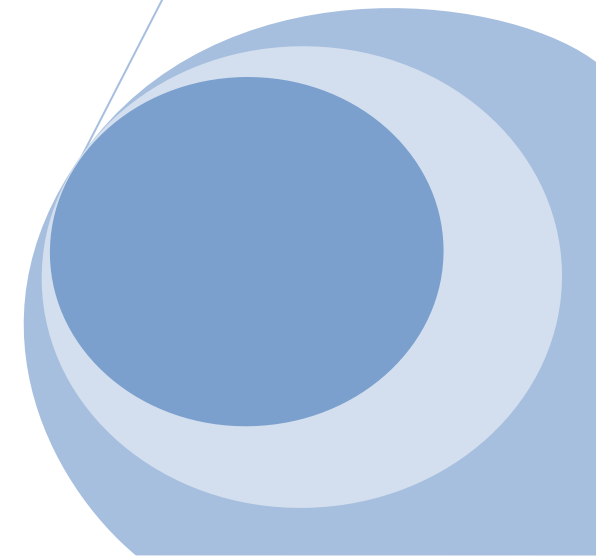
Order information :

Touch interface :

Mount type :

AIM-TM5R080-R05	USB	VESA (Without Stand)
AIM-TM5R080-R06	RS232	
AIM-TMOP5R080-R05	USB	Embedded (Open Frame)
AIM-TMOP5R080-R06	RS232	

AIM-TM5R080-R05V	USB	POS Stand (0.8kg)
AIM-TM5R080-R06V	RS232	



8" Resistive Single Touch Monitor

Display Specifications :

Active Area	162 × 121 mm
Pixel Pitch	0.05275 × 0.15825 mm
Brightness	300 cd/m ²
Contrast Ratio	700 : 1
Resolution	1024 x 768 (XGA)
Viewing Angle	L/R150° ; U/D150°
Response Time	10ms (Tr + Tf)
Display Colors	262K
Display Modes	640×480 ; 800×600 ; 1024×768
Signal input	HDMI*2
Speaker	1W (8Ω) × 1
OSD Keyboard	⊙Power ⊙Auto adjust ⊕ ⊖ ⊙Menu
Power Source	DC 12V (DC Jack Φ2.1mm)
Power Consumption	≤7w
Storage 、 Operation	-20~60°C ; -10~50°C
VESA	75×75 mm
Casing Colors	Black (OEM other colors)
Casing Size 、 Weight	187.8 × 145.8 × 35.5 mm ; 1.2 kg (W×H×D) (Without Stand)
Carton 、 gross weight	385 × 365 × 185 mm ; 2.2 kg (W×H×D)
Accessory	HDMI cable*1 / AC90~260V Adapter / Power cable / USB or RS232 cable / Touch pen / Cleaning wipes / Driver Disk

※AiM Touch has the right to update specs without further notice



AIM-TMOP5R080-R05



8" Resistive Single Touch Monitor

Touch Feature :

Input Method	Finger, gloved hand, or stylus activation
Activation Force	≤50g
Linearity	≤1.5%
Surface	≥3H
Life Time	≥35,000,000
Application	Writing and Signature Capture Capability

Software Feature :

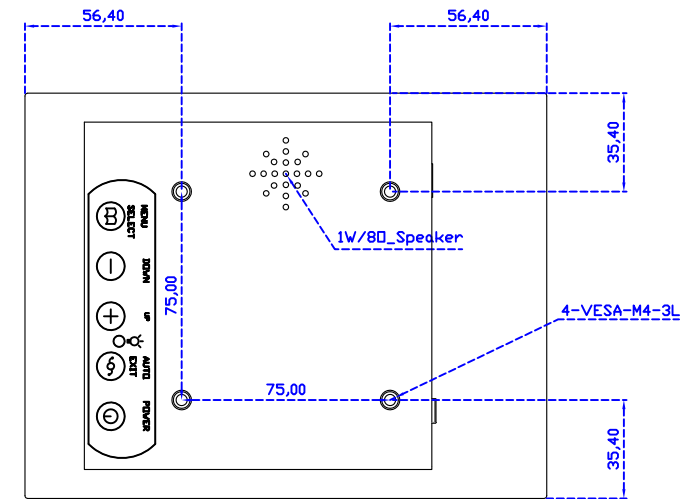
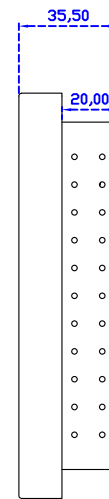
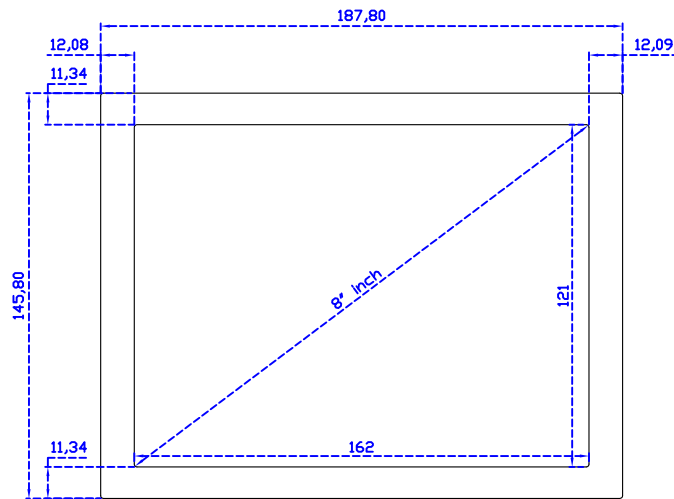
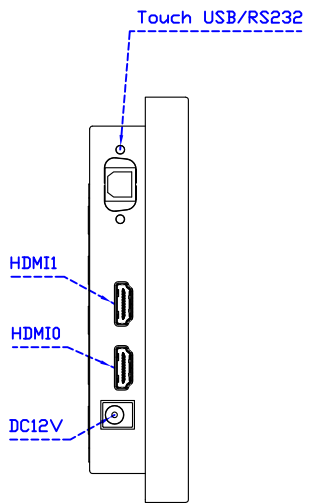
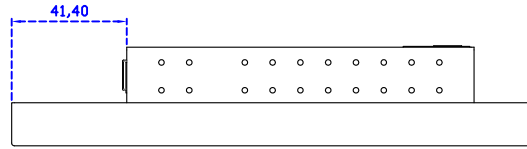
Calibration	Fast full oriental 4 points position
Compensation	Edge compensation. Accuracy 25 points linearity compensation
Draw Test	Position and linearity verification
Controller	Support multiple controllers
Languages	English · Simple Chinese · Traditional Chinese · Japanese · French · German · Spanish · Korean · Arabic · Czech · Danish · Dutch · Greek · Hungarian · Italian · Norwegian · Russian · Polish · Portuguese · Slovenian · Swedish · Thai · Turkish
Mouse Emulator	Right / left button emulation. Auto Right / left Click (PDA function)
Touch Style	Drawing a Mode · button a Mode · Touch Off/ on Switch
Double Click	Configurable double click speed · Configurable double click area
Sound Modes	No sound · Touch down · Touch up
COM Port Support	COM1 ~ COM255 for Windows and Linux COM1 ~ COM8 for MS- DOS
Display Support	display rotation · Support multiple monitors
Support O.S	All Windows-32/64bit O.S Android ; Linux ; MAC



AIM-TM5R080-R05V

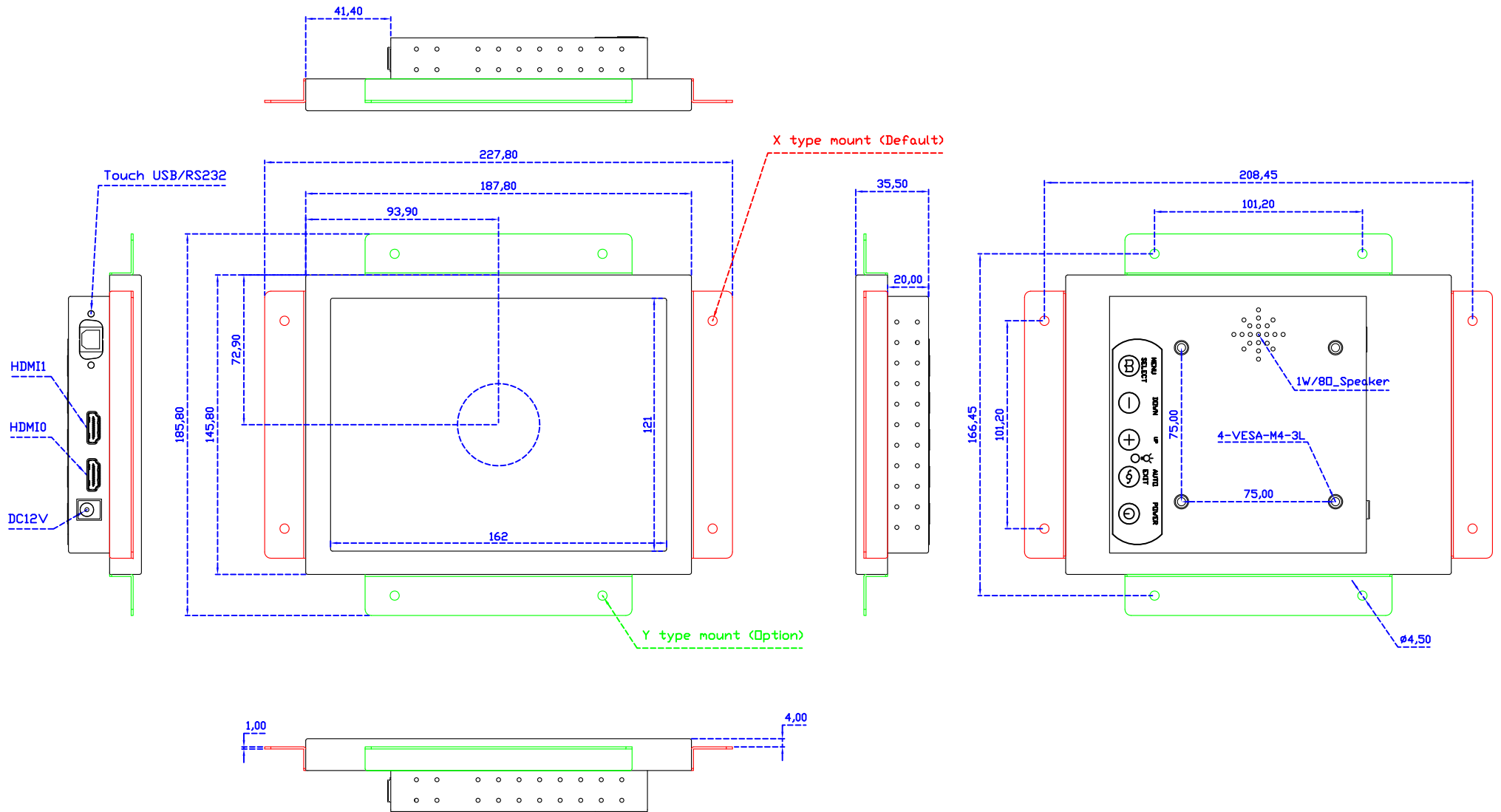


3 Year Warranty
LCD Panel 1 Year



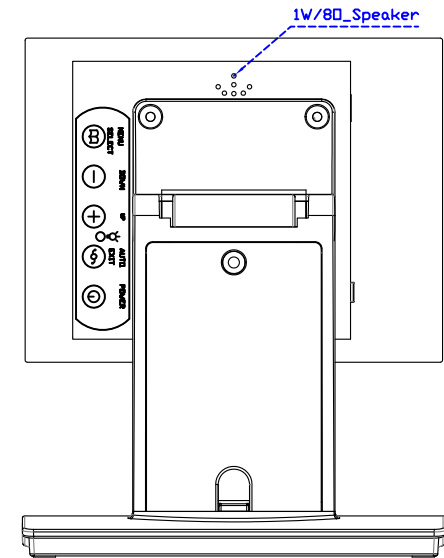
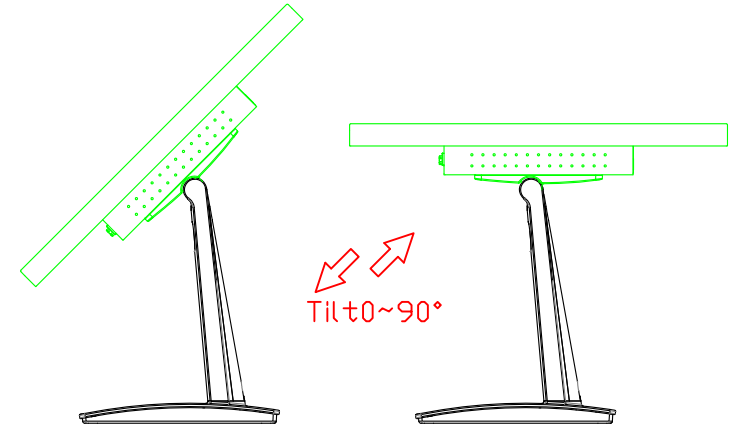
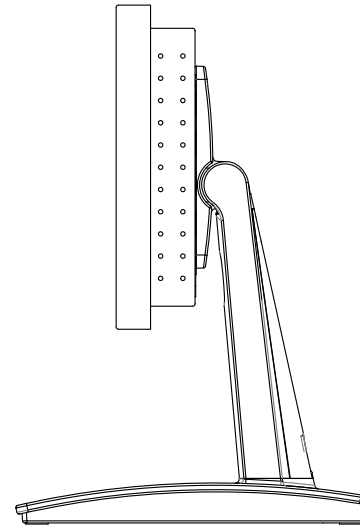
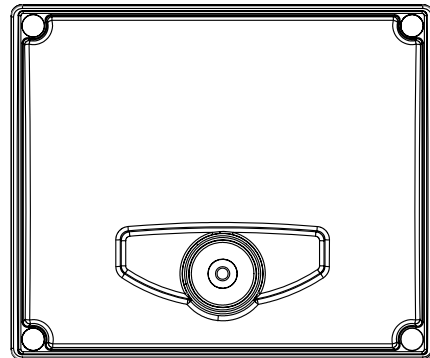
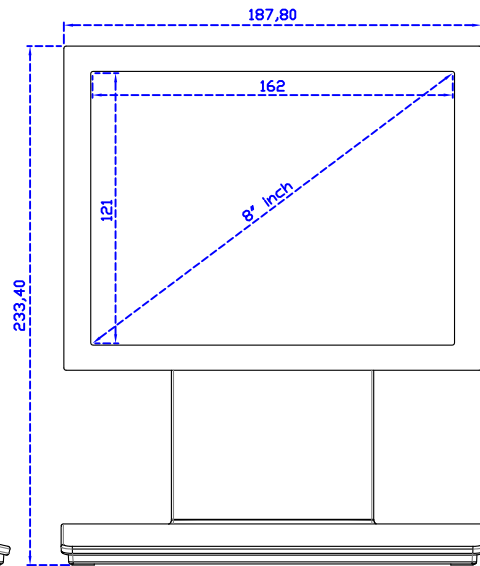
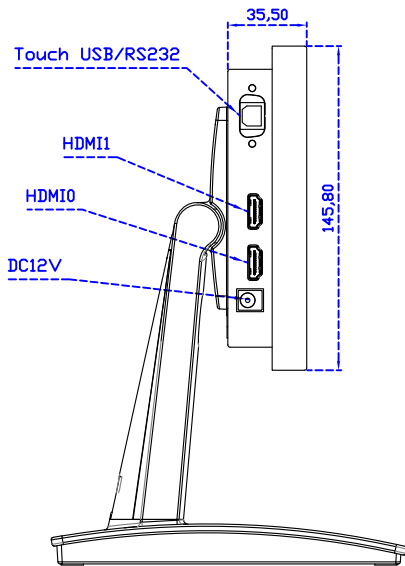
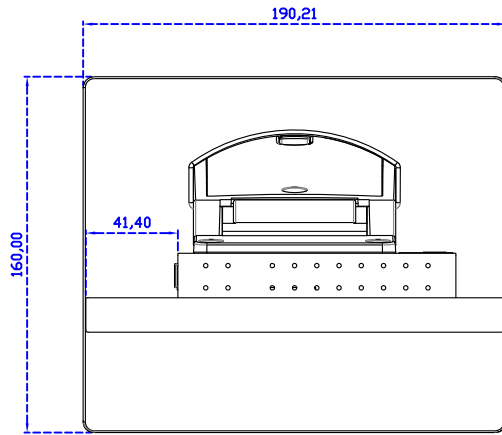
8" Touch Monitor.
(VESA Mount)

AIM-TMxxx080-R05



8" Embedded Touch Monitor,
(Open Frame)

AIM-TM0Pxxxx080-R05



8" Desktop Touch Monitor.
(POS Stand)

AIM-TMxxx080-R05 V