

7" inch Embedded Touch Monitor

Products application :

- POS Terminal
- Industrial PC
- Kiosk
- Gaming
- Medical apparatus
- Personal computer
- Mobile GPS
- Office automation
- Security system of the house
- Car-mounted amusement
- Military equipment
- Communicate



7" inch Embedded Touch Monitor

Display Specifications :

Active Area	154 × 85 mm
Pixel Pitch	0.1506 × 0.1432 mm
Brightness	500 cd/m ²
Contrast Ratio	800 : 1
Resolution	1024 × 600 (WXGA)
Viewing Angle	L/R 150° ; U/D145°
Response Time	12.5 ms (Tr + Tf)
Display Colors	262K
Display Modes	640×480 ; 800×600 ; 1024×600
Signal input	VGA ; Audio
Audio	1W (8Ω) ×1
OSD Keyboard	⊙Menu/Select ⊖ ⊕ ⊙Auto/Exit ⊙Power
Power Source	DC 12V ; ≤8w ; Standby ≤1w
Power Consumption	
Storage · Operation	-30~80°C ; -20~70°C
VESA	75×75 mm
Casing Colors	Black
Casing Size · Weight	172.88 × 109.52 × 47 mm ; 1 kg (W×H×D)
Carton · gross weight	321 × 253 × 128 mm ; 2.3 kg (W×H×D)



Touch Feature :

Input Method	Finger, gloved hand, or stylus activation
Activation Force	≥ 50g
Linearity	≤ 1.5%
Surface	≥ 3H
Life Time	≤ 35,000,000
Application	Writing and Signature Capture Capability
PC Link	USB or RS232

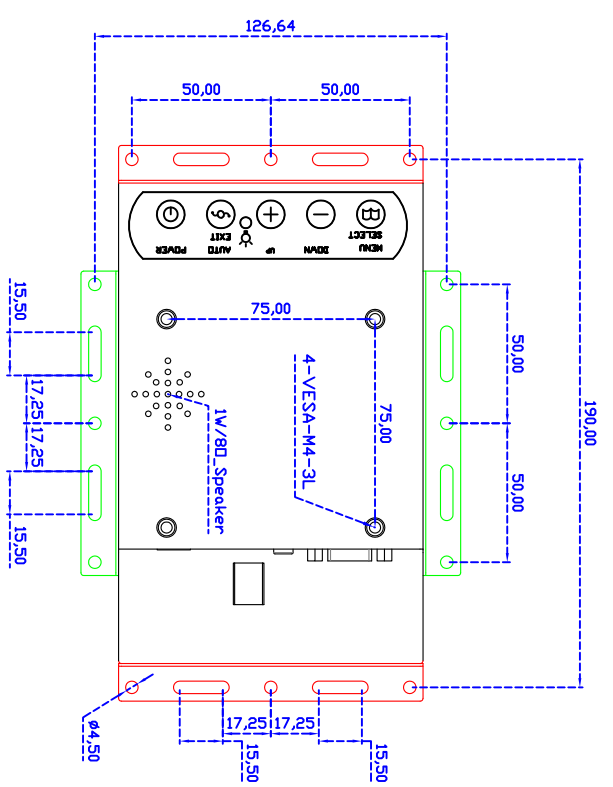
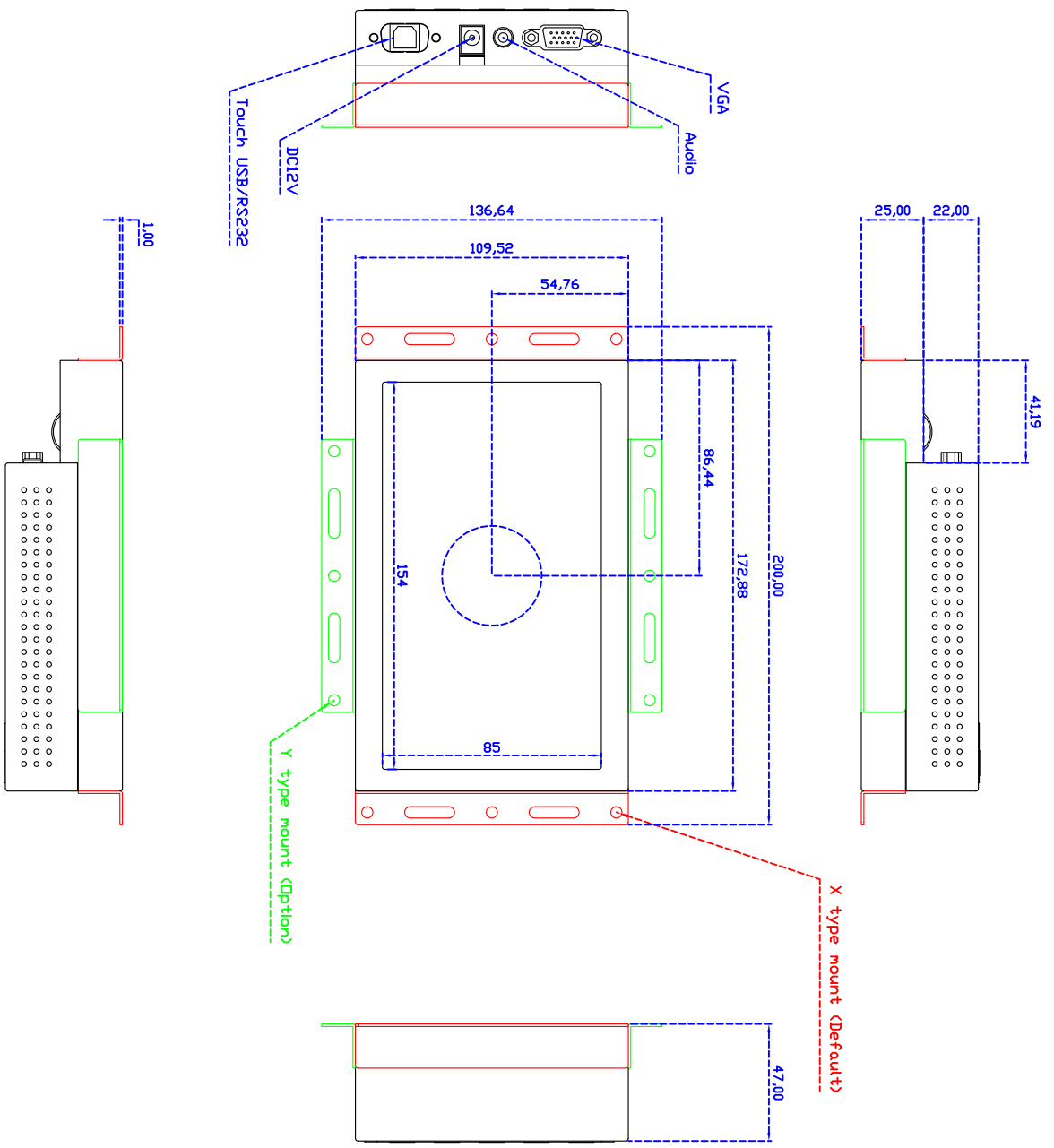
Software Feature :

Calibration	Fast full oriental 4 points position
Compensation	Edge compensation. Accuracy 25 points linearity compensation
Draw Test	Position and linearity verification
Controller	Support multiple controllers
Languages	English · Simple Chinese · Traditional Chinese · Japanese · French · German · Spanish · Korean · Arabic · Czech · Danish · Dutch · Greek · Hungarian · Italian · Norwegian · Russian · Polish · Portuguese · Slovenian · Swedish · Thai · Turkish
Mouse Emulator	Right / left button emulation. Auto Right / left Click (PDA function)
Touch Style	Drawing a Mode · button a Mode · Touch Off/ on Switch
Double Click	Configurable double click speed · Configurable double click area
Sound Modes	No sound · Touch down · Touch up
COM Port Support	COM1 ~ COM255 for Windows and Linux COM1 ~ COM8 for MS- DOS
Display Support	display rotation · Support multiple monitors
Support O.S	All Windows-32 bit O.S Windows7-8-10 ; XP-64 bit O.S MS-DOS ; All Linux ; MAC

Order information :

AIM-TMOP5R070-R15W :	【VGA/AUDIO/USB-TOUCH】	AIM-TMOP5R070-R16W :	【VGA/AUDIO/RS232-TOUCH】
Accessory	VGA Cable/AC90~260V Adapter/Power Cable/USB or RS232 Cable/Audio Cable/		
	Touch Pen/Cleaning wipes/Driver Disk		





7" Embedded Touch Monitor.

AIM-TM0Pxxxx070-R05W/R15W