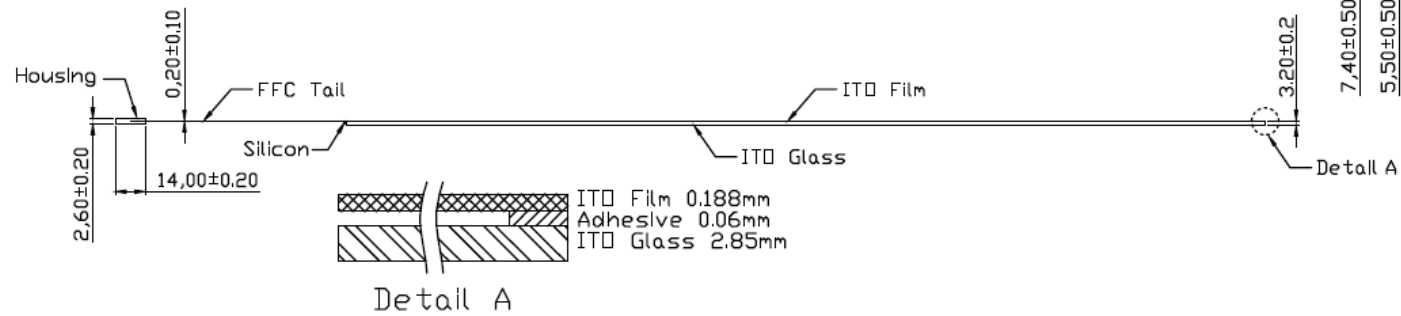
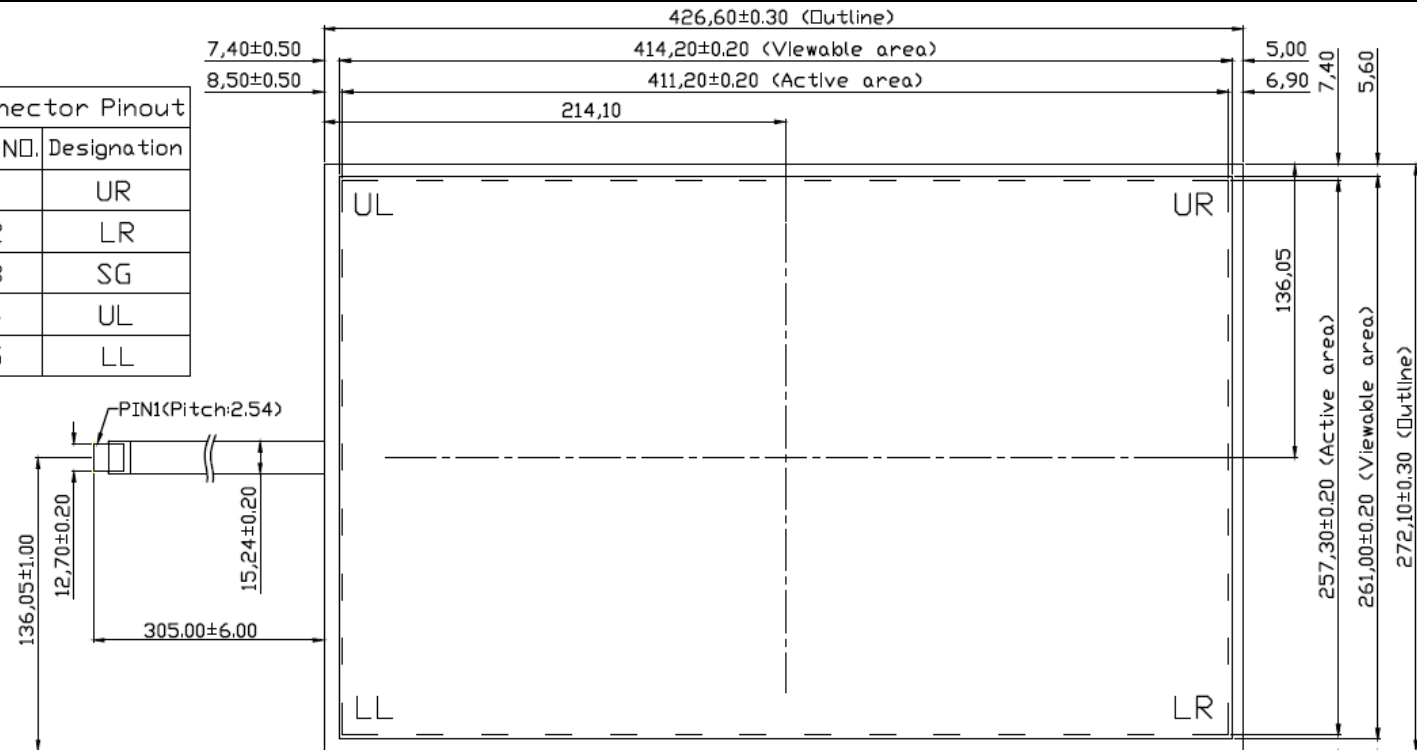



Connector Pinout	
Pin NO.	Designation
1	UR
2	LR
3	SG
4	UL
5	LL



瞄準科技有限公司 AIM TOUCH TECHNOLOGY CO.,LTD.	DATE : 2013/03/05	Part Number	ITO Film Type	Glass Type	Glass Thickness	Finished Part Thickness
	MODEL :	AIM-5R-1900-M02-G2N	ANTI GLARE	high temperature strengthen	1.85mm	2.2mm±0.2
 WWW.AIMTOUCH.COM	AIM-5R-1900-M02	AIM-5R-1900-M02-G25N	ANTI GLARE	chemical strengthen	2.5mm	2.8mm±0.2
		AIM-5R-1900-M02-G3N	ANTI GLARE	high temperature strengthen	2.85mm	3.2mm±0.2

NOTE : All indications are the millimeters.