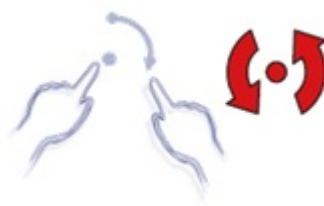
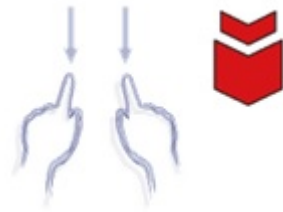


19" inch Embedded Touch Monitor (Infrared Ray Multi-Touch)

Products application :

- POS Terminal
- Industrial PC
- Kiosk
- Gaming
- Medical apparatus
- Personal computer
- Mobile GPS
- Office automation
- Security system of the house
- Car-mounted amusement
- Military equipment
- Communicate



19" inch Embedded Touch Monitor (Infrared Ray Multi-Touch)

Display Specifications :

| | |
|-----------------------|---|
| Active Area | 376 × 301 mm |
| Pixel Pitch | 0.294 × 0.294 mm |
| Brightness | 250 cd/m ² |
| Contrast Ratio | 1000 : 1 |
| Resolution | 1280 × 1024 (SXGA) |
| Viewing Angle | L/R 170° ; U/D 160° |
| Response Time | 5 ms (Tr + Tf) |
| Display Colors | 16.7M |
| Display Modes | 640×480 ; 800×600 ; 1024×768 ; 1280×1024 |
| Signal input | 15 Pin D_Sub ; Mini-Audio in ; DVI |
| Mini-Audio out | 1W (8Ω) × 2 |
| OSD Keyboard | ⊙ Menu/Select ⊙ - ⊙ + ⊙ Auto/Exit ⊙ Power |
| Power Source | DC 12V ; ≤16w ; Standby ≤1w |
| Power Consumption | |
| Storage \ Operation | -20~60°C ; 0~50°C |
| VESA | 75×75 or 100×100 mm |
| Casing Colors | Black |
| Casing Size \ Weight | 449 × 344 × 52 mm ; 4.8kg (W×H×D) |
| Carton \ gross weight | 550 × 400 × 180 mm ; 6.3kg (W×H×D) |



Touch Feature :

| | |
|--------------|--|
| Input Method | It detects anything that blocks lights |
| Linearity | ≤2.5mm |
| Surface | ≥7H |
| Life Time | Unlimited |
| Application | Writing and Signature Capture Capability |
| PC Link | USB or RS232(Single-Touch) |

Software Feature :

| | |
|----------------------------|--|
| Calibration | 4 points or 16 points or 25 points |
| Draw Test | Position and linearity verification |
| Controller | Support multiple controllers |
| Languages | English \ Simple Chinese \ Traditional Chinese \ Japanese \ German |
| Mouse Emulator | Right / left button emulation. Auto Right / left Click (PDA function) |
| Touch Style | Drawing a Mode \ button a Mode \ Hide cursor |
| Double Click | Configurable double click speed \ Configurable double click area |
| Sound Modes | No sound \ Touch down \ Touch up |
| Display Support | display rotation \ Support multiple monitors |
| Division Pattern Settings: | Support two halves and four parts with touch function, you can also create your own division patterns. |
| Edge compensation | Support edge compensation and you can also add your own numbers for it. |
| Support O.S | All Windows-32 bit O.S Windows7-8-10 ; XP-64 bit O.S Android ; A II Linux ; MAC |

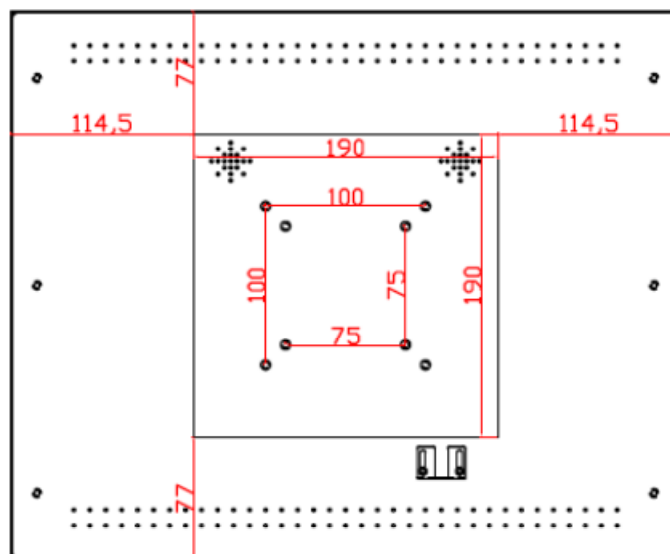
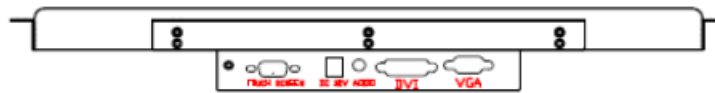
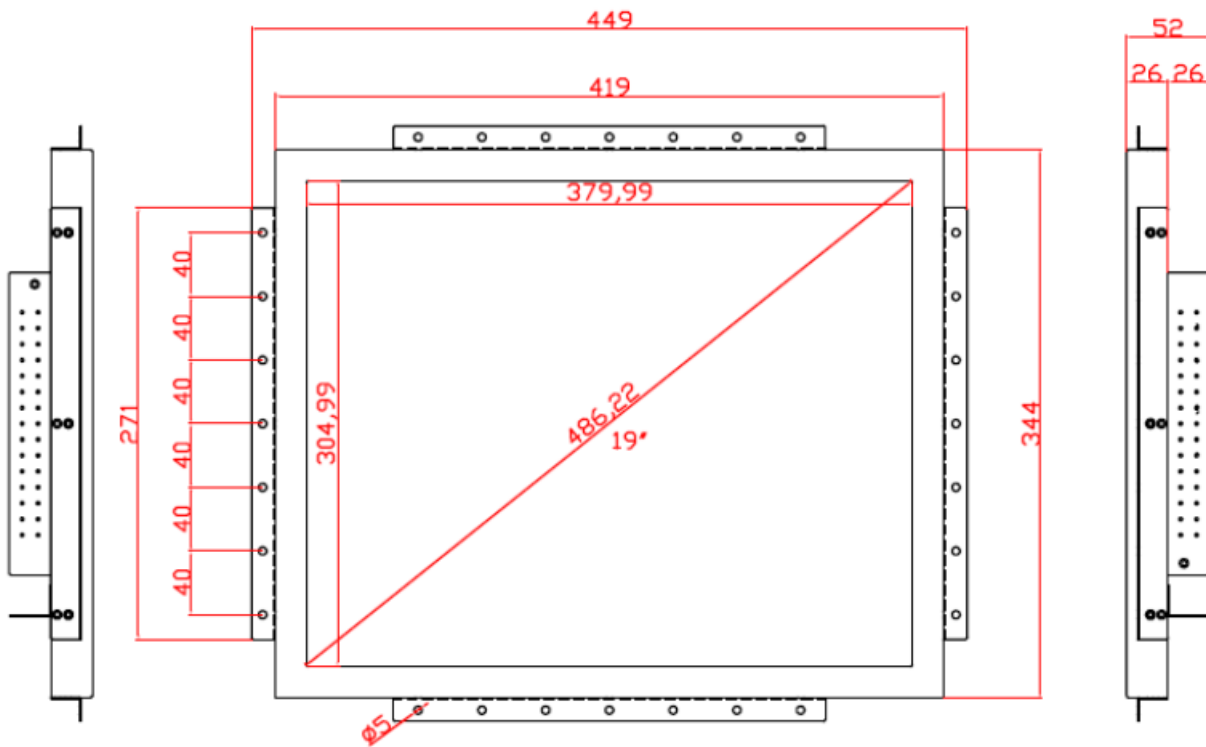
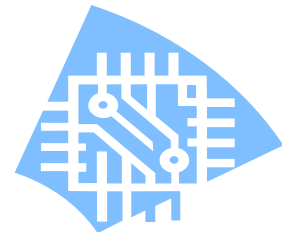


Order Information :

| | | | |
|---------------------|---|---------------------|-----------------------------|
| AIM-TMOPIR190-R05 : | 【VGA/DVI/AUDIO/USB-TOUCH】 | AIM-TMOPIR190-R06 : | 【VGA/DVI/AUDIO/RS232-TOUCH】 |
| Accessory | VGA Cable/Audio Cable/Power Cable/AC90~260V Adapter/USB or RS232 Cable/Cleaning wipes/Driver Disk | | |
| | ※DVI Cable(Optional) | | |



Dimensions :



NOTE:
ALL DIMENSIONS ARE IN MILL METERS